



classe 10



The new standard in espresso machine manufacturing



Versions

2, 3, 4 groups **SDE** (automatic dosage control)
2, 3, 4 groups **S** (manual dosage control)

Available in *metallic-grey and aluminum* or *metallic-champagne and gold* color

Rancilio macchine per caffè spa
viale della Repubblica 40
20010 Villastanza di Parabiago
Milano, Italy
tel 39 0331 408200
fax 39 0331 551437
info@rancilio.it

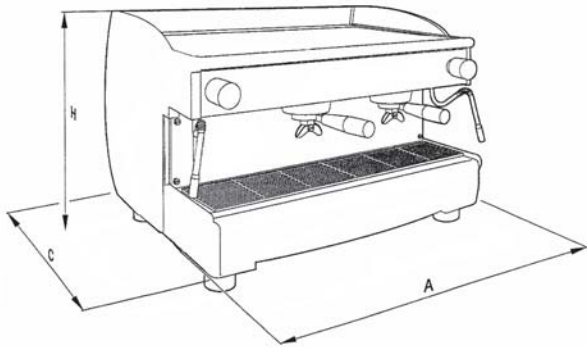
 **RANCILIO**
macchine per caffè

www.rancilio.com

Rancilio North America
8102 S. Lemont Road #1400
Woodridge, IL 60517
U.S.A.
tel (877)726-2454
fax (630)493-4265
info@rancilio-na.com



classe 10



Groups	Boiler Size (liters)	Voltage/ Amps	Element (Watts)	Colors	Weight (lbs)	Width (A) in	Depth (C) in	Height (H) in
2	11	220/20	4300	Grey/ Aluminum; Champagne/ Gold	200	31"	22"	21"
3	16	220/30	6000	Grey/ Aluminum; Champagne/ Gold	245	41"	22"	21"
4	22	220/30	6000	Grey/ Aluminum; Champagne/ Gold	295	50"	22"	21"

FEATURES



Electric Heating

Pump Pressure Gauge

Steam Pressure Gauge

Built-In Rotary Pump

Automatic Water Level Control

Independent Heat Exchangers

Low Voltage (24V) Dispensing Controls

Front panel opens to reveal hidden controls

Entire body is constructed of aluminum

On-Board Computer Functions:

Automatic Clean program

Programmable Electronic Pre-Infusion

Multifunctional Display

Programmable weekly calendar mode to turn on and off at desired times

SEQ(standard espresso quality): Machine alerts the barista if the dispensing is not correct

Optional TS extended steam wand heats the liquid while displaying the temperature and stopping either at a preset temperature or manually

Reminders tell you to regenerate the water softener (or change the water filter) and when it is time for a check-up

Rancilio macchine per caffè spa
viale della Repubblica 40
20010 Villastanza di Parabiago
Milano, Italy
tel 39 0331 408200
fax 39 0331 551437
info@rancilio.it

 **RANCILIO**
macchine per caffè

www.rancilio.com

Rancilio North America
8102 S. Lemont Road #1400
Woodridge, IL 60517
U.S.A.
tel (877)726-2454
fax (630)493-4265
info@rancilio-na.com