



epoca



A technologically innovative product, combining electronics with traditional components for higher performance



Versions

DE2 (automatic dosage control)
S2 (manual dosage control)

E1 (automatic dosage control)
S1 (manual dosage control)
S1-TANK (manual dosage control)

All models are available in orange or charcoal grey color

Rancilio macchine per caffè spa
viale della Repubblica 40
20010 Villastanza di Parabiago
Milano, Italy
tel 39 0331 408200
fax 39 0331 551437
info@rancilio.it



RANCILIO

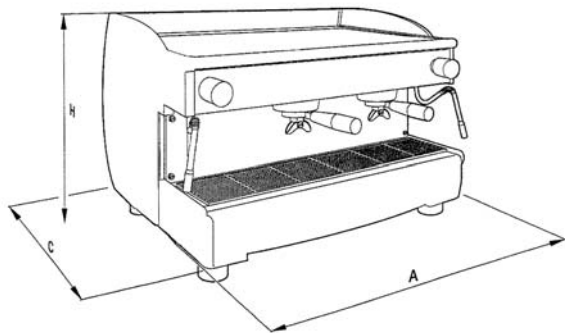
macchine per caffè

www.rancilio.com

Rancilio North America
8102 S. Lemont Road #1400
Woodridge, IL 60517
U.S.A.
tel (877)726-2454
fax (630)427-1713
info@rancilio-na.com



epoca



Groups	Boiler Size (liters)	Voltage/ Amps	Element (Watts)	Colors	Weight (lbs)	Width (A) in	Depth (C) in	Height (H) in
1	3.9	110/15	1600	Orange; Charcoal-Grey	75	15"	22"	19"
2	11	220/20	4000	Orange; Charcoal-Grey	121	31"	22"	19"

FEATURES



EPOCA DE2, S2

Independent heat exchangers

Built-in volumetric pump

Pressure gauge control

Innovative automatic water level control

Water tank electronic temperature control

Low-voltage operation control

Machine body is now rust-proof and scratch-proof and age-resistant. Base and sides made of HDPE and ABS Plastics utilizing a tubular steel frame

Stainless steel work surface and cup storage

EPOCA E1, S1, S1-TANK

Built-in volumetric pump (S1-TANK model uses a vibration pump)

Pressure gauge control

Innovative automatic water level control

Machine body is now rust-proof and scratch-proof and age-resistant. Base and sides made of HDPE and ABS Plastics utilizing a tubular steel frame

Stainless steel work surface and cup storage

Rancilio macchine per caffè spa
viale della Repubblica 40
20010 Villastanza di Parabiago
Milano, Italy
tel 39 0331 408200
fax 39 0331 551437
info@rancilio.it

 **RANCILIO**
macchine per caffè

www.rancilio.com

Rancilio North America
8102 S. Lemont Road #1400
Woodridge, IL 60517
U.S.A.
tel (877)726-2454
fax (630)427-1713
info@rancilio-na.com