


CWTF-DV-3 (2U/1L Warmer)

18.9" x 21.5" x 8.4"
(48.0cm x 54.6cm x 21.3cm)

- All stainless steel construction
- Hot water faucet (requires active plumbing connection)
- Pourover feature
- SplashGard® funnel deflects hot liquids away from the hand
- PROP 65 Warning Decal included in packaging with equipment
- Servers not included unless otherwise noted



Agency:

 Server(s) sold separately

Specifications

Product #: 12950.0410

Warmers: Two Upper/ One Lower

Water Access: Plumbed

Finish: Stainless

Funnel: Stainless Steel

Faucet: Upper

Additional Features

Pourover Option

Electrical & Capacity

Volts	Amps	Watts	Cord Attached	Plug Type	8oz cups/hr 236ml cups/hr	Input H ₂ O Temp.	Phase	# Wires plus Ground	Hertz
120	13.9	1670	No	-	62	60°F (15.5°C)	1	2	60
120/208	14	2640	-	N/A	107	60°F (15.5°C)	1	3	60
120/240	16	3400	-	N/A	120	60°F (15.5°C)	1	3	60

Plumbing Requirements

PSI	kPa	Fitting Supplied	Water Flow Required (GPM)
20-90	138-621	1/4" Male Flare Fitting	-

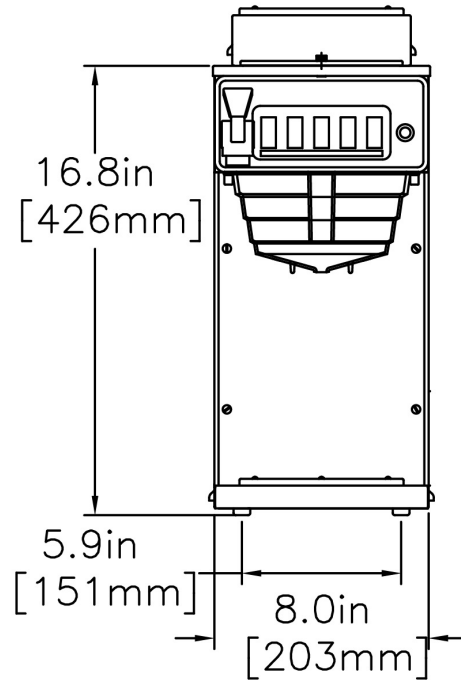
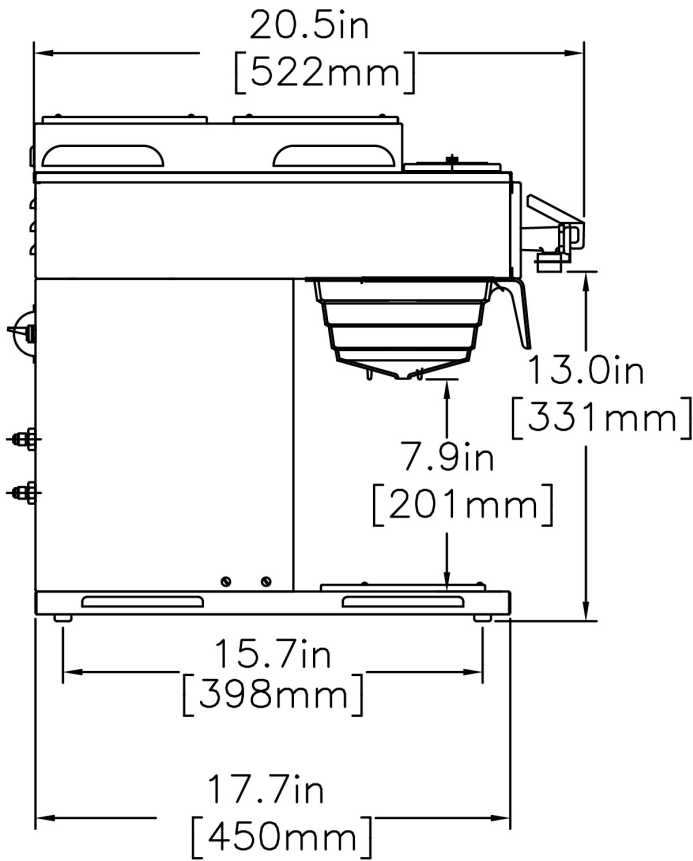
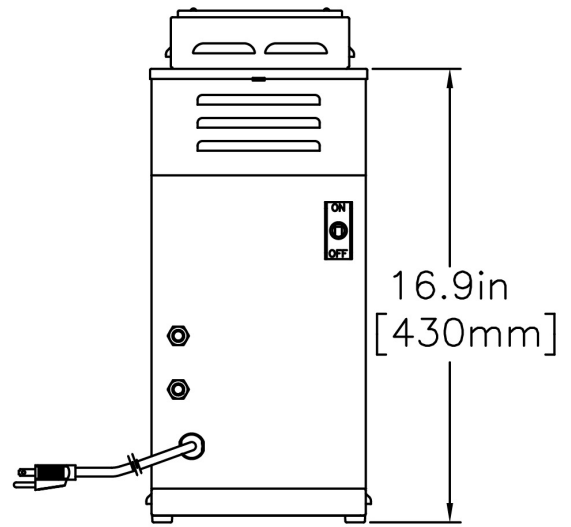
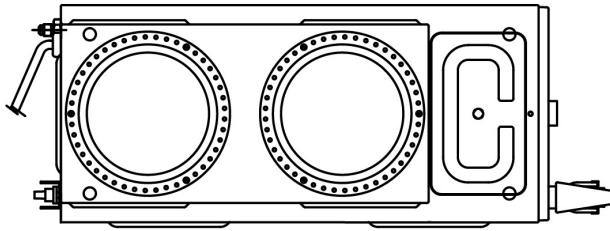
CAD Drawings

2D	Revit	KLC
●		



BUNN® reserves the right to change specifications and product design without notice. Such revisions do not entitle the buyer to corresponding changes, improvements, additions or replacements for previously purchased equipment. For most current specifications and other info visit bunn.com.

Created on:
07/18/2019



	Unit			Shipping				
	Width	Height	Depth	Width	Height	Depth	Weight	Volume
English	8.4 in.	18.9 in.	21.5 in.	11.9 in.	22.5 in.	25.9 in.	34.150 lbs	5.440 ft ³
Metric	21.3 cm	48.0 cm	54.6 cm	30.2 cm	57.2 cm	65.8 cm	15.490 kgs	0.154 m ³



BUNN® reserves the right to change specifications and product design without notice. Such revisions do not entitle the buyer to corresponding changes, improvements, additions or replacements for previously purchased equipment. For most current specifications and other info visit bunn.com.

Created on:
07/18/2019

Related Products & Accessories: CWTF-DV-3 (2U/1L Warmer)(12950.0410)



FILTERS,REGULAR1M
500/2 50/CL

Product #: 20115.0000



FUNNEL ASSY, SST-BLK
HDL(7.12

Product #: 20216.0000



WATER FILTER
SYSTEM,EQ-17-TL

Product #: 30200.1000



WATER FILTER,IN LINE
ED-17-TL

Product #: 30201.1001



BUNN® reserves the right to change specifications and product design without notice. Such revisions do not entitle the buyer to corresponding changes, improvements, additions or replacements for previously purchased equipment. For most current specifications and other info visit bunn.com.

Created on:
07/18/2019

Serving & Holding Options: CWTF-DV-3 (2U/1L Warmer)(12950.0410)

 <p>EASY POUR®,(BLK) 1/CS Product #:06100.0101</p>	 <p>EASY POUR®,(BLK) 2/CS Product #:06100.0102</p>	 <p>EASY POUR®,(BLK) 3/CS Product #:06100.0103</p>	 <p>EASY POUR®,(BLK) 6/CS Product #:06100.0106</p>	 <p>EASY POUR®,(BLK) 12/CS Product #:06100.0112</p>
 <p>EASY POUR®,(BLK) 24/CS Product #:06100.0124</p>	 <p>EASY POUR®,(BLK) 6-1/2 CS Product #:06100.0156</p>	 <p>EASY POUR®,(ORN) 1/CS Product #:06101.0101</p>	 <p>EASY POUR®,(ORN) 2/CS Product #:06101.0102</p>	 <p>EASY POUR®,(ORN) 3/CS Product #:06101.0103</p>
 <p>EASY POUR®,(ORN) 6/CS Product #:06101.0106</p>	 <p>EASY POUR®,(ORN) 12/CS Product #:06101.0112</p>	 <p>EASY POUR®,(ORN) 24/CS Product #:06101.0124</p>	 <p>DECANTER, GLASS-BLK 12C 24/CS Product #:42400.0024</p>	 <p>DECANTER, GLASS-BLK 12CUP 1PK Product #:42400.0101</p>
 <p>DECANTER, GLASS-BLK 12C 3/CS Product #:42400.0103</p>	 <p>DECANTER, GLASS-ORN 12C 24/CS Product #:42401.0024</p>	 <p>DECANTER, GLASS-ORN 12 CUP 1PK Product #:42401.0101</p>	 <p>DECANTER, GLASS-ORN 12C 3/CS Product #:42401.0103</p>	



BUNN® reserves the right to change specifications and product design without notice. Such revisions do not entitle the buyer to corresponding changes, improvements, additions or replacements for previously purchased equipment. For most current specifications and other info visit bunn.com.

Created on:
07/18/2019