

## 1 lb. Bulk Grinder

### Features

#### Bulk Grinder

- Hopper holds 1 lb. (.45 Kg) of fresh coffee beans.
- Turbo action draws coffee through grind chamber for greater grinding efficiency.
- Fast grinding—one pound in under 30 seconds for HD models.
- Wide range of grinds can be selected.
- Convenient cleaning lever ensures complete clean out of coffee from grind chamber.
- Bag switch stops motor when bag is removed and prevents grinding before bag is in place.
- Heavy-duty precision burrs for quality, finer grinds.
- Three year warranty on grinding burrs.



#### Model G1

Dimensions: 22.7"H x 7.3"W x 16"D  
(57.9cm H x 18.54cm W x 40.64cm D)

For current specification sheets and other information, go to [www.bunn.com](http://www.bunn.com).

### Related Products

#### Precision Burrs

All BUNN grinders use precision burrs to cut (not crush) the coffee beans and deliver consistent grind distribution. BUNN burrs are rated at a Rockwell hardness of 66C, resulting in an exceptionally long burr life.



Model	Agency Listing	International Model	Agency Listing
G1		No International Model	

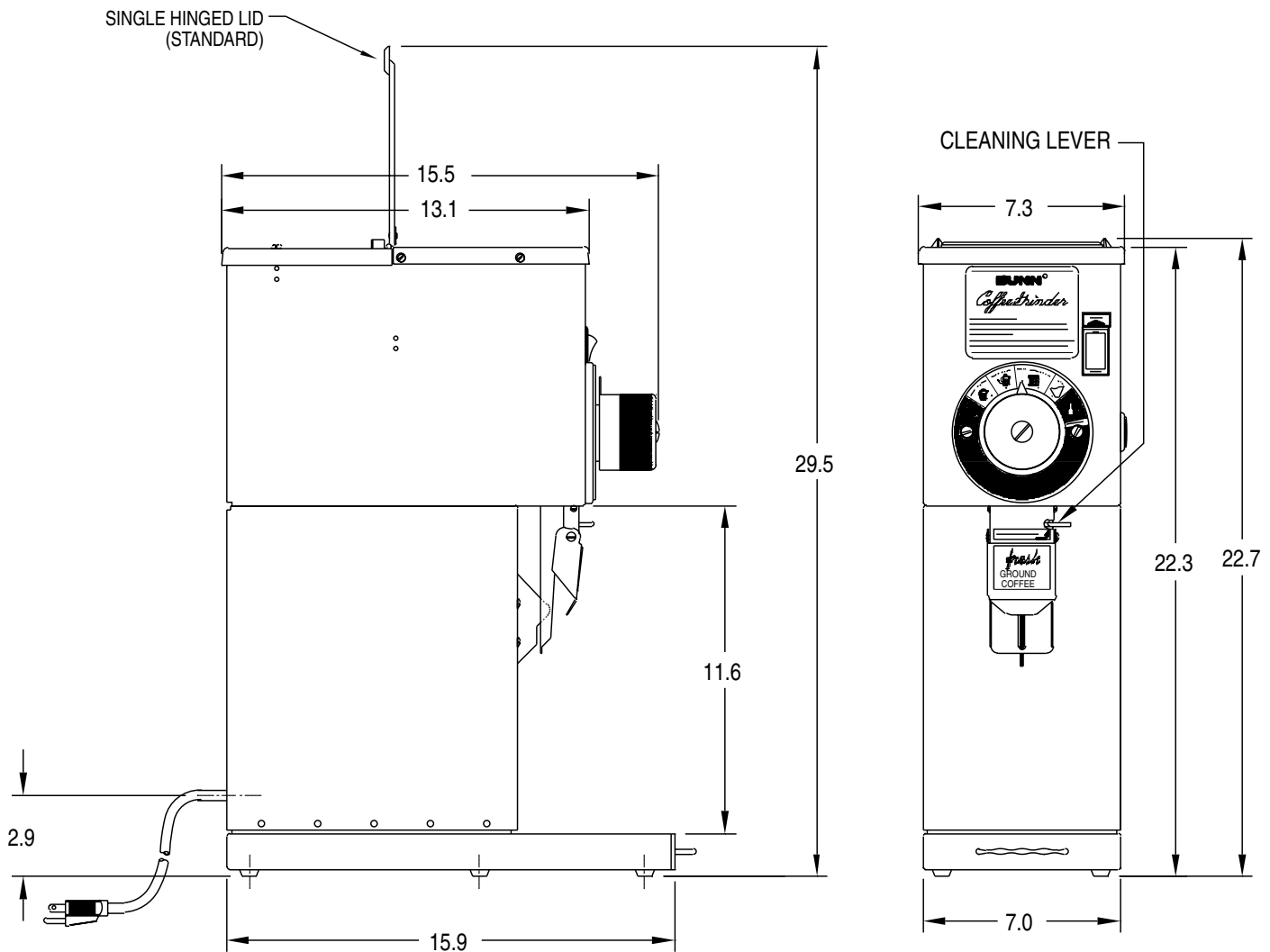
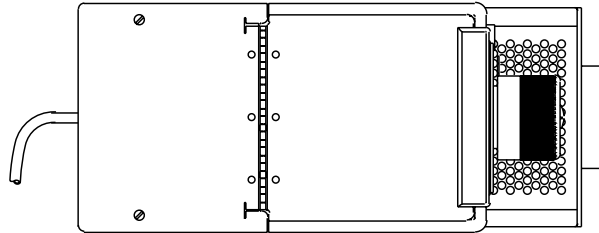
Patents Apply 10/04 C2.1

## Dimensions & Specifications

Model	Product #	Volts	Amps	Capacity	Cu. Ft.	Shipping Weight	Cord Attached
G1 HD Black	22104.0000	120	9	1 lb.	6	57 lbs. (15.9 kg)	Yes*
G1 HD Red	22104.0001	120	9	1 lb.	6	57 lbs. (15.9 kg)	Yes*

\*Power cord (NEMA 5-15P) 15 Amp-120V machine only.

Electrical: G1 HD motors are rated: 120 volts, 60 Hz, 9 amps. Requires 2-wires plus ground service.  $\frac{3}{4}$  HP motor.



BUNN Corporation - 1400 Stevenson Drive Springfield, Illinois 62703 • 800-637-8606 • 217-529-6601 • Fax 217-529-6644 • www.bunn.com

BUNN® practices continuous product research and improvement. We reserve the right to change specifications and product design without notice. Such revisions do not entitle the buyer to corresponding changes, improvements, additions or replacements for previously purchased equipment.

All dimensions shown in inches. Bunn Corporation owns all copyrights relating to materials in this publication. Please contact Bunn Corporation to request permission to reproduce any portion of this publication.