

CWTF35-APS w/SST Funnel

24.1" x 21.4" x 9.0"
(61.2cm x 54.4cm x 22.9cm)

- Models are space saving 9" wide (22.9cm)
- All stainless steel construction
- Hot water faucet and pourover feature
- SplashGard® funnel deflects hot liquids away from the hand
- Accommodates 1.9 to 3L airpots
- Airpots are easily transported to remote meeting rooms, breakfast bars, etc



Servers and airpots sold separately

Agency:



Specifications

Product #: 23001.0023

Water Access: Plumbed

Finish: Stainless

Funnel: Stainless Steel

Faucet: Upper

Additional Features

Electrical & Capacity

Volts	Amps	Watts	Cord Attached	Plug Type	8oz cups/hr 236ml cups/hr	Input H ₂ O Temp.	Phase	# Wires plus Ground	Hertz
120/208-240	15	3550	No	-	120	60°F (15.5°C)	1	3	60

Plumbing Requirements

PSI	kPa	Fitting Supplied	Water Flow Required (GPM)
20-90	138-621	1/4" Male Flare Fitting	-

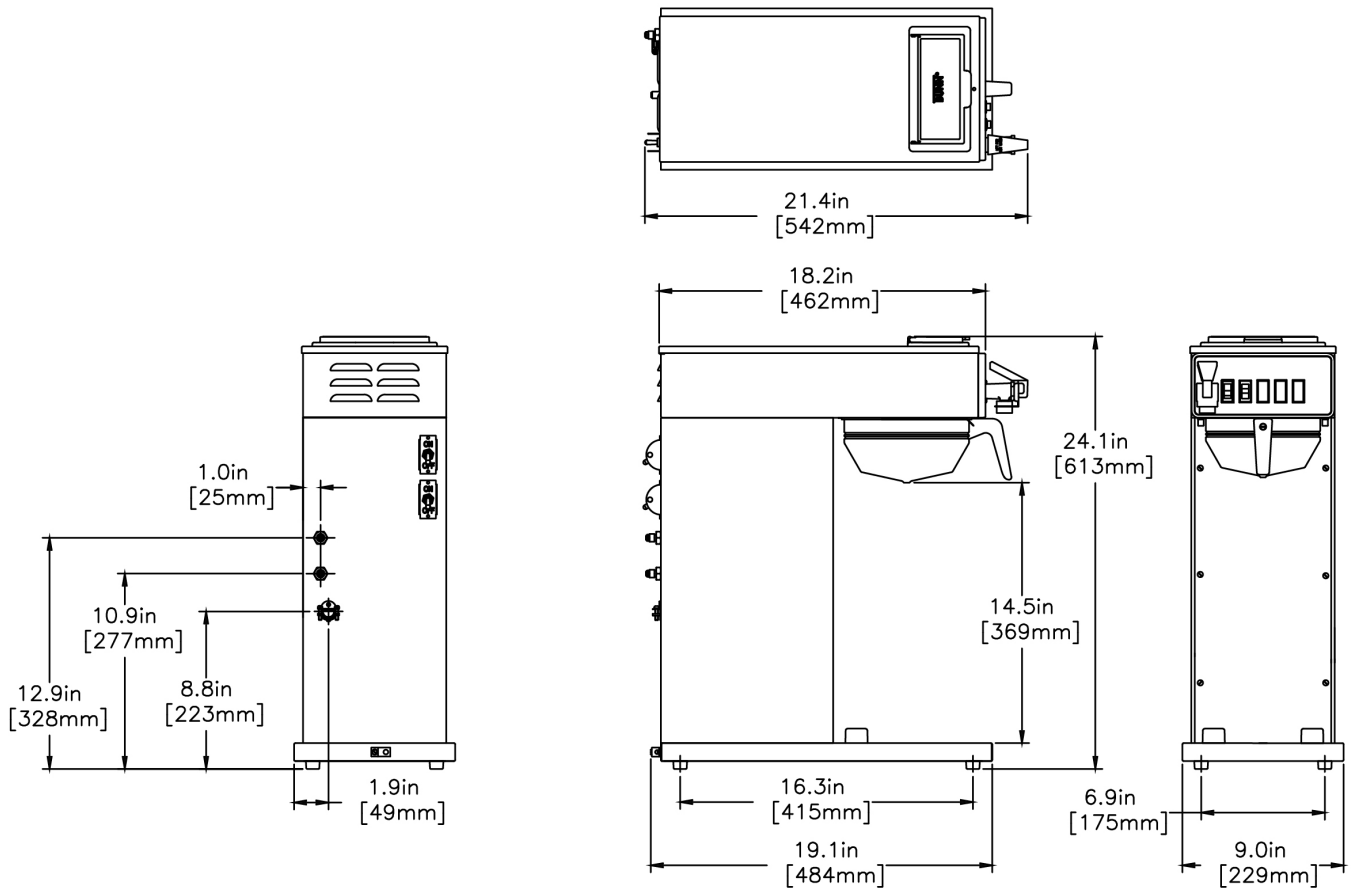
CAD Drawings

2D	Revit	KLC
●		



BUNN® reserves the right to change specifications and product design without notice. Such revisions do not entitle the buyer to corresponding changes, improvements, additions or replacements for previously purchased equipment. For most current specifications and other info visit bunn.com.

Created on:
09/15/2017



	Unit			Shipping				
	Width	Height	Depth	Width	Height	Depth	Weight	Volume
English	9.0 in.	24.1 in.	21.4 in.	11.9 in.	29.0 in.	25.8 in.	37.050 lbs	4.581 ft ³
Metric	22.9 cm	61.2 cm	54.4 cm	30.2 cm	73.7 cm	65.5 cm	16.806 kgs	0.130 m ³



BUNN® reserves the right to change specifications and product design without notice. Such revisions do not entitle the buyer to corresponding changes, improvements, additions or replacements for previously purchased equipment. For most current specifications and other info visit bunn.com.

Created on:
09/15/2017

Related Products & Accessories: CWTF35-APS w/SST Funnel(23001.0023)



FILTERS,REGULAR1M
500/2 50/CL

Product #: 20115.0000



PAPEL FILTRANTE

Product #: 20115.0000



FUNNEL ASSY, SST-BLK
HDL(7.12

Product #: 20216.0000



EMBUDOS

Product #: 20216.0000



WATER FILTER
SYSTEM,EQ-17-TL

Product #: 30200.1000



WATER FILTER,IN LINE
ED-17-TL

Product #: 30201.1001



BUNN® reserves the right to change specifications and product design without notice. Such revisions do not entitle the buyer to corresponding changes, improvements, additions or replacements for previously purchased equipment. For most current specifications and other info visit bunn.com.

Created on:
09/15/2017

Serving & Holding Options: CWTF35-APS w/SST Funnel(23001.0023)



AIRPOT, 2.5L GL PB
SINGLE PK

Product #:13041.0001



AIRPOT, 2.5L GL PB 6/
CASE

Product #:13041.0101



AIRPOT, 2.2L GL PB
SINGLE PK

Product #:28696.0002

NO IMAGE
AVAILABLE

AIRPOT, 2.2L GL PB 6/
CASE

Product #:28696.0006



AIRPOT, 2.5L SST LA
SINGLE PK

Product #:32125.0000



TERMO

Product #:32125.0000



AIRPOT, 2.5L SST LA 6/
CASE

Product #:32125.0100



TERMO

Product #:32125.0100



AIRPOT, 3.0L SST LA
SINGLE PK

Product #:32130.0000



TERMO

Product #:32130.0000



AIRPOT, 3.0L SST LA 6/
CASE

Product #:32130.0100



TERMO

Product #:32130.0100



AIRPOT, 2.2L GL LA 6/
CASE

Product #:32700.0000



AIRPOT, 3.8L SST LA
SINGLE PK

Product #:36725.0000



TERMO

Product #:36725.0000



AIRPOT, 3.8L SST LA 6/
CASE

Product #:36725.0100



AIRPOT, 2.2L SST LA
SINGLE PK

Product #:44311.0000



BUNN® reserves the right to change specifications and product design without notice. Such revisions do not entitle the buyer to corresponding changes, improvements, additions or replacements for previously purchased equipment. For most current specifications and other info visit bunn.com.

Created on:
09/15/2017