

BUNN®

Powdered Autofill Ultra Gourmet Ice® System with 2 Hoppers

ITEM#

PROJECT

DATE



Model ULTRA-2 PAF*

Dimensions:
42"H x 16"W x 25"D
(106.7cm H x 40.6cm W x 63.5cm D)

Features

Ultra Gourmet Ice® System

- Powdered autofill product hoppers refill product at a rate of 1.1 fluid oz./sec.
- Patented reversing auger design quickens freeze time and reduces air mixing.
- Very simple to program and run with touchpad display, which also guides cleaning and preventive maintenance.
- Refrigeration system internally monitored to ensure long lasting performance.
- Two large 2 gallon (7.57 litre) hoppers for optimum cooling & serving capacity.
- Full 3-year parts and labor warranty on electronics and 5-year parts warranty on compressor. See the product manual for additional details.
- Sanitation listed by NSF to Standard 18 (includes dairy & alcohol) and safety listed by ETL to UL Standard (UL 471) and CSA Standard (C22.2 No. 120).
- International electrical configurations available.

For current specification sheets and other information, go to www.bunn.com.

* International models may vary in appearance.

Related Products

Conversion Kit

Kit converts hoppers on CDS-2 PAF machine to new ULTRA-2 PAF style hopper/faucet.

CDS-2 PAF Hopper Kit

Product No.: 28485.0046



Plastic hoppers pull out easily to refill powdered product.

Model

ULTRA-2 PAF

Agency Listing



E9005.0001B

Patents Apply

3/06

D2

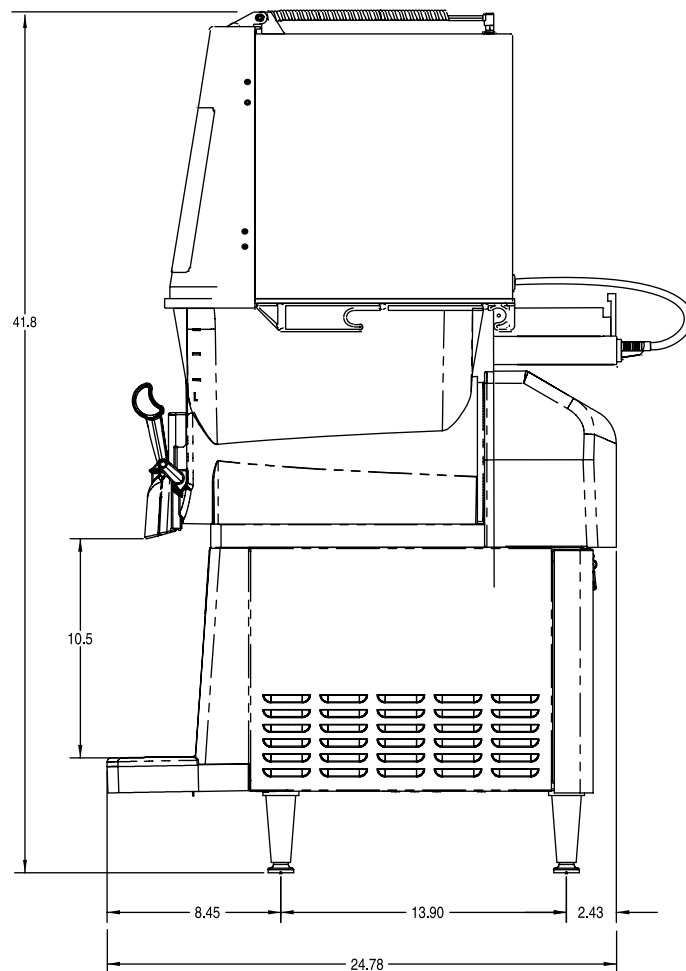
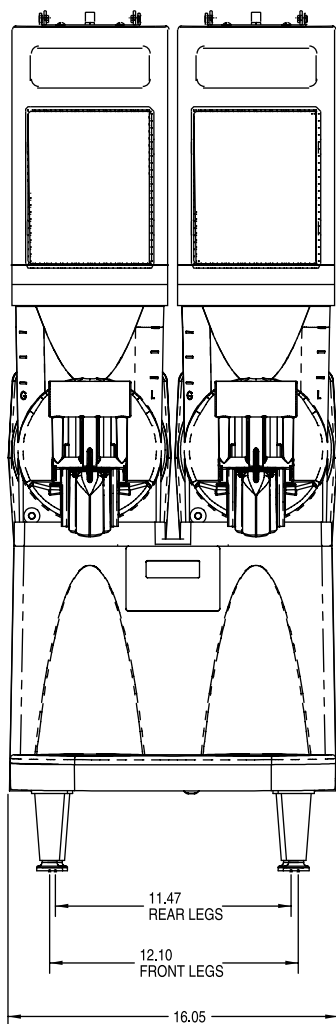
Dimensions & Specifications

Model	Product #	Volts	Amps	Capacity	Cu Ft.	Shipping Weight	Cord Attached
ULTRA-2 PAF (White/Stainless)	34000.0004	120	15	5 lbs. dry product	21.5 ft ³	175.2 lbs.	Yes*
ULTRA-2 PAF (Black/Stainless)	34000.0005	120	15	5 lbs. dry product	21.5 ft ³	177.6 lbs.	Yes*
ULTRA-2 PAF (All Black)	34000.0010	120	15	5 lbs. dry product	21.5 ft ³	177.6 lbs.	Yes*

*Power cord (NEMA 5-15P) 15 Amp-120V machine only.

Electrical: Model requires 2-wires plus ground service rated 120V, single phase, 60 Hz.

Plumbing: 20-90 psi (138-621 kPa). Machine supplied with 1/4" male flare fitting.



BUNN Corporation - 1400 Stevenson Drive Springfield, Illinois 62703 • 800-637-8606 • 217-529-6601 • Fax 217-529-6644 • www.bunn.com

BUNN® practices continuous product research and improvement. We reserve the right to change specifications and product design without notice. Such revisions do not entitle the buyer to corresponding changes, improvements, additions or replacements for previously purchased equipment.

All dimensions shown in inches. Bunn Corporation owns all copyrights relating to materials in this publication. Please contact Bunn Corporation to request permission to reproduce any portion of this publication.