

Tiger XL Cool Froth™ Espresso Machine

ITEM# _____

PROJECT _____

DATE _____



Model Tiger XL Cool Froth with milk drawer

Dimensions: 25.5"H x 15.8"W x 18.1"D
(64.8 cm H x 40.1 cm W x 45.9 cm D)



Model Tiger XL Cool Froth EXT external milk

Dimensions: 19.3"H x 15.8"W x 18.1"D
(49 cm H x 40.1 cm W x 45.9 cm D)

Features

BUNN Espresso® Tiger XL Cool Froth Series

Simple solution for exceptional espresso beverages from a sleek, compact super-automatic

- Up to 180 shots per hour from less than 16" of counter space.
- Your choice of four drink selections: espresso, cappuccino, latte and iced cappuccino.
- Intelligent modular brewing chamber adjusts espresso.
- Simulates Barista tamping and polishing motion to provide uniform extraction.
- Two-grinder model for two varieties of espresso beans.
- Hoppers hold 1.75 lbs of fresh beans.
- Adjusts for 4.5 to 7.4 inch cup clearance.
- Pod brewing option standard on all models.
- Intuitive operational design. Easy to use control pad guides user through steps for making drinks.
- Easy daily cleaning.
- Innovative milk delivery system does not inject steam or water to dilute the foam so customers enjoy a full, rich flavor experience.
- Available with a self-contained 1 gallon milk drawer or external milk.

For current specification sheets and other information, go to www.bunn.com.

Related Products

Espresso Water Quality System

EQHP-ESP
Product No.: 39000.0008



Replacement Cartridge

EQHP-ESPCRTG
Product No.: 39000.1008

Cafiza™ Cleaning Tablets

Product No.: 36000.1189 (100 count)
Product No.: 36000.1188 (12/case)



Cup Heater

Product No.: 35800.0400



Rinza™

Milk Frother Cleaner
Product No.: 39265.0000 (each)
Product No.: 39265.0001 (6/case)



Steamer

Product No.: 35800.0401



Complete Cafe™

Sanitizer
Product No.: 39265.0010 (each)
Product No.: 39265.0011 (6/case)



Model

Agency Listing

Tiger XL



Tiger XL, EXT



Dimensions & Specifications

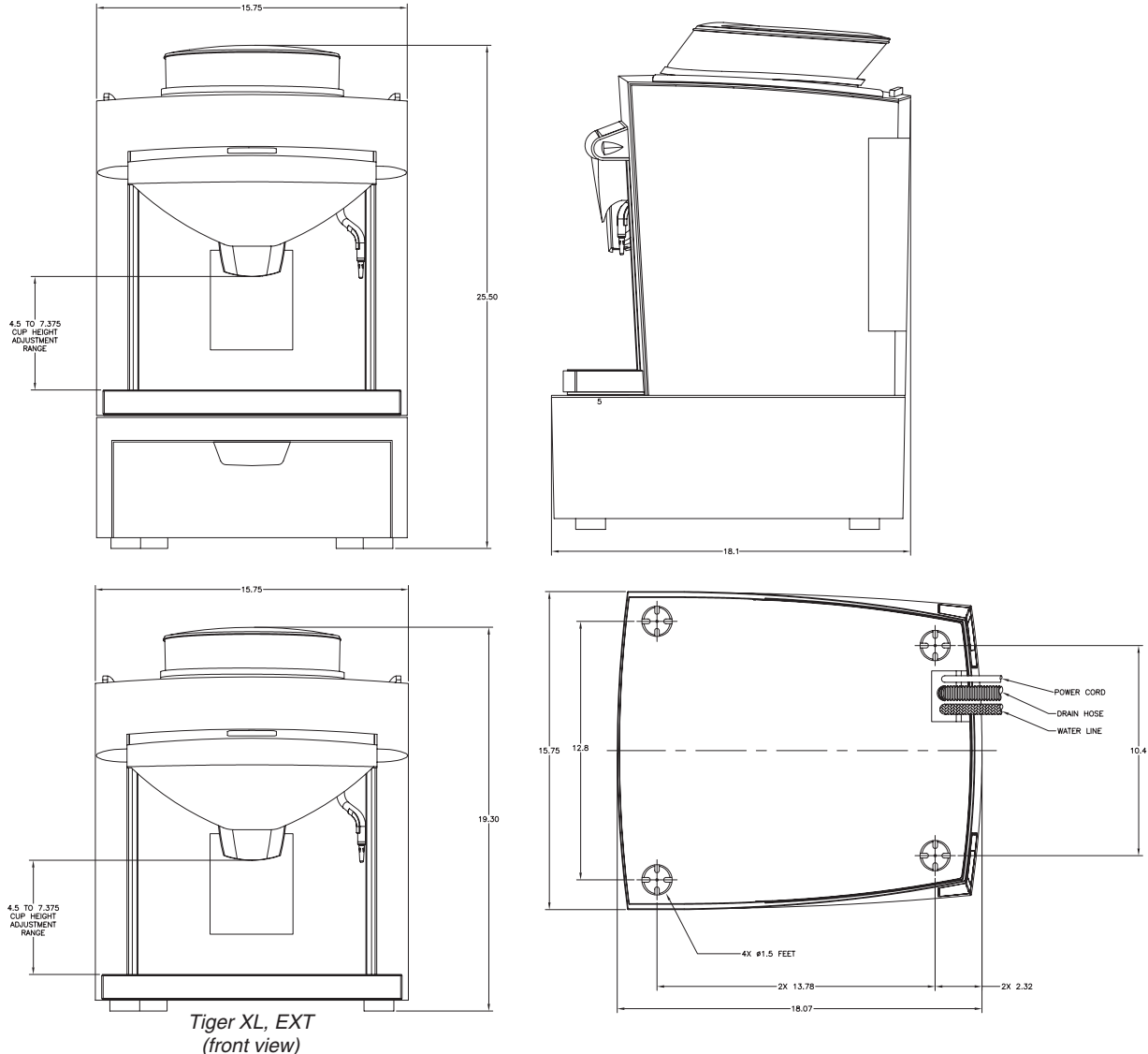
Model	Product #	Volts	Amps	Tank Heater Watts	Total Watts	Capacity	Cubic Measure	Shipping Weight	Cord Attached
Tiger XL	35800.0008	120	16	1700	1850	180 shots/hr	12.5 ft ³	103 lbs	Yes/20A Plug
	35800.0009	208	12	2000	2400	180 shots/hr	12.5 ft ³ (.35 m ³)	103 lbs (46.7 kg)	Yes/No Plug
Tiger XL, EXT	35800.0010	120	16	1700	1850	180 shots/hr	10.5 ft ³	88 lbs	Yes/20A Plug
	35800.0011	208	12	2000	2400	180 shots/hr	10.5 ft ³ (.30 m ³)	88 lbs (39.9 kg)	Yes/No Plug

Capacity per Hour: Espresso: 180
 Cappucino: 120
 Cold Cappucino: 100
 Cafe Latte: 100
 POD Products: 60
 Hot Water: 7.9 gallons (30 litres)

Model includes: Machine, water filtration system, installation and 2-year preventative maintenance.

Electrical: Model requires 2-wire grounded service rated 120/208V, single phase, 50/60 Hz.

Plumbing: 20-100 psi (138 - 690 kPa). Machine supplied with 1/4" male flare fitting. All machines are supplied with a waste water hose and must be connected to a drain.



Tiger XL, EXT
(front view)

Bunn-O-Matic® Corporation - 1400 Stevenson Drive Springfield, Illinois 62703 • 800-637-8606 • 217-529-6601 • Fax 217-529-6644 • www.bunn.com

BUNN® practices continuous product research and improvement. We reserve the right to change specifications and product design without notice. Such revisions do not entitle the buyer to corresponding changes, improvements, additions or replacements for previously purchased equipment.

All dimensions shown in inches.