

Thermal Carafe

Features



Thermal Carafe

- Holds 1.85 litres or 64 ounces (12 cups) of coffee or other hot beverage.
- Unbreakable stainless steel interior and exterior.
- Superior vacuum insulation keeps beverages hot for hours.
- Brew through lid allows direct brewing.
- Fits on BUNN Thermal Carafe and Twin Thermal Carafe brewers.

Model 1.85 litre Thermal Carafe

Dimensions:
8" H x 6.4" W x 8.2" D
(20.3cm H x 16.3cm W x 21cm D)

For current specification sheets and other information, go to www.bunn.com.

Related Products

CWTF15-TC

Product No.: 12950.0360

Dimensions:

17.9" H x 9" W x 18.5" D

(45.5cm H x 22.9cm W x 55.4cm D)



CWTF Twin-TC

Product No.: 23400.0047

Dimensions:

17.2" H x 16" W x 22.5" D

(43.7cm H x 41cm W x 57.2cm D)



CDBCF-TC

Product No.: 29000.0107

Dimensions:

17.9" H x 9" W x 18.5" D

(45.5cm H x 22.9cm W x 55.4cm D)



See spec sheet A3.13 and A3.14 for more details.

Model

Thermal Carafe

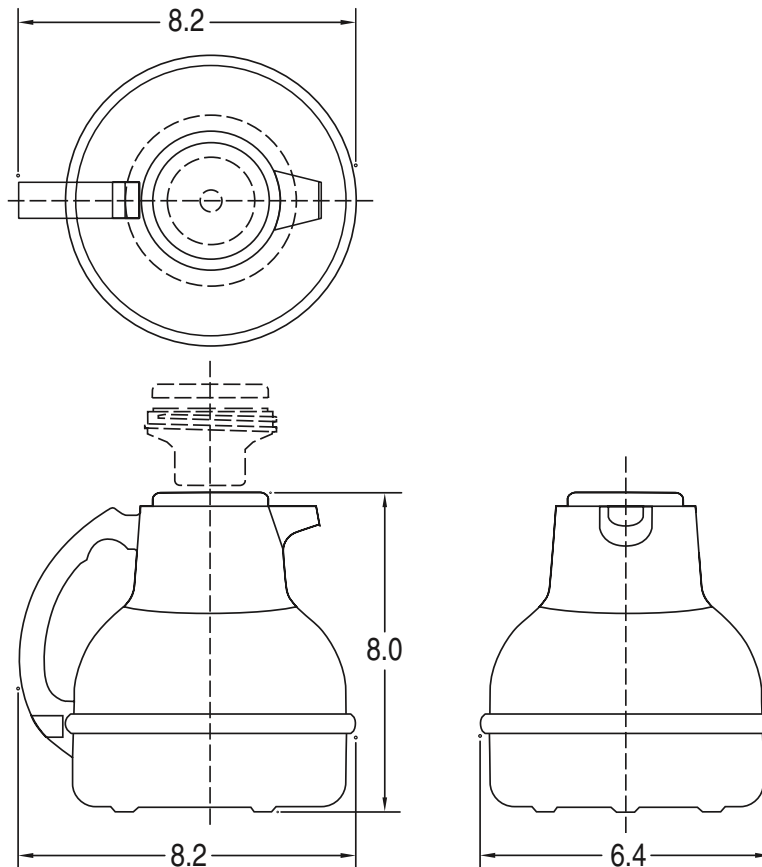
Agency Listing



Dimensions & Specifications

Model	Product #	Capacity	Quantity	Cu. Ft.	Shipping Weight
1.85 liter Thermal Carafe	36029.0001	1.85 litres (64 oz.)	single unit	.26	3.0 lbs.
1.85 liter Thermal Carafe	36029.0000	1.85 litres (64 oz.)	12 units to a case	3.6	34 lbs.
1.85 liter Thermal Carafe*	36252.0001	1.85 litres (64 oz.)	single unit	.26	3.0 lbs.
1.85 liter Thermal Carafe*	36252.0000	1.85 litres (64 oz.)	12 units to a case	3.6	34 lbs.

Note: *Orange lid (for decaf).



BUNN Corporation - 1400 Stevenson Drive Springfield, Illinois 62703 • 800-637-8606 • 217-529-6601 • Fax 217-529-6644 • www.bunn.com

BUNN® practices continuous product research and improvement. We reserve the right to change specifications and product design without notice. Such revisions do not entitle the buyer to corresponding changes, improvements, additions or replacements for previously purchased equipment.

All dimensions shown in inches. Bunn Corporation owns all copyrights relating to materials in this publication. Please contact Bunn Corporation to request permission to reproduce any portion of this publication.