

ICB-DV

26.0" x 20.6" x 10.2"
(66.0cm x 52.3cm x 25.9cm)

NO IMAGE
AVAILABLE

- Large 3gal (11.4L) tank provides back-to-back brewing capacity at 120/208-240V applications
- Brews into 2.5 to 3.8L (84 to 128oz) airpots and 3.8 and 5.7L (1 to 1.5gal) baseless ThermoFresh® servers for easy transport of coffee to other locations
- BrewWISE® intelligence with pre-infusion and pulse brew for maximum flavor extraction
- Compatible with BUNNlink®
- Digital display in English/Spanish for easier programming and control. Advertising messages and machine status also displayed. Display capable of showing English or Metric measurements.
- Dual voltage adaptable (Can operate at 120V/15 amp or 120/208-240V/20 amp)
- Easy pulse display allows for simplified programming of pulse routine
- Energy-saver mode reduces tank temperature during idle periods
- Includes overlay kit for customization of brewer interface
- Three brew buttons allow for 3 separate brewing profiles. Two programmable batch switches allow full and half batch brewing.

Agency:

Specifications

Product #: 36600.6004

Water Access: Plumbed

Finish: Black

Funnel: Stainless Steel

Additional Features

BrewWISE

Electrical & Capacity

Volts	Amps	Watts	Cord Attached	Plug Type	8oz cups/hr 236ml cups/hr	Input H ² O Temp.	Phase	# Wires plus Ground	Hertz
-	-	-	-	-	-	60°F (15.5°C)	-	-	-

Plumbing Requirements

PSI	kPa	Fitting Supplied	Water Flow Required (GPM)
20-90	138-621	3/8" Male Flare Fitting	-

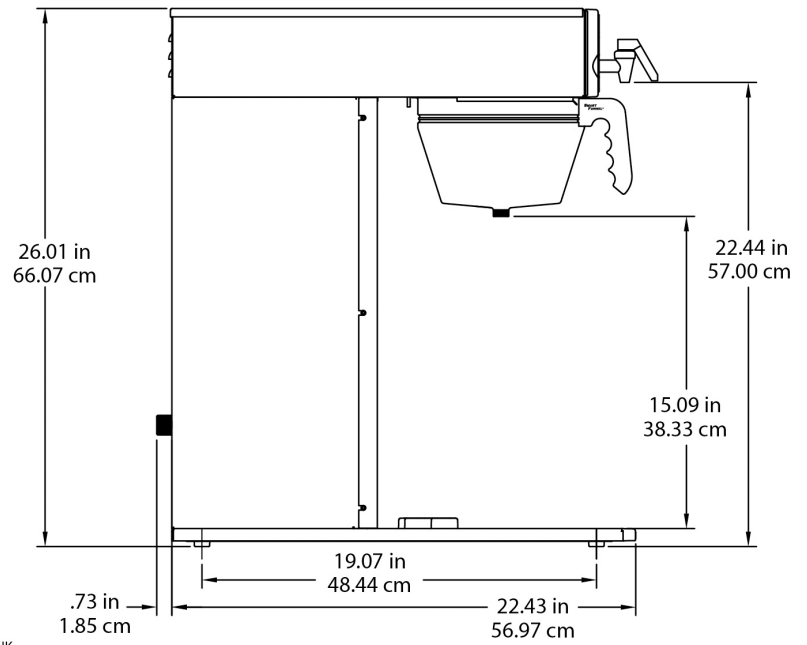
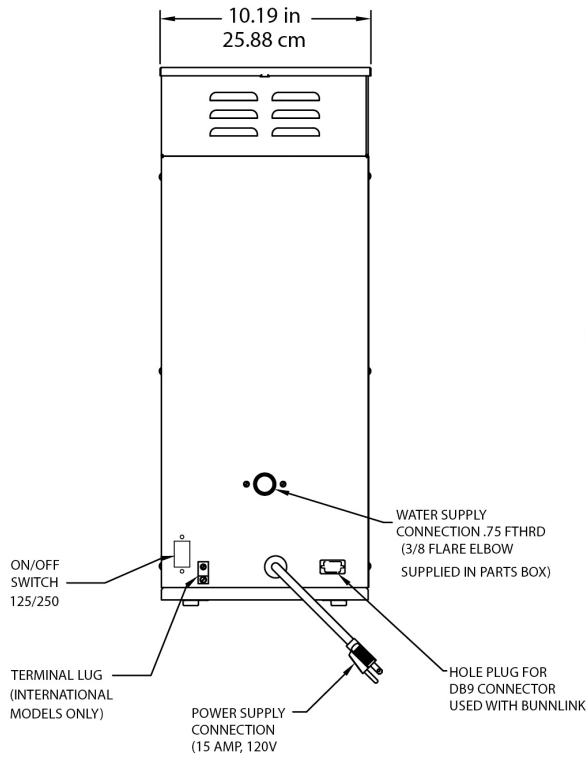
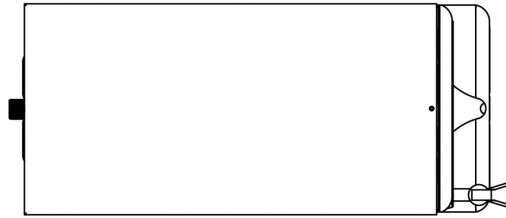
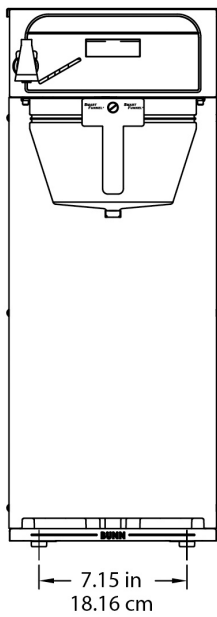
CAD Drawings

2D	Revit	KLC
●		



BUNN® reserves the right to change specifications and product design without notice. Such revisions do not entitle the buyer to corresponding changes, improvements, additions or replacements for previously purchased equipment. For most current specifications and other info visit bunn.com.

Created on:
04/09/2019



	Unit			Shipping				
	Width	Height	Depth	Width	Height	Depth	Weight	Volume
English	10.2 in.	26.0 in.	20.6 in.	-	-	-	-	-
Metric	25.9 cm	66.0 cm	52.3 cm	-	-	-	-	-



BUNN® reserves the right to change specifications and product design without notice. Such revisions do not entitle the buyer to corresponding changes, improvements, additions or replacements for previously purchased equipment. For most current specifications and other info visit bunn.com.

Created on:
04/09/2019

Related Products & Accessories: ICB-DV(36600.6004)



FILTERS, GOURMET 500
500/1 50/CL

Product #: 20138.1000



WATER FILTER,
EQHP-10L

Product #: 39000.0001



WATER FILTER,
EQHP-10

Product #: 39000.0004



STAND ASSY, TF
SERVER

Product #: 39795.0003



BUNN® reserves the right to change specifications and product design without notice. Such revisions do not entitle the buyer to corresponding changes, improvements, additions or replacements for previously purchased equipment. For most current specifications and other info visit bunn.com.

Created on:
04/09/2019

Serving & Holding Options: ICB-DV(36600.6004)



AIRPOT, 2.5L GL PB
SINGLE PK

Product #:13041.0001



AIRPOT, 2.5L GL PB 6/
CASE

Product #:13041.0101



AIRPOT, 2.5L SST LA
SINGLE PK

Product #:32125.0000



AIRPOT, 2.5L SST LA 6/
CASE

Product #:32125.0100



AIRPOT, 3.0L SST LA
SINGLE PK

Product #:32130.0000



AIRPOT, 3.0L SST LA 6/
CASE

Product #:32130.0100



AIRPOT, 3.8L SST LA
SINGLE PK

Product #:36725.0000



AIRPOT, 3.8L SST LA 6/
CASE

Product #:36725.0100



STAND ASSY, TF
SERVER

Product #:39795.0003



TF SERVER, DSG2 1G
SST NOBASE

Product #:42700.0050



TF SERVER, DSG2 1G
BLK NOBASE

Product #:42700.0051



TF SERVER, DSG2 1G
SST CD NOBAS

Product #:42700.0052



TF SERVER, DSG2 1.5G
SST NOBAS

Product #:42750.0050



TF SERVER, DSG2 1.5G
SST CD NOBAS

Product #:42750.0052



TF SERVER, 1G/3.8L
MECH NOBASE

Product #:44000.0050



TF SERVER, 1G/3.8L
MECH BLK NOBASE

Product #:44000.0051



TF SERVER, 1.5G/5.7L
MECH NOBASE

Product #:44050.0050



TF SERVER, 1.5G/5.7L
MECH BLK NOBASE

Product #:44050.0051



BUNN® reserves the right to change specifications and product design without notice. Such revisions do not entitle the buyer to corresponding changes, improvements, additions or replacements for previously purchased equipment. For most current specifications and other info visit bunn.com.

Created on:
04/09/2019