

# JDF-4S Lit Door

33.1" x 28.0" x 15.7"  
(84.1cm x 71.1cm x 39.9cm)



- Patented High Intensity Mixing System delivers consistent quality beverages in the cup - cup after cup, from the top of the cup to the bottom of the cup
- 7" (17.8cm) cup clearance accommodates most juice containers
- Both push and hold dispense and optional single size portion control dispense available in the same dispenser
- Quick dispense with 1.0 to 1.5oz (29.6 to 44.4ml) per second flow rate
- One dispenser delivers both frozen and ambient concentrate products to maximize profitability by providing greater flexibility in product offerings
- Door Lock Standard
- Service friendly design makes set up and maintenance simple
- Burst Capacity: At rate of three 12 oz drink/min, 145 drinks before exceeding 41°F (75°F ambient and 75°F incoming water temp)
- Pumps and Mixes most 2+1 to 11+1 concentrates accurately and consistently, including 4+1 and 5+1 high viscosity concentrates
- LED lighted door graphics bring high visibility to front-of-house applications

Agency:



## Specifications

**Product #:** 37300.0004

**Flavors:** 4 Flavors

**Water Access:** Plumbed

**Finish:** Black

**Door:** Lit

**Refrigerant:** R-134A

**Ice Bank:** 18.00 lbs (8.165 kgs)

**Dispense:** Push Button

**Dispense:** Single Size Portion Control

## Additional Features

## Electrical & Capacity

Volts	Amps	Watts	Cord Attached	Plug Type	8oz cups/hr 236ml cups/hr	Input H <sup>2</sup> O Temp.	Phase	# Wires plus Ground	Hertz
120	6	720	Yes	NEMA 5-15P	-	60°F (15.5°C)	1	2	60

## Plumbing Requirements

PSI	kPa	Fitting Supplied	Water Flow Required (GPM)
20-100	138-689	3/8" Male Flare Fitting	-

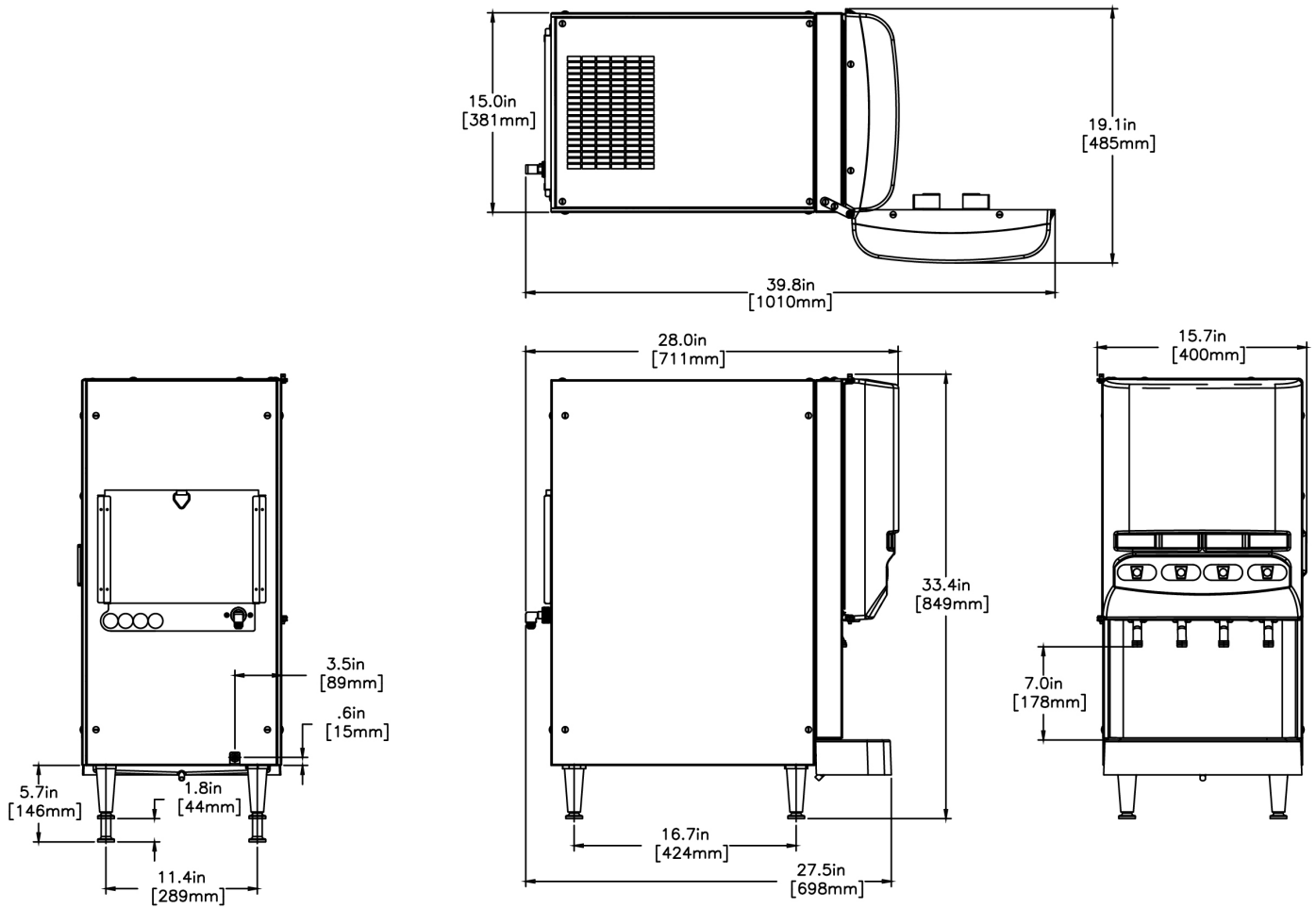
## CAD Drawings

2D	Revit	KLC
●		



BUNN® reserves the right to change specifications and product design without notice. Such revisions do not entitle the buyer to corresponding changes, improvements, additions or replacements for previously purchased equipment. For most current specifications and other info visit [bunn.com](http://bunn.com).

Created on:  
12/05/2018



Unit			Shipping					
	Width	Height	Depth	Width	Height	Depth	Weight	Volume
English	15.7 in.	33.1 in.	28.0 in.	-	-	-	145.610 lbs	-
Metric	39.9 cm	84.1 cm	71.1 cm	-	-	-	66.049 kgs	-



BUNN® reserves the right to change specifications and product design without notice. Such revisions do not entitle the buyer to corresponding changes, improvements, additions or replacements for previously purchased equipment. For most current specifications and other info visit [bunn.com](http://bunn.com).


Created on:  
12/05/2018

## Related Products & Accessories: JDF-4S Lit Door(37300.0004)

KIT, AMBIENT CONC  
CVRSN JDF-4

---

Product #: 33699.0001



WATER FILTER,  
EQHP-10

---

Product #: 39000.0004



CARTRIDGE,  
EQHP-10CRTG

---

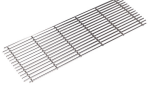
Product #: 39000.1004



CONTAINER ASSY,  
REFILLABLE

---

Product #: 39302.0000



WIRE GRILL, DRIP TRAY  
(JDF-4S)

---

Product #: 39613.0000

KIT, HOSE ASSY-PUMP  
JDF-2S/4S

---

Product #: 39690.0000



TRAY, EXTENDED DRIP  
JDF-4S

---

Product #: 40789.1000



BUNN® reserves the right to change specifications and product design without notice. Such revisions do not entitle the buyer to corresponding changes, improvements, additions or replacements for previously purchased equipment. For most current specifications and other info visit [bunn.com](http://bunn.com).

Created on:  
12/05/2018

# Serving & Holding Options: JDF-4S Lit Door(37300.0004)

\*Serving and Holding selections are currently unavailable. Please contact your sales representative to find out more information.\*



BUNN® reserves the right to change specifications and product design without notice. Such revisions do not entitle the buyer to corresponding changes, improvements, additions or replacements for previously purchased equipment. For most current specifications and other info visit [bunn.com](http://bunn.com).

Created on:  
12/05/2018