

Liquid Coffee Ambient Dispenser Iced Coffee

ITEM#

PROJECT

DATE

Features

Liquid Coffee Ambient Dispenser

- Attractive appearance and narrow 12" (30.5 cm) width.
- Accommodates all ½ gallon (1.9 litre) and most 1 gallon (3.8 litre) bag-in-box (BIB) containers.
- Connects to ambient water supply for a final coffee beverage served over ice.
- Refill or rinse LED lights alert the operator when more concentrate or cleaning is needed.
- Sanitation listed by ETL to NSF Standard 18 and safety listed by ETL to UL Standard (UL 197) and CSA Standard (C22.2 No. 109 - model LCR-2C)



Model LCA-2, IC

Dimensions: 30" H x 12.2" W x 24.9" D
(76.2 cm H x 31 cm W x 63.3 cm D)

For current specification sheets and other information, go to www.bunn.com.

Related Products

Easy Clear® EQHP-10
Product No. : 39000.0004



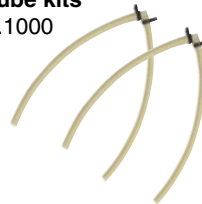
Easy Clear® EQHP-10L
Product No. : 39000.0001

Easy Clear® EQHP-25
Product No. : 39000.0005



Easy Clear® EQHP-25L
Product No. : 39000.0002

3/16" Replacement tube kits
Product No. : 34727.1000



Scholle BIB connector
Product No. : 35057.0000



**LiquiBox QC/D II
BIB connector**
Product No. : 35055.0000

50ml Graduated Cylinder Kit
Product No. : 34843.1000
For use in calibration of pumps.



Model

LCA-2, IC

Agency Listing



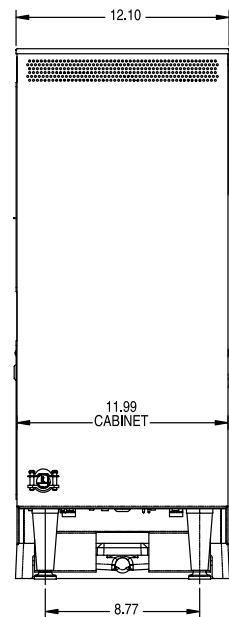
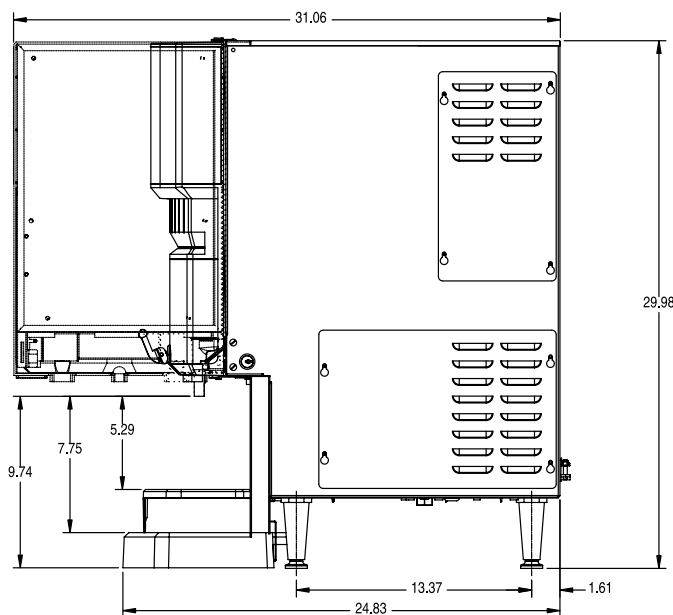
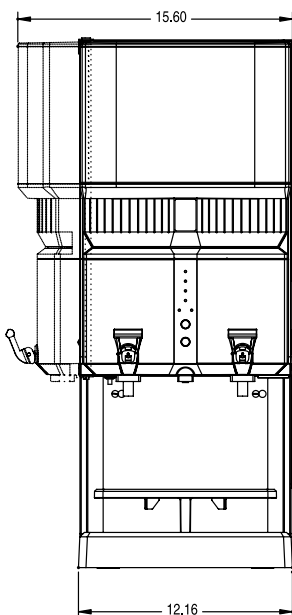
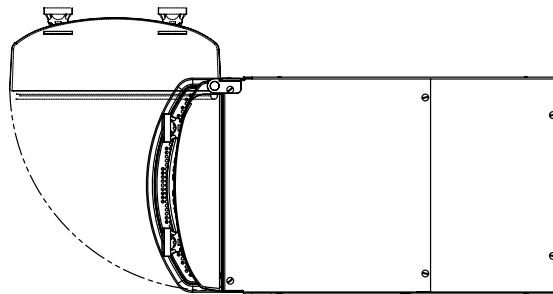
Dimensions & Specifications

Model	Product Number	Dispense Rate/Sec. 1.8 oz. (53.2 ml) Product Ratios	Connector Type	Volts	Amps	Watts	Cubic Measure	Shipping Weight	Cord Attached
LCA-2, IC	37700.0000	25:1-45:1	Scholle 1910LX	120	2	240	9.8 ft ³ (.28m ³)	83 lbs. (37.6 kg)	Yes***

***Power cord (NEMA 5-15P) 15 Amp-120V machine only.

Electrical: 120V model requires 2-wires plus ground service rated 120V, single phase, 60 hz.

Plumbing: 20-90 psi (138-621 kPa) from a $\frac{3}{8}$ " or larger supply line. Unit requires a 2.2 gpm line flow capacity. A shut-off valve should be installed in the line before the unit. Install a regulator in line when pressure is greater than 90 psi to reduce pressure to 50 psi. Supplied with $\frac{3}{8}$ " male flare fitting.



Bunn-O-Matic® Corporation - 1400 Stevenson Drive Springfield, Illinois 62703 • 800-637-8606 • 217-529-6601 • Fax 217-529-6644 • www.bunn.com

BUNN® practices continuous product research and improvement. We reserve the right to change specifications and product design without notice. Such revisions do not entitle the buyer to corresponding changes, improvements, additions or replacements for previously purchased equipment.

All dimensions shown in inches. Bunn-O-Matic Corporation owns all copyrights relating to materials in this publication. Please contact BUNN to request permission to reproduce any portion of this publication.