

iMIX-3S+

Height: 32.8" Width: 12.6" Depth: 24.0"
(83.3cm) (32.0cm) (61.0cm)



- 4.3gal (16.3L) hot water tank to meet peak serving times
- High efficiency LED lighted front graphics for merchandising
- Alphanumeric display allows adjustments and service operational testing from front of machine. Also communicates advertising messages, machine status and technical support contact information
- Can be set as push and hold or single size portion control
- Capacity: Three 8lb (3.6kg) hoppers
- Cup clearance at 7.25" (18.4cm) to accommodate popular cup sizes [adjustable to 8.12" (20.6cm)]
- Easily removable side panels for complete access to service components
- Front of machine access to tank drain, dump valves, auger and whipper motors and control board for easy service set up and calibration
- High speed heavy-duty whipper for complete product mixing
- Spring-loaded, all metal auger drive system for easy hopper installation
- Variable speed motors allow control of product consistency in mixing chamber (.75 to 6.6 grams of powder per second)

Agency:



Specifications

Product #: 38600.0001

Water Access: Plumbed

Finish: Black

Hoppers: Three

Door: Side Hinge

Dispense: Portion Control

Dispense: Push Button

Additional Features

Electrical & Capacity

Volts*	Amps	Watts	Cord Attached	Plug Type	8oz cups/hr 236ml cups/hr	Input H ₂ O Temp.	Phase	# Wires plus Ground	Hertz
120	15	1800	-	-	72	60°F (15.5°C)	1	2	50/60

*When a BUNN is machine rated 120/208-240V, 120/208V or 120/240V, the higher voltage is the supply voltage needed to power the machine. The 120V is there to supply power to some components rated 120V in the machine, but it is not the supply voltage and would not power the machine if the machine is marked with the before mentioned ratings.

Plumbing Requirements

PSI	kPa	Fitting Supplied	Water Flow Required (GPM)
20-100	138-689	1/4" Male Flare Fitting	-

CAD Drawings

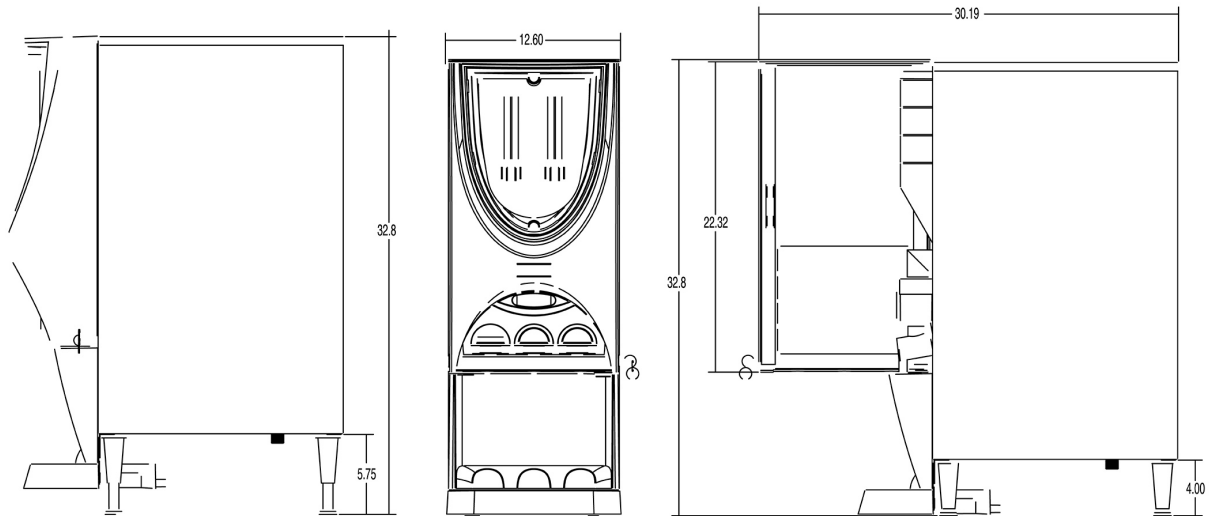
2D	Revit	KLC
●	●	●

WARNING: This product can expose you to chemicals including Bisphenol A (BPA), which is known to the State of California to cause birth defects or other reproductive harm. For more information go to www.P65Warnings.ca.gov

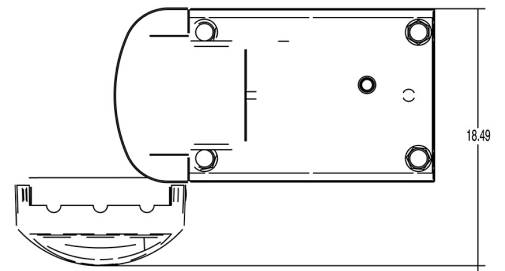
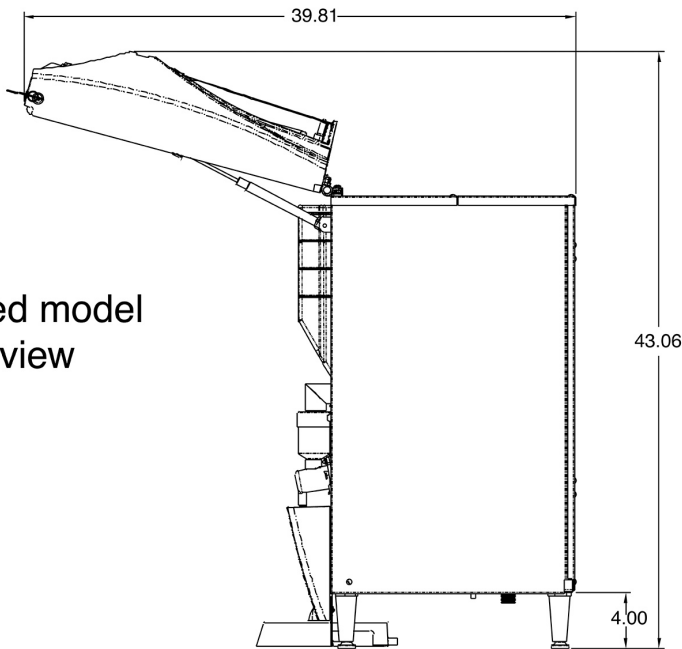


BUNN® reserves the right to change specifications and product design without notice. Such revisions do not entitle the buyer to corresponding changes, improvements, additions or replacements for previously purchased equipment. For most current specifications and other info visit bunn.com.

Last Updated:
04/29/2020



top hinged model
side view



side hinged model
side views

	Unit			Shipping				
	Height	Width	Depth	Height	Width	Depth	Weight	Volume
English	32.8 in.	12.6 in.	24.0 in.	41.7 in.	17.1 in.	29.5 in.	100.500 lbs	12.144 ft ³
Metric	83.3 cm	32.0 cm	61.0 cm	105.9 cm	43.3 cm	74.9 cm	45.587 kgs	0.344 m ³



BUNN® reserves the right to change specifications and product design without notice. Such revisions do not entitle the buyer to corresponding changes, improvements, additions or replacements for previously purchased equipment. For most current specifications and other info visit bunn.com.

Last Updated:
04/29/2020

Related Products & Accessories:iMIX-3S+(38600.0001)



DISPLAY GRAPHICS
IMIX-3

Product #: 37457.0000



DISPLAY, GRAPHICS
CHAI TEA

Product #: 37457.0001



DISPLAY, GRAPHICS
HOT CHOC

Product #: 37457.0002



DISPLAY, GRAPHICS
STEAMERS

Product #: 37457.0003



DISPLAY,GRAPHICS
ICED CAP

Product #: 37457.0006

Serving & Holding Options: iMIX-3S+(38600.0001)

Serving and Holding selections are currently unavailable. Please contact your sales representative to find out more information.



BUNN® reserves the right to change specifications and product design without notice. Such revisions do not entitle the buyer to corresponding changes, improvements, additions or replacements for previously purchased equipment. For most current specifications and other info visit bunn.com.

Last Updated:
04/29/2020