

AXIOM™ 1 Gallon Coffee Brewer with Portable Server

ITEM#

PROJECT

DATE



Model Single AXIOM with 1.5 GPR

Dimensions: 26.1"H x 8.5"W x 18.9"D
(66.3cm H x 21.6cm W x 48cm D)

Features

AXIOM One Gallon Coffee Brewer

- Brews 4.5 to 9.0 gallons (17.0 to 34.1 litres) of perfect coffee per hour.
- 1/2 gallon and 1 gallon (1.9 and 3.8 litre) batches brewed into 1.5 GPR portable server (included).
- Large 200oz. (5.9 litre) tank.
- Adjusts automatically to varying water pressure.
- For high lime areas, BrewLOGIC® technology calculates flow rate and adjusts brew time to maintain consistent pot levels.
- BrewWIZARD® technology simplifies brewer programming with an LCD. Set brew level, cold brew lock-out and tank temperature from the front of the machine.
- Gourmet funnel allows use of heavier throw weights of coffee.
- Coffee extraction controlled with pre-infusion, pulse brew and digital temperature control.
- Cold brew lock-out and automatic warmer time-out ensure high quality, fresh tasting coffee.
- Front of machine programming simplifies installation.
- Electronic diagnostics and built-in tank drain make service easier.
- SplashGard® funnel deflects hot liquids away from the hand.
- Hot water faucet on all models.

For current specification sheets and other information, go to www.bunn.com.

Related Products

Easy Clear® EQHP-10
Product No. : 39000.0004



Easy Clear® EQHP-10CRTG
Product No. : 39000.1004

Single/Dual Filter Pack
Product No. : 20100.0000

Packed per case: 500

Dimensions: 5 1/4" Base x 3 3/4" Sidewall
13.3 cm Base x 9.5 cm Sidewall



1.5 GPR SS Portable Server on an RWS1 Warmer
1GPR Product No. : 20950.0004
RWS1 Product No. : 12203.0010

**Also available with side handles or black decor.*



Model

Single AXIOM 15
Single AXIOM 35

Agency Listing



Dimensions & Specifications

Model	Product #	Volts	Amps	Total Watts	Brewing Capacity	Cubic Measure	Shipping Weight	Cord Attached
SINGLE AXIOM15	38700.0043	120	13.3	1600	4.5 gal/hr	6.0 ft ³	30 lb.	Yes
SINGLE AXIOM 35	38700.0045	120/208-240	15.8*	3650	7.5/9.0 gal/hr	5.6 ft ³	30 lb.	No

*Current at 120/240 Volts

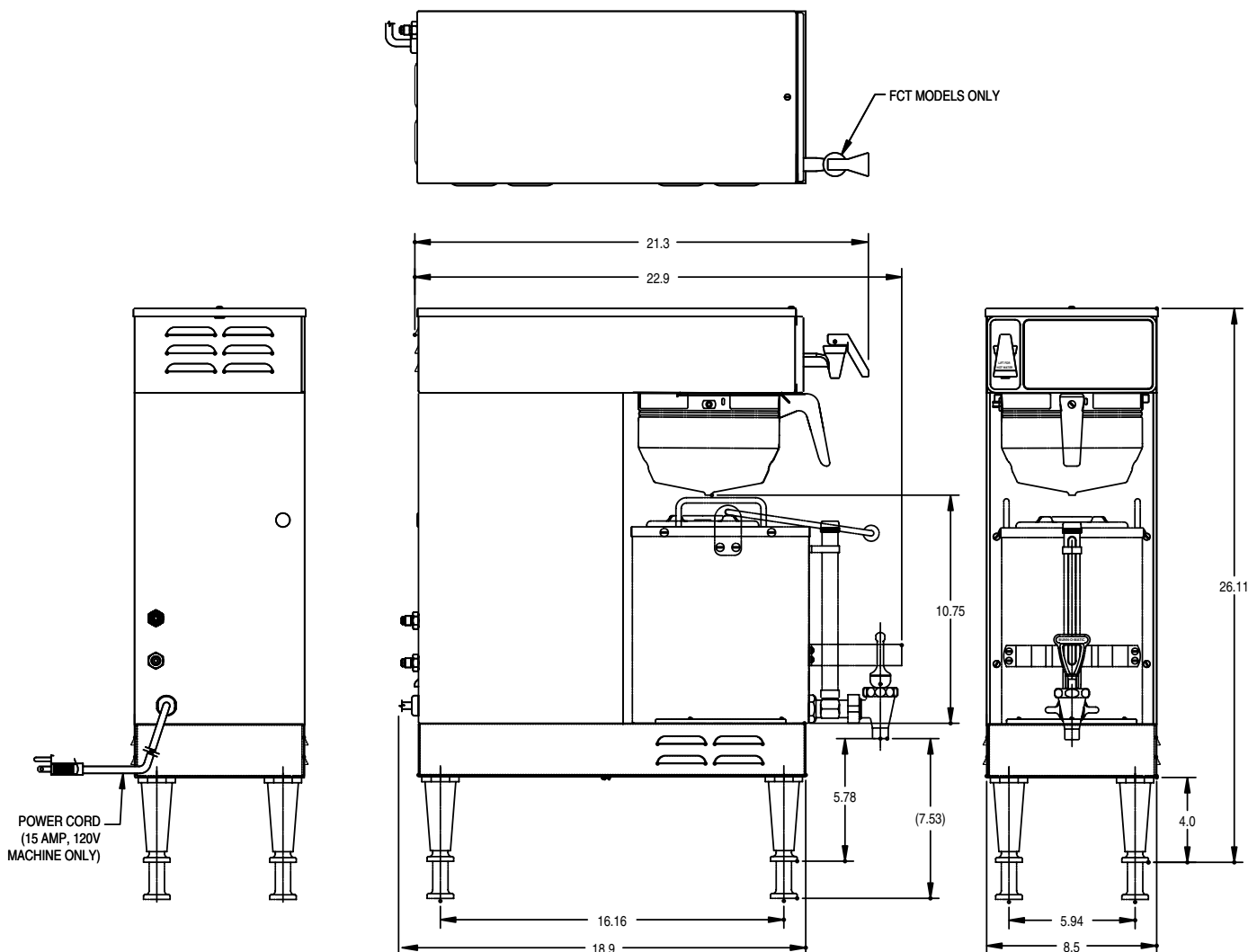
Brewing capacity: based upon incoming water temp of 60°F/15°C (140°F/60°C rise) per 1/2 gallon brew time of 4 minutes.

Models listed as 120/208V or 120/240V must be connected to 208V or 240V electrical service respectively. Please refer to the installation manual.

Electrical: 120 volt model requires 2-wires plus ground service rated 120V, single phase.

240 volt model requires 3-wires plus ground service rated 120/208 or 120/240V, single phase, 60 Hz.

Plumbing: 20-90 psi (138-621 kPa). Machine supplied with 1/4" male flare fitting.



Bunn-O-Matic® Corporation - 1400 Stevenson Drive Springfield, Illinois 62703 • 800-637-8606 • 217-529-6601 • Fax 217-529-6644 • www.bunn.com

BUNN® practices continuous product research and improvement. We reserve the right to change specifications and product design without notice. Such revisions do not entitle the buyer to corresponding changes, improvements, additions or replacements for previously purchased equipment.

All dimensions shown in inches.

8/09 © Bunn-O-Matic Corporation