

H5X-DV PC 212

28.4" x 15.5" x 7.0"
(72.1cm x 39.4cm x 17.8cm)



- Dispenses hot water in three portion sizes
- Front of machine volume programming
- Precise temperature (60°F-212°F) (15.5°C-100°C) ensures consistent, high quality results; adjustable in 1° increments
- Three programmable volume settings and one push and hold continuous dispense button
- All stainless design
- Locate hot water at preparation site to increase speed, safety and efficiency of kitchen staff
- Dual voltage adaptable (Can operate at 120V/15 amp or 120/208-240V/20 amp)

Agency:



Specifications

Product #: 39100.0005
Water Access: Plumbed
Finish: Stainless
Faucet: Upper
Temp. Setting: 212°F (100.000°C)

Dispense: Portion Control
Dispense: Push Button

Additional Features

Electrical & Capacity

Volts	Amps	Watts	Cord Attached	Plug Type	8oz (236mL) cups/hr		Phase	# Wires plus Ground	Hertz
					35°F (1.67°C)*	140°F (60°C)*			
120	15.4	1850	Yes	NEMA 5-20P	65	160	1	2	60
120/208	15	3054	-	N/A	109	267	-	-	-
120/240	17	4050	-	N/A	145	356	-	-	-

*Temperature of water entering the system

Plumbing Requirements

PSI	kPa	Fitting Supplied	Water Flow Required (GPM)
20-90	138-621	1/4" Male Flare Fitting	-

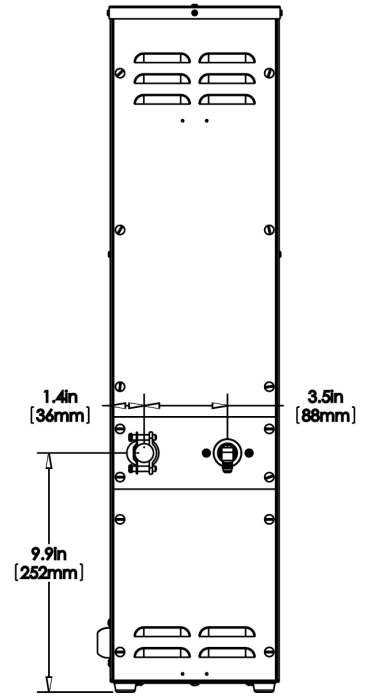
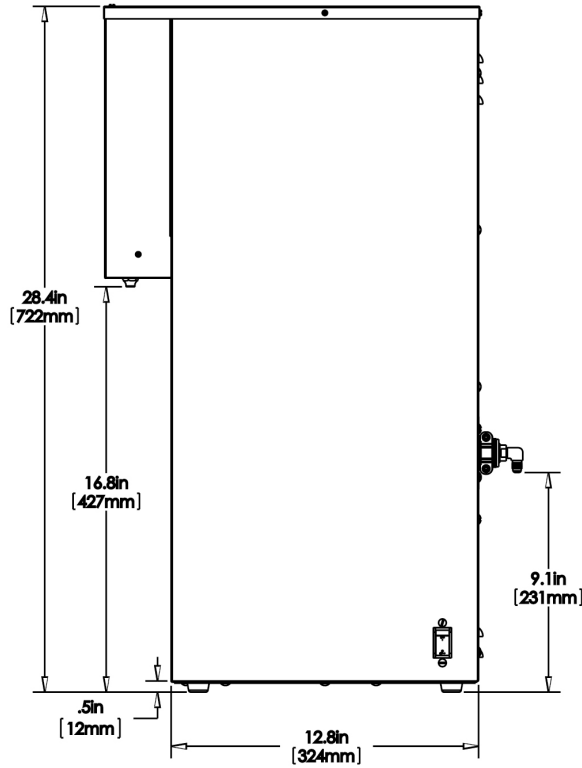
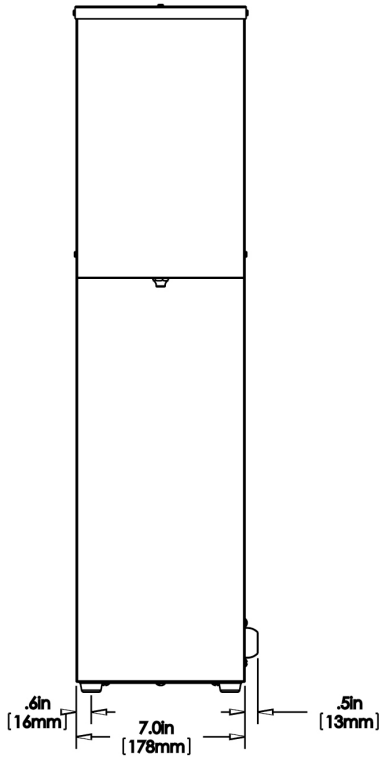
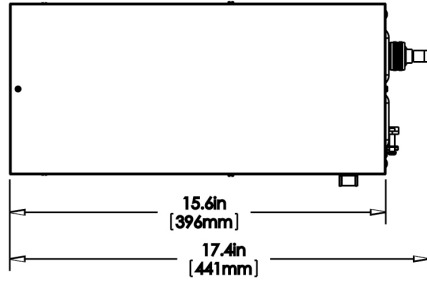
CAD Drawings

2D	Revit	KLC
●		



BUNN® reserves the right to change specifications and product design without notice. Such revisions do not entitle the buyer to corresponding changes, improvements, additions or replacements for previously purchased equipment. For most current specifications and other info visit bunn.com.

Created on:
06/10/2019



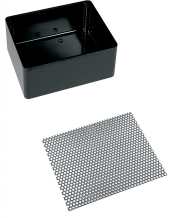
Unit			Shipping					
	Width	Height	Depth	Width	Height	Depth	Weight	Volume
English	7.0 in.	28.4 in.	15.5 in.	20.5 in.	32.5 in.	10.8 in.	30.500 lbs	4.164 ft ³
Metric	17.8 cm	72.1 cm	39.4 cm	52.1 cm	82.6 cm	27.4 cm	13.835 kgs	0.118 m ³



BUNN® reserves the right to change specifications and product design without notice. Such revisions do not entitle the buyer to corresponding changes, improvements, additions or replacements for previously purchased equipment. For most current specifications and other info visit bunn.com.

Created on:
06/10/2019

Related Products & Accessories:H5X-DV PC 212(39100.0005)



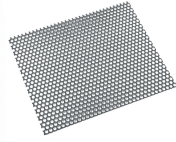
DRIP TRAY KIT (2.5"HT-HW2)

Product #: 02497.0000



DRIP TRAY

Product #: 02545.0000



COVER, DRIP TRAY-PERFORATED

Product #: 02546.0000

FOOT, RUBBER

Product #: 02547.0000



WATER FILTER, EQHP-10L

Product #: 39000.0001



WATER FILTER, EQHP-25L

Product #: 39000.0002

Serving & Holding Options: H5X-DV PC 212(39100.0005)

Serving and Holding selections are currently unavailable. Please contact your sales representative to find out more information.



BUNN® reserves the right to change specifications and product design without notice. Such revisions do not entitle the buyer to corresponding changes, improvements, additions or replacements for previously purchased equipment. For most current specifications and other info visit bunn.com.

Created on:
06/10/2019