

1.9L Thermal Pitcher (6pk)

11.3" x 5.5" x 6.5"
(28.7cm x 14.0cm x 16.5cm)

Feature points are currently unavailable.



Agency:

Specifications

Product #: 39430.0100

Finish: Stainless/Black

Liner: Stainless Steel

Lid Color: Black

Additional Features

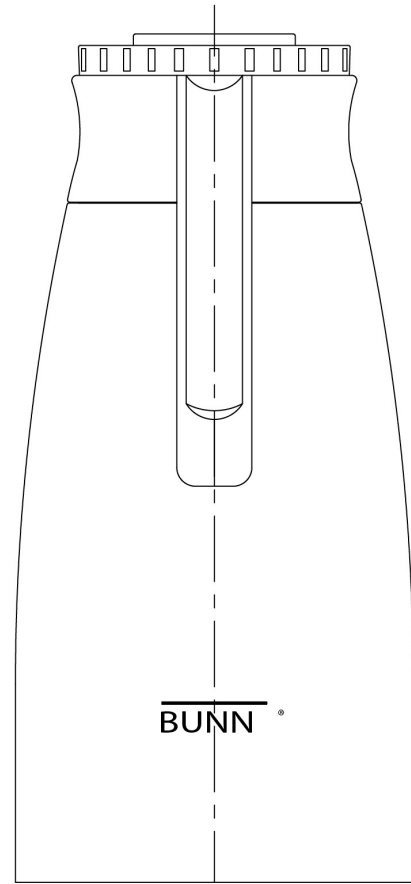
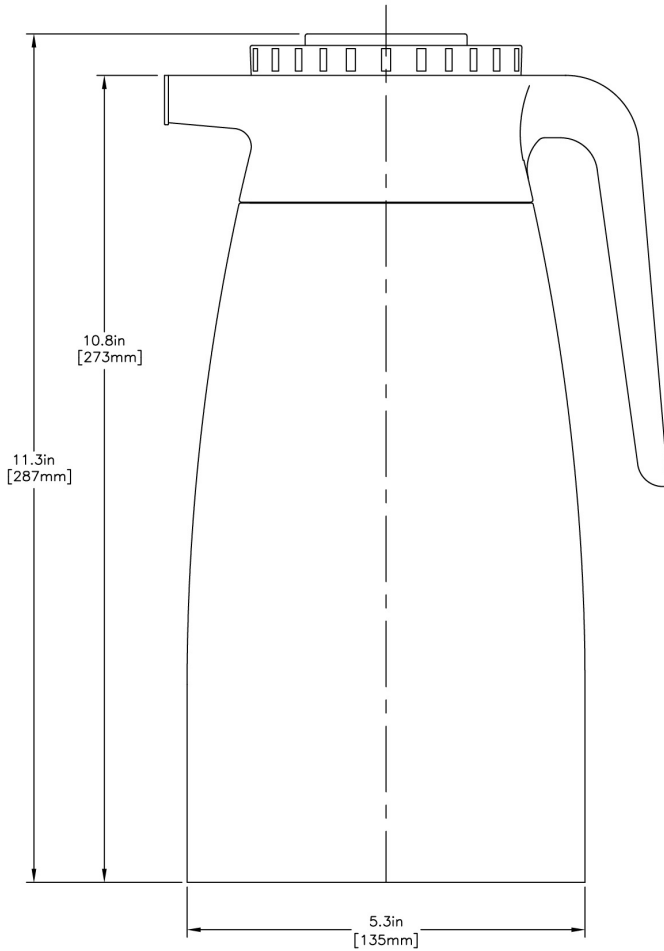
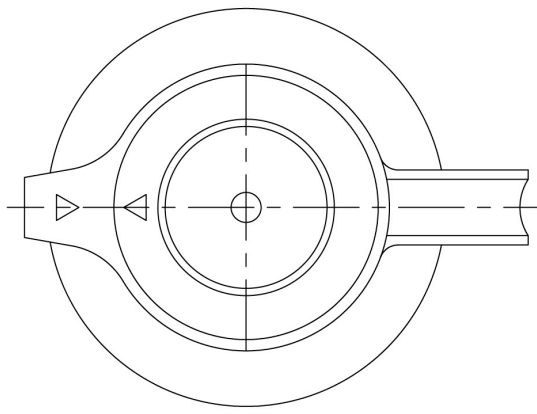
Holding Capacity

English	Metric
-	-



BUNN® reserves the right to change specifications and product design without notice. Such revisions do not entitle the buyer to corresponding changes, improvements, additions or replacements for previously purchased equipment. For most current specifications and other info visit bunn.com.

Created on:
08/30/2017



	Unit			Shipping				
	Width	Height	Depth	Width	Height	Depth	Weight	Volume
English	6.5 in.	11.3 in.	5.5 in.	-	-	-	17.000 lbs	0.242 ft ³
Metric	16.5 cm	28.7 cm	14.0 cm	-	-	-	7.711 kgs	0.007 m ³



BUNN® reserves the right to change specifications and product design without notice. Such revisions do not entitle the buyer to corresponding changes, improvements, additions or replacements for previously purchased equipment. For most current specifications and other info visit bunn.com.

Created on:
08/30/2017

Related Products & Accessories: 1.9L Thermal Pitcher (6pk)(39430.0100)

LID, CARAFE 1.9L-BLK

Product #: 40162.0000

LID, CARAFE 1.9L - ORN

Product #: 40162.0001



BUNN® reserves the right to change specifications and product design without notice. Such revisions do not entitle the buyer to corresponding changes, improvements, additions or replacements for previously purchased equipment. For most current specifications and other info visit bunn.com.

Created on:
08/30/2017