

TF Digital Servers

Features

BUNN ThermoFresh® Digital Servers

- Four-hour digital freshness indicator displays in 15-minute segments.
- Volume indicator displays how much coffee is left inside the server.
- Digital sight gauge operates on four AAA batteries with an average 1-year lifespan. Display shows low battery symbol when replacement is needed.
- Vacuum insulated to keep coffee hot for hours.
- Contemporary styling and wrap program for maximum merchandising.
- Built-in drip tray attached to the server for transportation—easily removed for cleaning.
- Large cup clearance allows for dispensing into cups, decanters and thermal carafes.
- Fast flow faucet.
- Brew-through lid.
- Stackable design for dry storage.
- Ideal for use with Single or Dual TF DBC Brewers.



TF Server

1.5 Gallon Digital (with base)*

Dimensions (1.5 gal w/base): 23.1" H x 9.9" W x 16.3" D
(58.7cm H x 25.1cm W x 41.4cm D)

For current specification sheets and other information, go to www.bunn.com.

* International models may vary in appearance.

Related Products

Dual TF DBC

Product No.: 34600.0001
Dimensions: 35.7" H x 21.8" W x 20.2" D
(90.7cm H x 55.4cm W x 51.3cm D)



Single TF DBC

Product No.: 34800.0000
Dimensions: 35.7" H x 12.1" W x 19.2" D
(90.7cm H x 30.7cm W x 48.8cm D)



Brewer/Server Compatibility	
Brewer	1.5 Gal TF w/base
ICB	No
ITCB (short)	No
ITCB (tall)	Yes
Single TF	Yes
Dual TF	Yes

Model

TF Server, 1.5 Gal digital

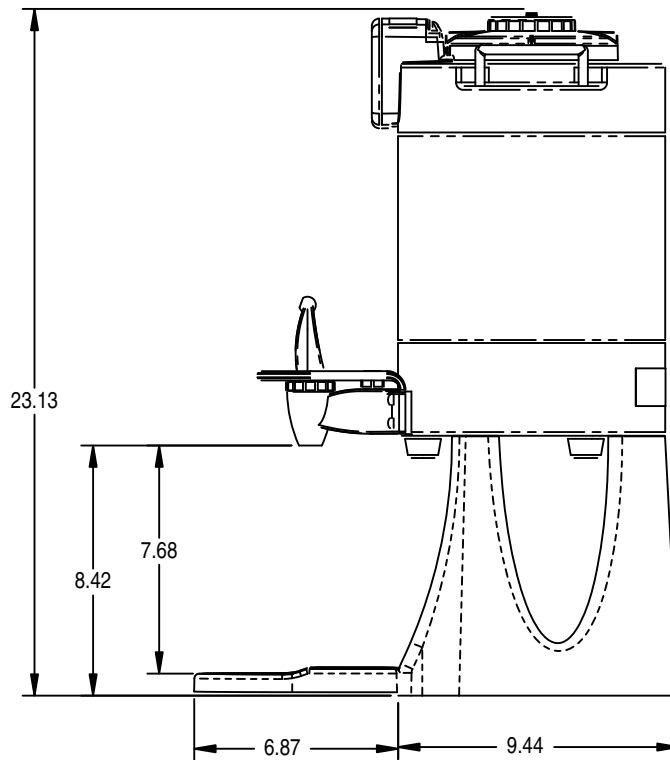
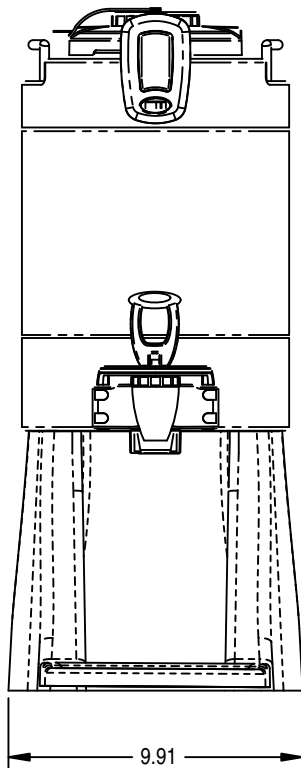
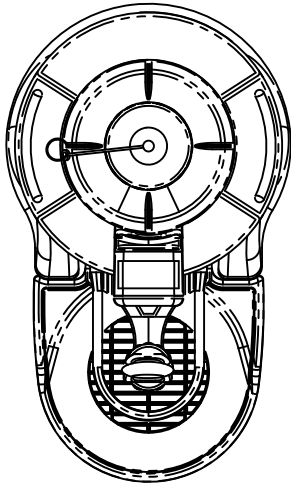
Agency Listing



Dimensions & Specifications

Model	Product #	Volts	Amps	Total Watts	Holding Capacity	Cubic Measure	Shipping Weight	Cord Attached
TF Server, 1.5 Gal digital (with base)	34850.0050	n/a	n/a	n/a	1.5 gallons	2.8 ft ³	14.7 lbs.	No
TF Server, 1.5 Gal digital (with base)*	34850.0051	n/a	n/a	n/a	1.5 gallons	2.8 ft ³	14.7 lbs.	No

* Model has black finish



TF Server, 1.5 Gal Digital

BUNN Corporation - 1400 Stevenson Drive Springfield, Illinois 62703 • 800-637-8606 • 217-529-6601 • Fax 217-529-6644 • www.bunn.com

BUNN® practices continuous product research and improvement. We reserve the right to change specifications and product design without notice. Such revisions do not entitle the buyer to corresponding changes, improvements, additions or replacements for previously purchased equipment.

All dimensions shown in inches. Bunn Corporation owns all copyrights relating to materials in this publication. Please contact Bunn Corporation to request permission to reproduce any portion of this publication.