

BUNN®

1 Hopper Ultra Gourmet Ice® System

ITEM# _____

PROJECT _____

DATE _____



Ultra-1

Dimensions:

31.9"H x 7.9"W x 24.2"D

(81 cm H x 20.1 cm W x 61.5 cm D)

Features

Ultra Gourmet Ice® System

- Patented reversing auger design quickens freeze time and reduces air mixing.
- Very simple to program and run with touchpad display, which also guides cleaning and preventive maintenance.
- Refrigeration system internally monitored to ensure long lasting performance.
- Large 3 gallon (11.4 litre) hopper for optimum cooling and serving capacity.
- Full 2-year parts and 1-year labor warranty. 5-year parts and 1-year labor warranty on compressor and 3-year parts and labor warranty on electronics. See the product manual for additional details.
- Sanitation listed by NSF to Standard 6 and 18 (including dairy & alcohol) and safety listed by ETL to UL Standard (UL 471) and CSA Standard (C22.2 No. 120).
- White/Stainless, Black,Stainless and all Black finishes available.
- International electrical configurations available.

For current specification sheets and other information, go to www.bunn.com.

Related Products

Model

ULTRA-1

Agency Listing



Patents Apply

12/07

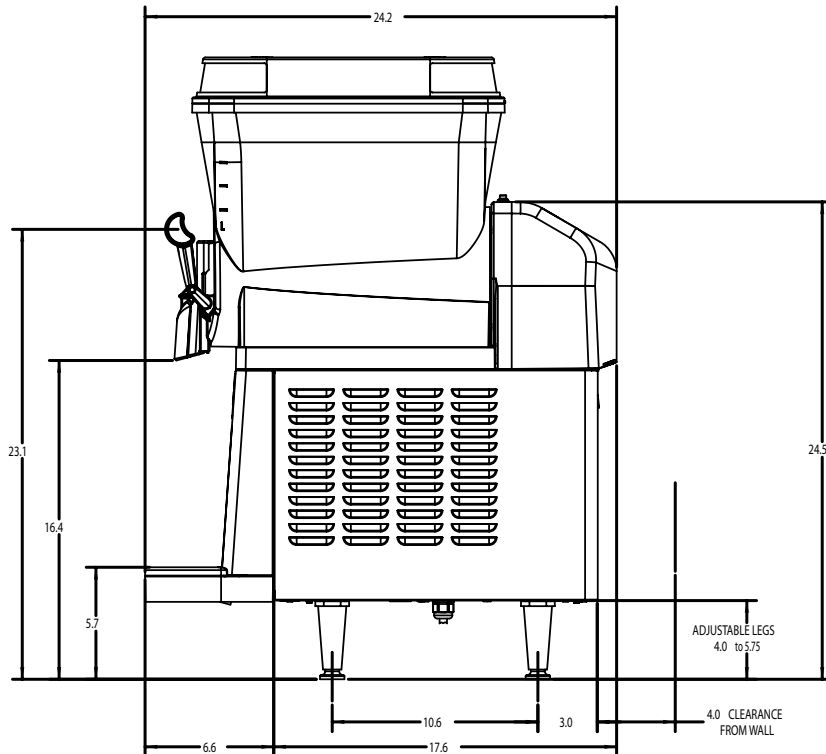
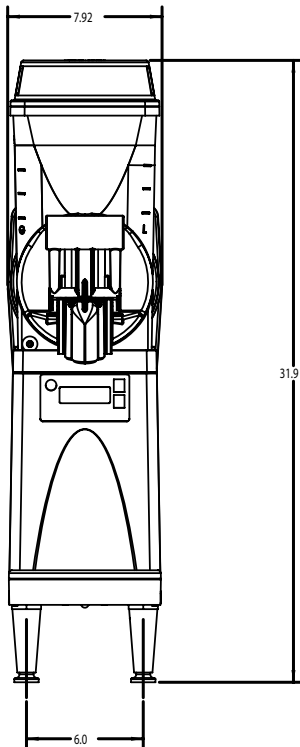
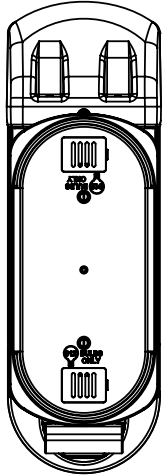
D1.1

Dimensions & Specifications

Model	Product #	Volts	Amps	Capacity	Cubic Measure	Shipping Weight	Cord Attached
ULTRA-1 (Stainless/White)	39800.0000	120	7.5	1 Hopper@3.0 gal	8.4 ft ³	76.4 lbs.	Yes*
ULTRA-1 (Stainless/Black)	39800.0002	120	7.5	1 Hopper@3.0 gal	8.4 ft ³	76.4 lbs.	Yes*
ULTRA-1 (All Black)	39800.0004	120	7.5	1 Hopper@3.0 gal	8.4 ft ³	76.4 lbs.	Yes*

*Power cord (NEMA 5-15P) 15 Amp-120V machine only.

Electrical: Models require 2-wires plus ground service rated 120V, single phase, 60 Hz.



Bunn-O-Matic® Corporation - 1400 Stevenson Drive Springfield, Illinois 62703 • 800-637-8606 • 217-529-6601 • Fax 217-529-6644 • www.bunn.com

BUNN® practices continuous product research and improvement. We reserve the right to change specifications and product design without notice. Such revisions do not entitle the buyer to corresponding changes, improvements, additions or replacements for previously purchased equipment.

All dimensions shown in inches.

12/07 © Bunn-O-Matic Corporation