


WAVE15-APS w/Gourmet Funnel

Height: 17.4" Width: 9.7" Depth: 18.7"
(44.2cm) (24.6cm) (47.5cm)



- BrewMETER® allows automatic programming of pulse routine
- Adjustable legs to accommodate up to 2.5L lever-action airpot and 1.9L thermal pitcher
- Brew into 1.9L thermal carafe using the slide-out booster tray
- Four-digit LED read-out for simple programming
- Utilize the same LED read-out for brewer status (Ready, Heating, Brewing)
- SmartWAVE technology increases turbulence in the brew funnel
- Energy-saver mode reduces tank temperature during idle periods
- Ensures coffee brew quality with cold brew lock out capability
- SplashGard® funnel deflects hot liquids away from the hand
- Gourmet funnel accommodates larger throw weights
- New flexible 17-hole sprayhead maximizes uniformity of extraction and provides easy cleaning and deliming
- Servers not included unless otherwise noted

 Server(s) sold separately

Agency:



Specifications

Product #: 39900.0013

Faucet: Lower

Water Access: Plumbed

Finish: Stainless

Funnel: Gourmet Funnel

Additional Features

Speciality Series

BrewMETER

Electrical & Capacity

Volts*	Amps	Watts	Cord Attached	Plug Type	8oz cups/hr 236ml cups/hr	Input H ₂ O Temp.	Phase	# Wires plus Ground	Hertz
120	11.3	1350	Yes	NEMA 5-15P	62	60°F (15.5°C)	1	2	60

*When a BUNN is machine rated 120/208-240V, 120/208V or 120/240V, the higher voltage is the supply voltage needed to power the machine. The 120V is there to supply power to some components rated 120V in the machine, but it is not the supply voltage and would not power the machine if the machine is marked with the before mentioned ratings.

Plumbing Requirements

PSI	kPa	Fitting Supplied	Water Flow Required (GPM)
20-90	138-621	1/4" Male Flare Fitting	-

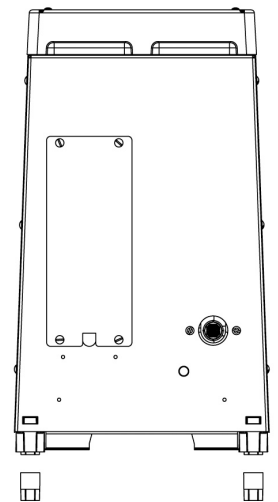
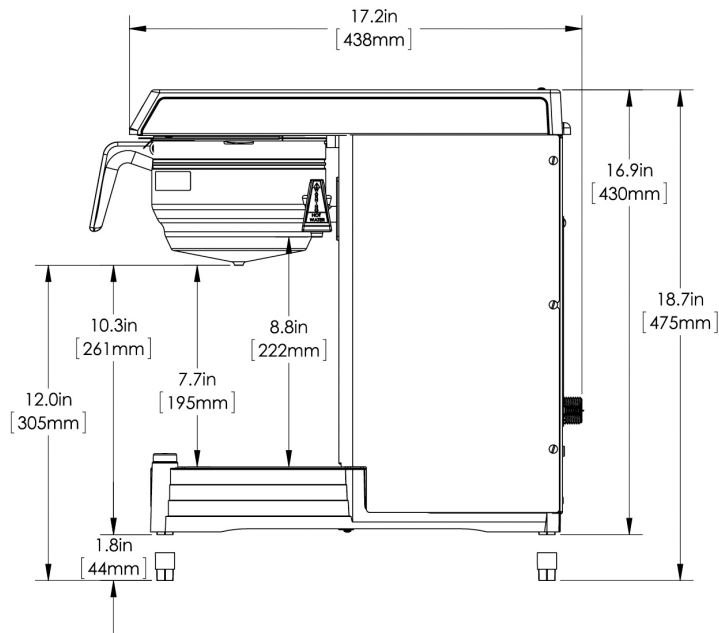
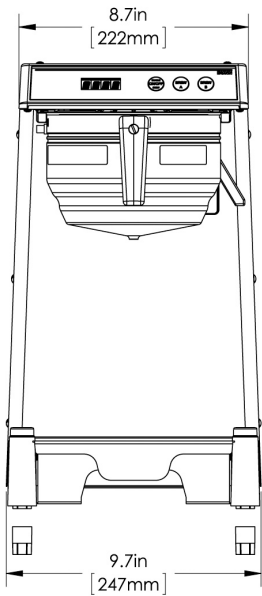
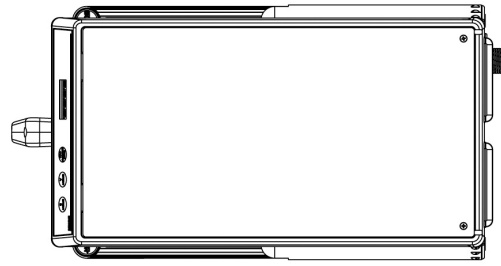
CAD Drawings

2D	Revit	KLC
●		



BUNN® reserves the right to change specifications and product design without notice. Such revisions do not entitle the buyer to corresponding changes, improvements, additions or replacements for previously purchased equipment. For most current specifications and other info visit bunn.com.

Last Updated:
05/15/2020



	Unit			Shipping				
	Height	Width	Depth	Height	Width	Depth	Weight	Volume
English	17.4 in.	9.7 in.	18.7 in.	19.5 in.	12.4 in.	19.5 in.	25.880 lbs	2.723 ft ³
Metric	44.2 cm	24.6 cm	47.5 cm	49.5 cm	31.4 cm	49.5 cm	11.739 kgs	0.077 m ³



BUNN® reserves the right to change specifications and product design without notice. Such revisions do not entitle the buyer to corresponding changes, improvements, additions or replacements for previously purchased equipment. For most current specifications and other info visit bunn.com.

Last Updated:
05/15/2020

Related Products & Accessories:WAVE15-APS w/Gourmet Funnel(39900.0013)



FILTERS,C GOURMET
500/2 50/CL

Product #: 20157.0000



FUNNEL AY,W/DECAL
GRT "C"7.12

Product #: 34559.0000



SPRAYHEAD ASSY,
FLEX 17 HOLE

Product #: 41160.1000



BUNN® reserves the right to change specifications and product design without notice. Such revisions do not entitle the buyer to corresponding changes, improvements, additions or replacements for previously purchased equipment. For most current specifications and other info visit bunn.com.

Last Updated:
05/15/2020

Serving & Holding Options: WAVE15-APS w/Gourmet Funnel(39900.0013)



AIRPOT, 2.5L GL PB
SINGLE PK

Product #:13041.0001



AIRPOT, 2.5L GL PB 6/
CASE

Product #:13041.0101



TSR-1,THERMAL SRVR
RACK-1 POSN

Product #:18008.6001



AIRPOT, 2.2L GL PB
SINGLE PK

Product #:28696.0002

NO IMAGE
AVAILABLE

AIRPOT, 2.2L GL PB 6/
CASE

Product #:28696.0006



AIRPOT, 2.5L SST LA
SINGLE PK

Product #:32125.0000



AIRPOT, 2.5L SST LA 6/
CASE

Product #:32125.0100



AIRPOT, 3.0L SST LA
SINGLE PK

Product #:32130.0000



AIRPOT, 3.0L SST LA 6/
CASE

Product #:32130.0100



THERMAL CARAFE, BLK
1.83 L 1PK

Product #:36029.0001



THERMAL CARAFE,ORN
1.9L 12PK

Product #:36252.0000



THERMAL CARAFE,ORN
1.9L 1PK

Product #:36252.0001



PITCHER,SST 1.9L TALL-
SNGL PK

Product #:39430.0000



PITCHER,SST 1.9L
TALL-6/CASE

Product #:39430.0100



CARAFE,SST 1.9L SHRT
BLK 1

Product #:40163.0000



CARAFE,SST 1.9L SHRT
ORN 1/

Product #:40163.0001



CARAFE,SST 1.9L SHRT
BLK 12/

Product #:40163.0100



CARAFE,SST 1.9L SHRT
ORN 12/

Product #:40163.0101

NO IMAGE
AVAILABLE

THERMAL SRVR, 2.5L 6/
CS NO BASE GL LINR

Product #:45882.0001



THERMAL SRVR, 2.5L
NO BASE GL LINER

Product #:45882.0003



BUNN® reserves the right to change specifications and product design without notice. Such revisions do not entitle the buyer to corresponding changes, improvements, additions or replacements for previously purchased equipment. For most current specifications and other info visit bunn.com.

Last Updated:
05/15/2020