


LCR-3 DBC HV (w/ LiquiBox QC/DII)

40.0" x 23.6" x 33.0"
(101.6cm x 59.9cm x 83.8cm)



 Servers and airpots sold separately

- 18gal (82L) tank capacity
- 3-phase or single phase operation
- Accommodates up to three 1gal (3.8L) bag-in-box (BIB) containers
- Each dispense button allows the option of up to 3 portion sizes via rotary selection switch
- In two flavor mode, the optional "Auto-Switching" function automatically switches from an empty BIB to a secondary BIB (left and middle pump only)
- LCD screen for programming and user interface
- Includes threaded dispense nozzle and 4 foot (1.2m) dispense hose that may be attached for easy dispensing into any server
- Manual hot water faucet
- Three dispense buttons allow operator to dispense three independent ratios
- Refrigerated product cabinet extends product flavor profile, adjustable to maintain 41° to 65°F in the product compartment

Agency:



Specifications

Product #: 40800.0002

Product Ratio: 25:1-100:1

Connector: LiquiBox QC/D II

Water Access: Plumbed

Finish: Stainless

Additional Features

Electrical & Capacity

Volts	Amps	Watts	Cord Attached	Plug Type	8oz cups/hr 236ml cups/hr	Input H ₂ O Temp.	Phase	# Wires plus Ground	Hertz
120/240	37.6	15000	No	-	2700	60°F (15.5°C)	3	4	60
120/240	43	10400	-	N/A	-	60°F (15.5°C)	1	3	60
120/208	33	12000	-	N/A	-	60°F (15.5°C)	3	4	60

Plumbing Requirements

PSI	kPa	Fitting Supplied	Water Flow Required (GPM)
20-90	138-621	3/8" Male Flare Fitting	-

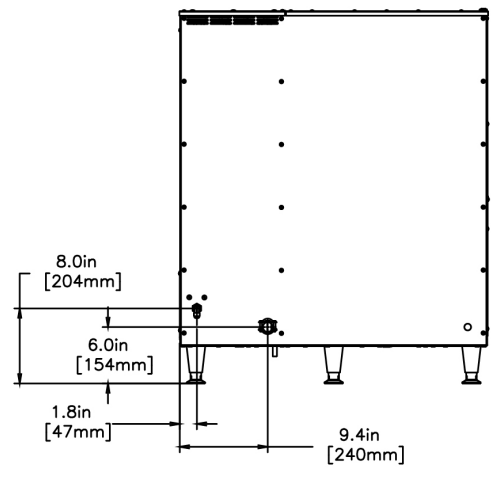
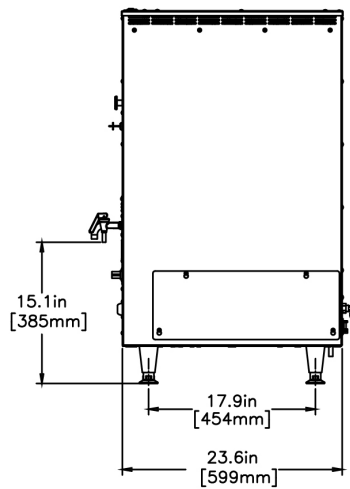
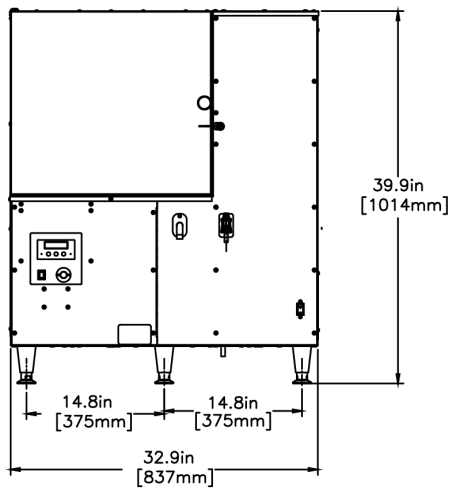
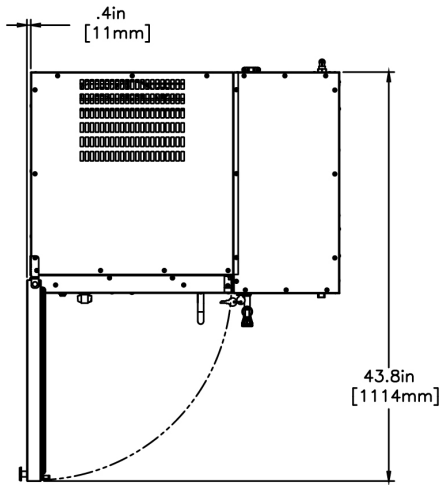
CAD Drawings

2D	Revit	KLC
●		



BUNN® reserves the right to change specifications and product design without notice. Such revisions do not entitle the buyer to corresponding changes, improvements, additions or replacements for previously purchased equipment. For most current specifications and other info visit bunn.com.

Created on:
07/24/2017



	Unit			Shipping				
	Width	Height	Depth	Width	Height	Depth	Weight	Volume
English	33.0 in.	40.0 in.	23.6 in.	-	-	-	225.500 lbs	-
Metric	83.8 cm	101.6 cm	59.9 cm	-	-	-	102.287 kgs	-



BUNN® reserves the right to change specifications and product design without notice. Such revisions do not entitle the buyer to corresponding changes, improvements, additions or replacements for previously purchased equipment. For most current specifications and other info visit bunn.com.

Created on:
07/24/2017

Related Products & Accessories: LCR-3 DBC HV (w/ LiquiBox QC/DII)(40800.0002)



WATER FILTER,
EDSS-11-T200F(1)

Product #: 30370.1000



CARTRIDGE, EDSS-11-
T200F-1 (1)

Product #: 30370.1001



CYLINDER, GRAD 250
ML x 2ML

Product #: 34028.0000



CONNECTOR, SCHOLLE
1910-3/16"

Product #: 35057.0000



WATER FILTER,
EQHP-54L

Product #: 39000.0003



WATER FILTER,
EQHP-54

Product #: 39000.0006

KIT, HOSE ASSY
DISPENSE LCR-3HV

Product #: 43402.1000



BUNN® reserves the right to change specifications and product design without notice. Such revisions do not entitle the buyer to corresponding changes, improvements, additions or replacements for previously purchased equipment. For most current specifications and other info visit bunn.com.

Created on:
07/24/2017