

# ITB-DBC LP

28.8" x 21.9" x 11.6"  
(73.2cm x 55.6cm x 29.5cm)



- 
- 
- Includes Quickbrew (Q) funnel tip for easy conversion
- Includes single button graphic overlay for customizing the user interface
- Brews directly into TDO-3.5gal dispenser with brew-through lid
- Brew counter keeps track of how many batches brewed
- Display advertising messages and machine status
- Easy pulse display allows for simplified programming of pulse routine
- Energy-saver mode reduces tank temperature during idle periods
- English and Spanish alphanumeric display
- Sleek, compact, low-profile styling to accommodate a variety of spaces
- SplashGard® funnel deflects hot liquids away from the hand

Agency:



## Specifications

**Product #:** 41400.0004  
**Water Access:** Plumbed  
**Finish:** Stainless  
**Funnel:** Translucent Tea Funnel

## Additional Features

Quickbrew Funnel Tip  
 Quick Brew

## Electrical & Capacity

| Volts | Amps | Watts | Cord Attached | Plug Type  | 8oz cups/hr<br>236ml cups/hr | Input H <sup>2</sup> O Temp. | Phase | # Wires plus Ground | Hertz |
|-------|------|-------|---------------|------------|------------------------------|------------------------------|-------|---------------------|-------|
| 120   | 14   | 1700  | Yes           | NEMA 5-15P | 336                          | 60°F (15.5°C)                | 1     | 2                   | 60    |

## Plumbing Requirements

| PSI   | kPa     | Fitting Supplied        | Water Flow Required (GPM) |
|-------|---------|-------------------------|---------------------------|
| 20-90 | 138-621 | 1/4" Male Flare Fitting | -                         |

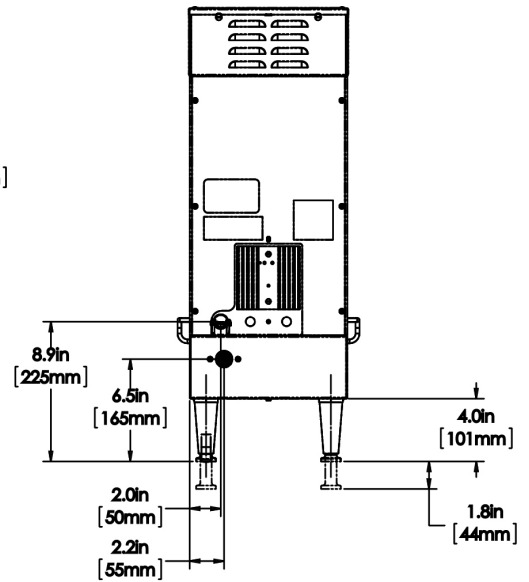
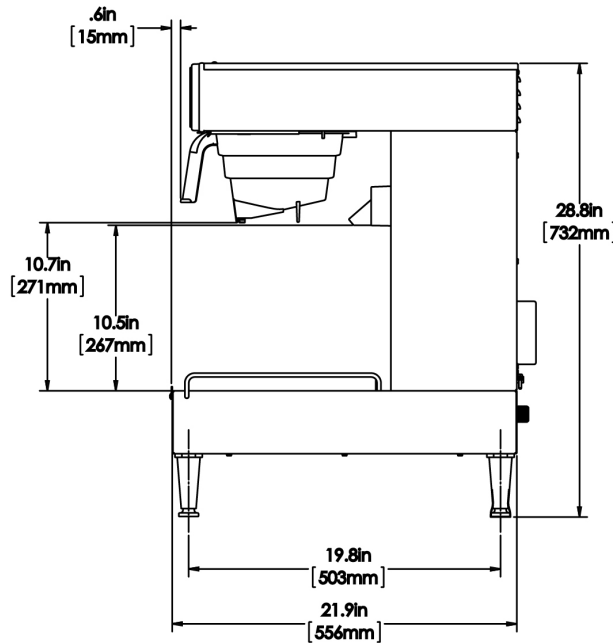
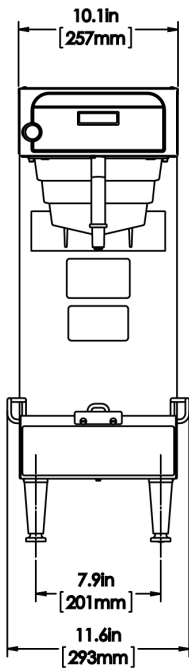
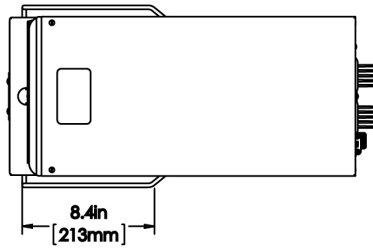
## CAD Drawings

| 2D | Revit | KLC |
|----|-------|-----|
| ●  |       |     |



BUNN® reserves the right to change specifications and product design without notice. Such revisions do not entitle the buyer to corresponding changes, improvements, additions or replacements for previously purchased equipment. For most current specifications and other info visit [bunn.com](http://bunn.com).

Created on:  
05/11/2018



| Unit    |          |          |          | Shipping |        |       |            |        |
|---------|----------|----------|----------|----------|--------|-------|------------|--------|
|         | Width    | Height   | Depth    | Width    | Height | Depth | Weight     | Volume |
| English | 11.6 in. | 28.8 in. | 21.9 in. | - in.    | - in.  | - in. | 36.260 lbs | -      |
| Metric  | 29.5 cm  | 73.2 cm  | 55.6 cm  | - cm     | - cm   | - cm  | 16.448 kgs | -      |



BUNN® reserves the right to change specifications and product design without notice. Such revisions do not entitle the buyer to corresponding changes, improvements, additions or replacements for previously purchased equipment. For most current specifications and other info visit [bunn.com](http://bunn.com).

Created on:  
05/11/2018

## Related Products & Accessories:ITB-DBC LP(41400.0004)



FUNNEL AY,SMOKE-  
QUICK BREW(TW

Product #: 03021.0005



FILTERS TEA/SYS2  
500PK/1 50/CL

Product #: 20100.0000



POUCHPACK FUNL AY,  
TEA S-T

Product #: 35282.0002



WATER FILTER, EQHP-  
TEA

Product #: 39000.0007



CARTRIDGE, EQHP-  
TEACRTG

Product #: 39000.1007



BUNN® reserves the right to change specifications and product design without notice. Such revisions do not entitle the buyer to corresponding changes, improvements, additions or replacements for previously purchased equipment. For most current specifications and other info visit [bunn.com](http://bunn.com).

Created on:  
05/11/2018

# Serving & Holding Options: ITB-DBC LP(41400.0004)



TDO-3.5,LP RSVR BREW  
THRU

Product #:37100.0000



BUNN® reserves the right to change specifications and product design without notice. Such revisions do not entitle the buyer to corresponding changes, improvements, additions or replacements for previously purchased equipment. For most current specifications and other info visit [bunn.com](http://bunn.com).

Created on:  
05/11/2018