

5 Gallon Element Hot Water Dispenser

ITEM#

PROJECT

DATE



H5E/H5X Element

Dimensions: 28.5"H x 7.1"W x 17.5"D
(72.4cm H x 18.03cm W x 44.5cm D)

Features

Providing accuracy, adjustability, energy efficiency and styling to our quality line of hot water equipment

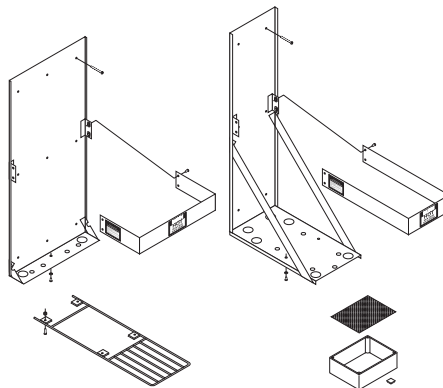
- Digital thermostat provides consistent and accurate temperatures of 60°-212°F (15.6°-100°C).
- New contemporary, space-saving design.
- LED display provides simple temperature adjustment.
- Programmable "Energy Saver Mode" reduces operating cost during idle periods.
- Thinsulate® tank insulation provides over 20% more energy savings.
- The perfect tool for added control over quality coffee and tea.

For current specification sheets and other information, go to www.bunn.com.

Related Products

Easy Clear® EQHP-10
Product No. : 39000.0004

Easy Clear® EQHP-10L
Product No. : 39000.0001



1. Wall Mount Bracket (side)

Product No. : 12542.0000
Dimensions: 30" H x 13 1/2" W x 4 1/2" D
76.2 cm H x 34.29 cm W x 11.43 cm D

2. Wall Mount Bracket (front)

Product No. : 13125.0001
Dimensions: 30 1/2" H x 8 1/2" W x 15 1/4" D
77.47 cm H x 21.59 cm W x 38.74 cm D

3. Container Holding Shelf

Product No. : 12599.0000
Dimensions: 6 3/4" W x 21" D
17.15 cm W x 53.34 cm D

4. Drip Tray

Product No. : 02497.0000

Model

H5E Element
H5X Element

Agency Listing



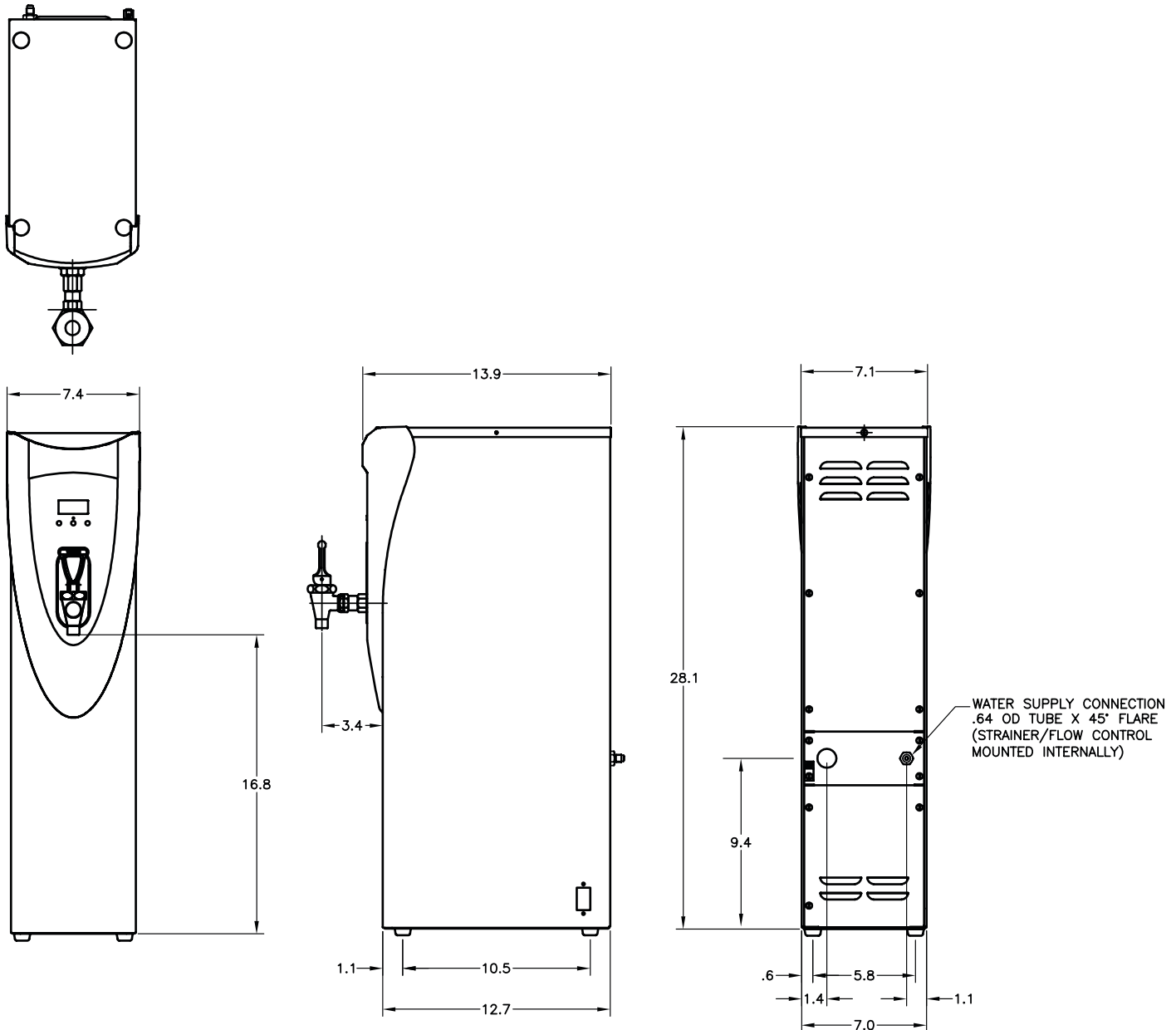
Dimensions & Specifications

Model	Product #	Volts	Amps	Tank Heater Watts	Total Watts	°F Settings	Gal./Hr. cold water input 35°	Gal./Hr. hot water input 140°	Cu. Ft.	Shipping Weight	Cord Attached
H5E-40-208	43600.0000	208	19.5	4000	4050	200	<i>Varies with application</i>		4.1 ft ³	32 lbs.	No
H5X-40-208	43600.0002	208	19.5	4000	4050	212	7.3	14.7	4.1 ft ³	32 lbs.	No

Electrical: All models require 2-wires plus ground service, 208V, single-phase, 60Hz.

Supplied strain relief on rear side of machine.

Plumbing: 20-90 psi (138-621 kPa). Machine supplied with ¼" OD male flare fitting.



Bunn-O-Matic® Corporation - 1400 Stevenson Drive Springfield, Illinois 62703 • 800-637-8606 • 217-529-6601 • Fax 217-529-6644 • www.bunn.com

BUNN® practices continuous product research and improvement. We reserve the right to change specifications and product design without notice. Such revisions do not entitle the buyer to corresponding changes, improvements, additions or replacements for previously purchased equipment.

All dimensions shown in inches.