

# 1.5Gal(5.7L) TF Srvr w/ Base, MSG SST

22.9" x 13.0" x 9.3"  
(58.2cm x 33.0cm x 23.6cm)



- Vacuum insulated to keep coffee hot for hours
- Brew-through lid
- Contemporary styling and wrap program for maximum merchandising
- Drip tray is easily removed for cleaning or to provide extra clearance for dispensing into pitchers
- Fast flow faucet
- Ideal for use with Single or Dual TF DBC Brewers
- Integrated sight gauge assembly allows for easy cleaning
- Large cup clearance allows for dispensing into cups, decanters and thermal carafes
- Translucent faucet guard provides increased visibility while dispensing

Agency:



## Specifications

Product #: 44050.0000

Finish: Stainless

## Additional Features

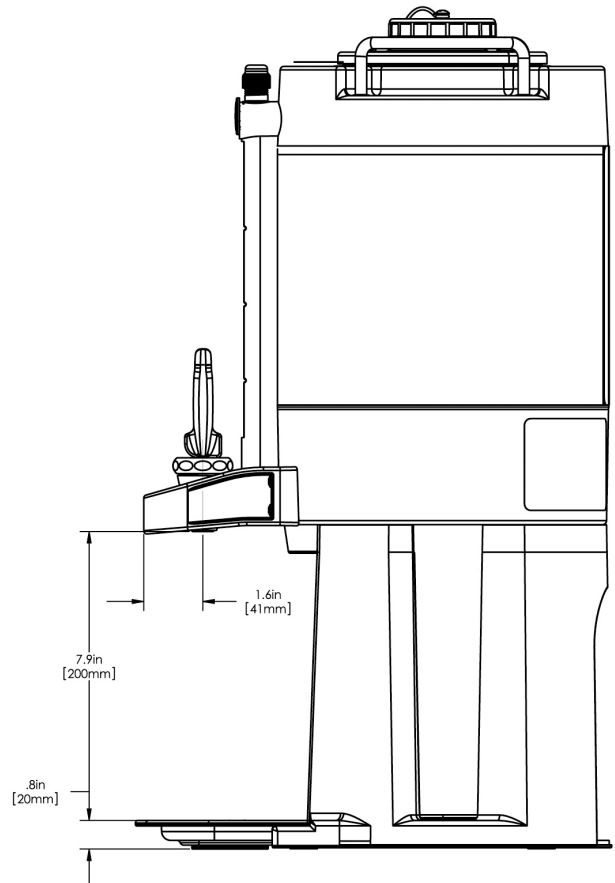
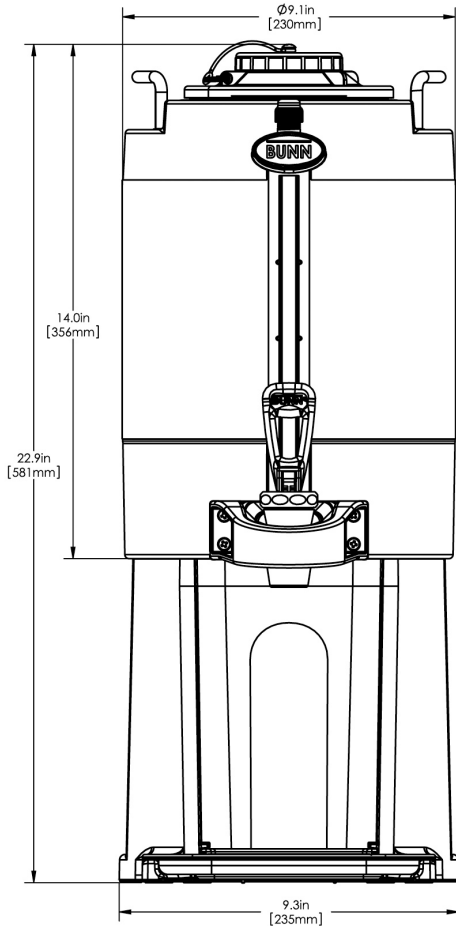
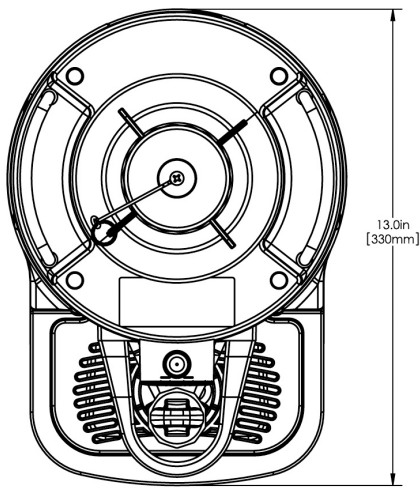
## Holding Capacity

English	Metric
-	-



BUNN® reserves the right to change specifications and product design without notice. Such revisions do not entitle the buyer to corresponding changes, improvements, additions or replacements for previously purchased equipment. For most current specifications and other info visit [bunn.com](http://bunn.com).

Created on:  
07/11/2018



	Unit			Shipping				
	Width	Height	Depth	Width	Height	Depth	Weight	Volume
English	9.3 in.	22.9 in.	13.0 in.	12.3 in. in.	26.5 in. in.	15.3 in. in.	13.500 lbs	2.865 ft <sup>3</sup>
Metric	23.6 cm	58.2 cm	33.0 cm	31.1 cm cm	67.3 cm cm	38.7 cm cm	6.124 kgs	0.081 m <sup>3</sup>



BUNN® reserves the right to change specifications and product design without notice. Such revisions do not entitle the buyer to corresponding changes, improvements, additions or replacements for previously purchased equipment. For most current specifications and other info visit [bunn.com](http://bunn.com).

Created on:  
07/11/2018