

# BUNN®

## Pourover Coffee Brewer with 3 Warmers

ITEM#

PROJECT

DATE

### Features

#### Low Profile Pourover Coffee Brewer

- Brews 3.8 gallons (14.4 litres) of perfect coffee per hour.
- Pourover brewer requires no plumbing – completely portable.
- Stainless steel or black finish.
- Three separately controlled warmers.
- SplashGard® funnel deflects hot liquids away from the hand.
- International electrical configurations available.



#### Model VP17-3

(decanter not included)

Dimensions: 18.9" H x 8.5" W x 17.7" D  
(48cm H x 21.6cm W x 45cm D)



#### Model VP17-3

(decanter not included)

Dimensions: 17.8" H x 16.4" W x 17.7" D  
(45.2cm H x 41.7cm W x 45cm D)

For current specification sheets and other information, go to [www.bunn.com](http://www.bunn.com).

### Related Products

#### Paper Filter Pack

Product No. : 20115.0000

Packed per case: 1,000

Dimensions: 4 1/4" Base x 2 3/4" Sidewall  
10.8 cm Base x 6.98 cm Sidewall



#### WX1-warmer

Product No. : 06450.0004

One position warmer



#### WX2-warmer

Product No. : 06310.0004

Two position warmer



#### Easy Pour® black decanter

Product No. : 06100.0101

Quantity: 1 (also packaged in quantities of 2, 3, 6, 12, & 24)



#### Easy Pour® orange decanter (for decaf)

Product No. : 06101.0101

Quantity: 1 (also packaged in quantities of 2, 3, 6, 12, & 24)



#### Model

VP17-3 SST

VP17-3 BLK

#### Agency Listing



Patents Apply

1/10

A5.5

## Dimensions & Specifications

Model	Product #	Volts	Amps	Tank Heater Watts	Total Watts	Brewing Capacity	Cu. Ft.	Shipping Weight	Cord Attached
VP17-3 SS (3 lower)	13300.0003	120	13.9	1320	1670	3.8 gal./hr.	6.4	29 lbs.	Yes*
VP17-3 BLK (3 lower)	13300.0013	120	13.9	1320	1670	3.8 gal./hr.	6.4	32 lbs.	Yes*
VP17-3 SS (2 upper)	13300.0004	120	13.9	1320	1670	3.8 gal./hr.	4.7	27 lbs.	Yes*

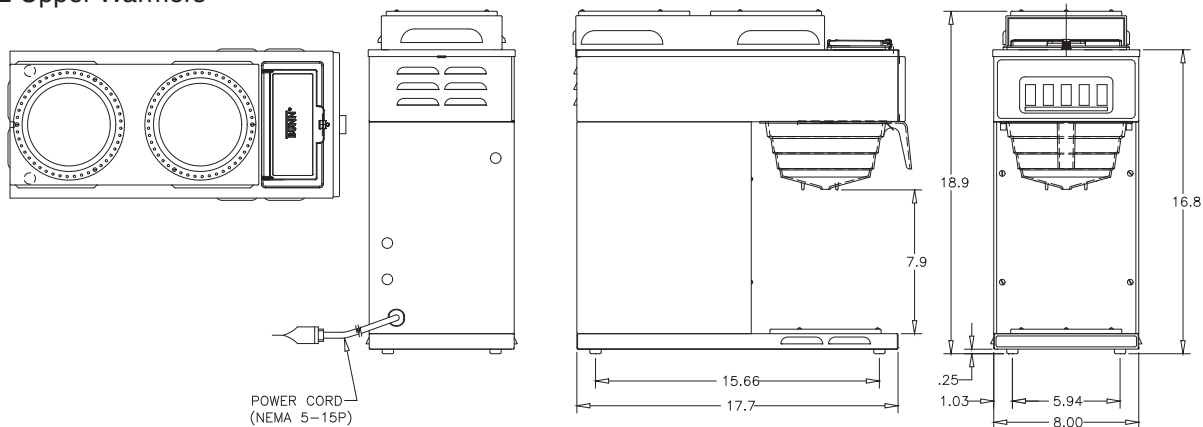
\*Power cord (NEMA 5-15P) 15 amp 120 V machine only.

**Brewing capacity:** based upon incoming water temp of 60°F (140°F rise) per 1/2 gallon brew time of 4 minutes.

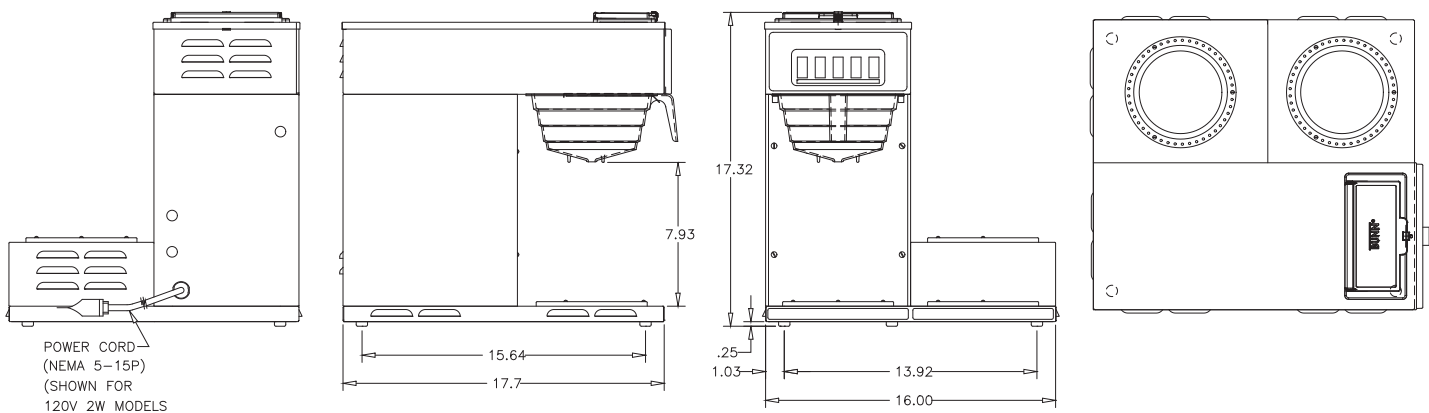
Electrical: Models require 2-wires plus ground service rated 120V, single phase, 60 Hz.

Plumbing: No plumbing needed.

### 2 Upper Warmers



### 3 Lower Warmers



Bunn-O-Matic® Corporation - 1400 Stevenson Drive Springfield, Illinois 62703 • 800-637-8606 • 217-529-6601 • Fax 217-529-6644 • www.bunn.com

BUNN® practices continuous product research and improvement. We reserve the right to change specifications and product design without notice. Such revisions do not entitle the buyer to corresponding changes, improvements, additions or replacements for previously purchased equipment.

All dimensions shown in inches.

1/10 © Bunn-O-Matic Corporation

KaTom Restaurant Supply, Inc.