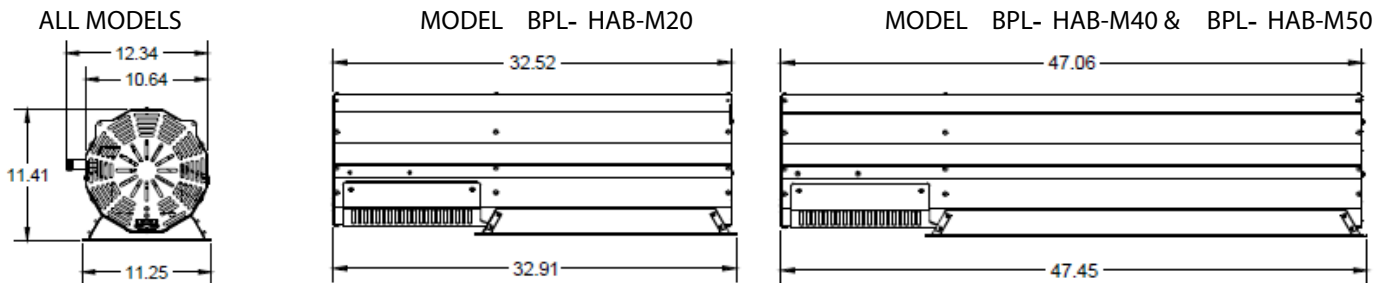


# BERNER PATIO HEATERS Luminous

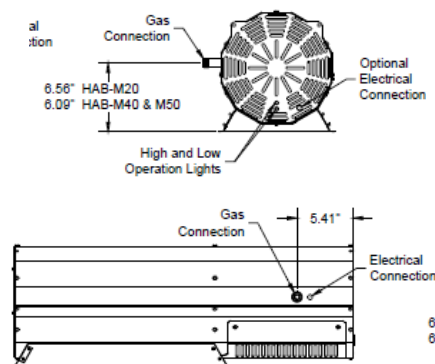
## Luminous Radiant Patio Heater

### Series Luminous - BPL- HAB Models

SPECIFICATIONS	MODEL BPL- HAB-M20	MODEL BPL- HAB-M40	MODEL BPL- HAB-M50
Electrical Supply	Wired 24V AC Control Circuit, 60 Hz with L, N and Ground (GND)		
Transformer Required	20VA per unit		
Control	Two-Stage, Direct Spark		
Fuel	NG Only		
Inlet Connection	1/2" Male NPT		
Operating Pressure NG	Min 7" W.C / Max 14" W.C		
High Fire NG	20,000 BTU/HR	40,000 BTU/HR	50,000 BTU/HR
Low Fire NG	15,000 BTU/HR	32,000 BTU/HR	42,000 BTU/HR

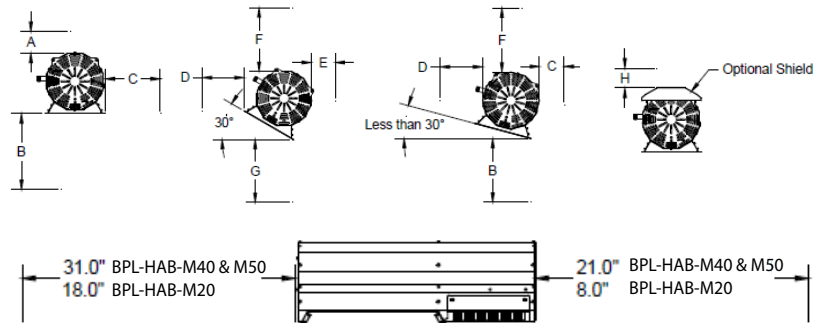


#### GAS & ELECTRICAL LOCATIONS

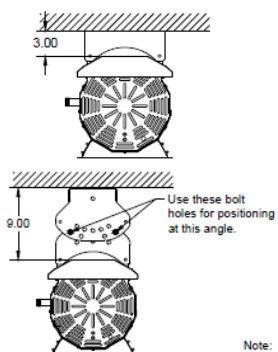


#### CLEARANCE TO COMBUSTIBLES

Model #	Dim A	Dim B	Dim C	Dim D	Dim E	Dim F	Dim G	Dim H
BPL-HAB-M20	9	47	17	29	8.5	9	38	3
BPL-HAB-M40	13	75	34	48	10	16	66	9
BPL-HAB-M50	13	75	34	48	10	16	66	9

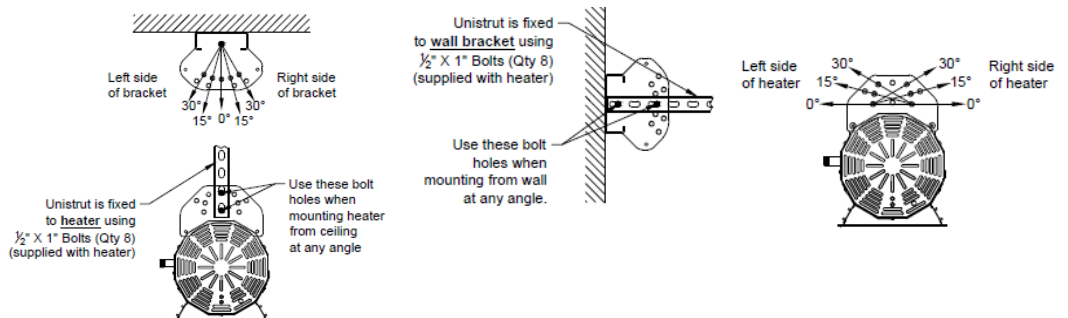


#### LOW CLEARANCE MOUNTING KITS (optional)



Note: Other

#### STANDARD CEILING & WALL MOUNTING KITS (optional)



Note: Other clearances must be maintained as per clearance to combustibles