

**STANDARD FEATURES**

- ◆ 7½" high
- ◆ 1/5 hp direct driven motor(s)
- ◆ Factory installed "intelliswitch" digital programmable controller - *see features below*
- ◆ Aluminum air directional vanes
- ◆ Clear anodized aluminum exterior cabinet
- ◆ Wall mounting plate and ¼" threaded inserts for top mounting

- ◆ Aluminum cross-flow blower wheels
- ◆ UL Listed - Indoor/Outdoor Use (United States, Canada)
- ◆ Five year parts warranty
- ◆ Crafted with Pride in the USA

**OPTIONAL FEATURES**

- ◆ Bronze anodized aluminum finish
- ◆ Stainless steel finish

MODEL	Nozzle Width (in)	Max. Velocity (fpm)	Avg. Outlet Velocity (fpm)	Air Volume (scfm)	Motor(s) @ hp	Power Rating (kW)	Outlet Velocity Uniformity (%)	Net Wgt (lbs)	Ship Wgt (lbs)
ZPR1030A	28.00	3000	1777	691	1 @ 1/5	.18	89	33	42
ZPR1036A	35.25	3000	2118	1036	1 @ 1/5	.32	94	38	45
ZPR1042A	41.25	3000	2115	1212	1 @ 1/5	.32	94	43	50
ZPR1048A	47.25	3000	2104	1381	1 @ 1/5	.32	94	48	56
ZPR1060A	59.00	3000	2052	1682	1 @ 1/5	.32	94	57	65
ZPR1072A	72.50	3000	2118	2072	1 @ 1/5	.32	94	64	73
ZPR2084A	84.25	3000	2115	2424	2 @ 1/5	.64	94	86	95
ZPR2096A	96.25	3000	2104	2762	2 @ 1/5	.64	94	96	106
ZPR2120A	119.75	3000	2046	3364	2 @ 1/5	.64	94	114	130


MOTOR VOLTAGES/AMP DRAWS					
Volts	120	208	240	120*	240*
Phase	1	1	1	1	1
Hertz	60	60	60	50	50
Amps per Motor	3.4	1.7	1.7	2.8	1.4

\* Operation at 50 Hz will generate approximately a 17% reduction in performance.

VELOCITY PROJECTION <i>Model ZPR1036A</i>			
Distance from Nozzle (ft)	2	3	4
Core Velocity (fpm)	1824	1509	1292

Sound level measured 10' (3m) from the unit in free field:  
1 Motor **54 dBA**  
2 Motors **57 dBA**



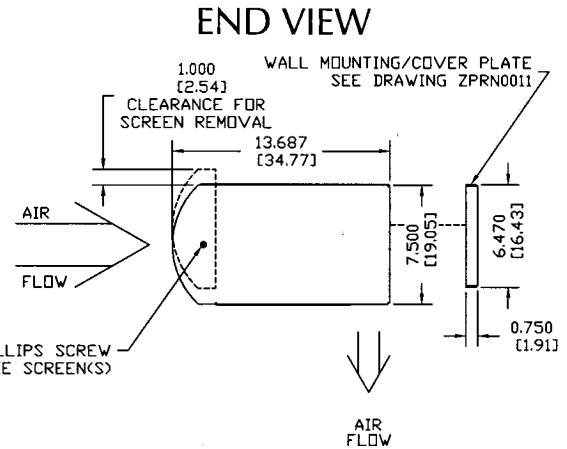
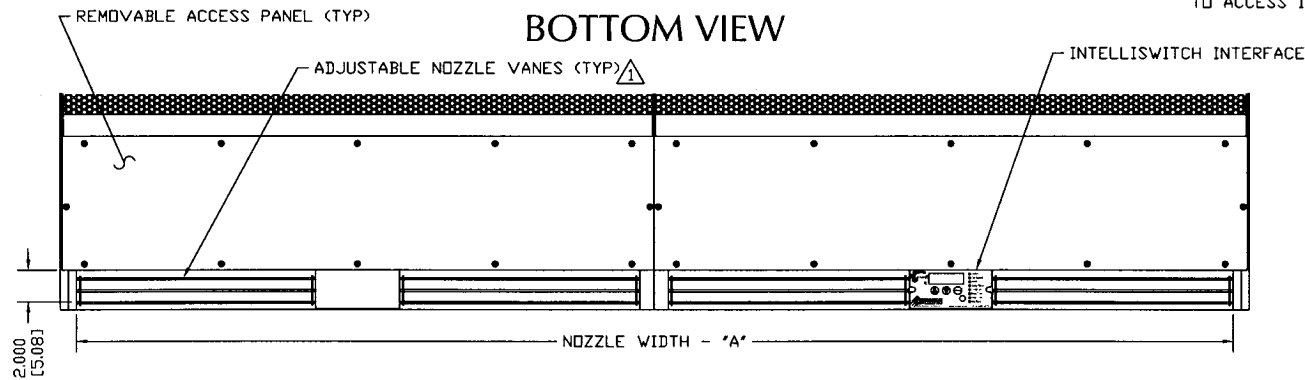
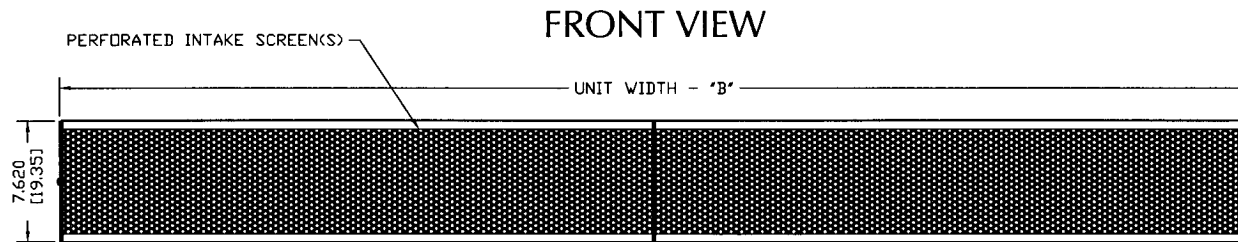
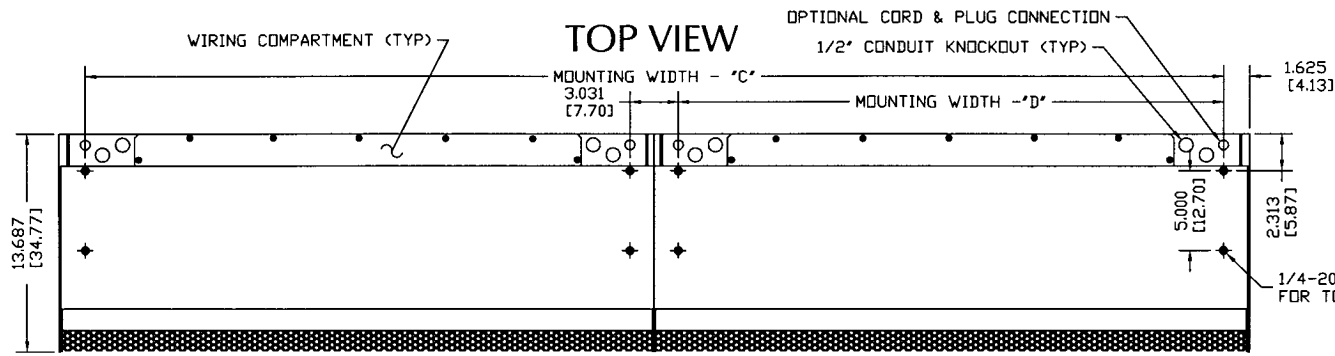


**Intelliswitch Features**

- ◆ Time Delay
- ◆ 10 Speed Fan Slection
- ◆ On/Off/Auto Operation
- ◆ Start/Stop Times
- ◆ Low Voltage Control Circuit
- ◆ Time Clock
- ◆ LED Display
- ◆ Lockable Display

*Berner reserves the right to alter specifications without prior notice.*

# ZEPHYR AMBIENT SYSTEM



## NOTES:

- ① AIR CURTAIN MUST BE INSTALLED SO AIR STREAM IS NOT OBSTRUCTED WHEN DEFLECTED 20° TO EITHER SIDE OF  $\phi$ .
- ② ELECTRICAL CONNECTIONS TO BE FLEXIBLE.
- ③ FIELD VERIFY DIMENSIONS.
- ④ ANCHORS TO SUPPORTING STRUCTURE BY OTHERS.
- ⑤ ADEQUACY OF SUPPORTING STRUCTURE IS TO BE VERIFIED BY A PROFESSIONAL STRUCTURAL ENGINEER.
- ⑥ LETTER 'A' IN MODEL NUMBER DESIGNATES AMBIENT UNIT.
- ⑦ DIMENSIONS IN INCHES [CENTIMETERS].

MODEL ①	NOZZLE WIDTH "A"	UNIT WIDTH "B"	MOUNTING WIDTH "C"	MOUNTING WIDTH "D"
ZPR1030A	28.00 [71.12]	30.00 [76.20]	26.75 [67.95]	-
ZPR1036A	35.25 [89.54]	37.25 [94.62]	34.00 [86.36]	-
ZPR1042A	41.25 [104.78]	43.25 [109.86]	40.00 [101.60]	-
ZPR1048A	47.25 [120.02]	49.25 [125.10]	46.00 [116.84]	-
ZPR1060A	59.00 [149.86]	61.00 [154.94]	57.75 [146.69]	-
ZPR1072A	72.25 [183.59]	74.25 [188.60]	71.00 [180.34]	-
ZPR2084A	84.25 [213.00]	86.25 [219.08]	83.00 [210.82]	40.00 [101.60]
ZPR2096A	96.25 [244.48]	98.25 [249.56]	95.00 [241.30]	46.00 [116.84]
ZPR2120A	119.75 [304.17]	121.75 [309.25]	118.50 [300.99]	57.75 [146.69]

PROJECT		TITLE: <b>BERNER</b>
LOCATION		MODEL ZEPHYR AIR CURTAIN
ARCHITECT		AMBIENT SYSTEM
ENGINEER		
DWG. NO.	ZPRR0033	BERNER INTERNATIONAL CORP. NEW CASTLE, PA.
DATE	23FEB04	
BY	A. Johnston	
REPLACES	10MAR03	
BY	D. Johnson	