

TECH SPECS

COLDMASTER®

shown on page 122-125 Material: ABS/High Density Polyethylene (HDPE)/Impact Acrylic/Linear Low Density Polyethylene (LLDPE)/Polypropylene(PPY)/Styrene (STY)

Coldmaster® Standard Lids (Acrylic)

Prod. No.	Length	Width	Height
CM1125	20.65	12.68	0.13
CM1126	12.76	10.38	0.13
CM1127	12.72	6.90	0.13
CM1128	6.85	6.27	0.13

Coldmaster® Standard Food Pans (ABS)

Prod. No.	Inside L/W	Outside L/W	Inside/Outside Ht.	Capacity
CM1100	17.70	20.68	5.78	15.0 qt
	9.74	12.72	6.40	—
CM1101	9.85	12.73	5.59	6.0 qt
	7.46	10.36	6.01	—
CM1102	10.20	12.68	5.59	4.0 qt
	4.20	6.89	6.01	—
CM1103	10.20	12.68	5.59	1.7 qt
	4.20	6.89	6.01	—
CM1104	4.19	6.84	5.50	1.6 qt
	3.63	6.25	5.91	—

Coldmaster® Coldpans and Lids (ABS)

Prod. No.	Inside L/W	Outside L/W	Inside/Outside Ht.	Capacity
CM1040	19.65	22.38	4.19	15.9 qt
	11.55	14.23	5.53	—
CM1042	19.80	24.04	6.02	24.1 qt
	11.77	16.03	7.50	—
CM1043	18.12	21.91	6.00	12.5 qt
	5.97	9.79	7.50	—
CM1045	11.96	15.60	6.30	7.5 qt
	6.18	9.80	7.25	—
CM1046	13.11	16.89	6.09	16.0 qt
	11.93	15.72	7.30	—
CM1042LP	—	24.25	1.00	—
	—	16.18	—	—

Coldmaster® Coldcrocks and Accessories

Prod. No.	Inside Diameter	Outside Diameter	Inside/Outside Ht.	Capacity
CM1030 (PPY)	5.25	7.31	6.31/7.12	2.0 qt
CM1031 (PPY)	6.09	6.43	—	—
CM1034 (Acrylic)	4.79	6.62	—	—
CM1032 (Acrylic)	—	6.25	—	—
CM1033 (Acrylic)	—	6.25	—	—
CM1033P (Acrylic)	—	6.25	—	—
CM1035 (Top: HDPE; Outer: PPY; Tube: LLPE)	—	—	—	0.5 or 1.0 oz
CM1036 (LLPE)	—	—	—	—
CM1037 (HDPE)	—	—	10.25	1.0 oz

Coldmaster® Coldbowl

Prod. No.	Inside Diameter	Outside Diameter	Inside/Outside Ht.	Capacity
CM1050 (ABS)	14.75	18.06	4.50/5.18	12.0 qt

Coldmaster® Pan/Organizer

Prod. No.	Inside L/W	Outside L/W	Inside/Outside Ht.	Capacity
CM1049	19.80	24.04	6.02	24.1 qt
	11.77	16.03	7.50	—

Coldmaster® Condiment Organizers

Prod. No.	Length	Width	Height
CM1069 (ABS)	26.50	10.50	6.75
CM1065 (STY)	27.18	19.18	4.43

REPLACEMENT PARTS

TECH SPECS

MAXIMIZER™ FOOD BAR

Prod. No.	Description	Case Pack	Case Wt. Cube	List Price
7750	Sneeze Guard Shield	1 ea	42.70/16.60	735.00 ea
7751	End Post Shield	1 ea	1.90/0.44	18.38 ea
7752	Post Knob	1 ea	0.20/0.04	10.50 ea
7753	Shield Knob	1 ea	0.20/0.04	10.50 ea
7754	Basin Divider*	1 ea	2.55/0.37	55.13 ea
7760	Sneeze Guard Post*	1 ea	8.85/2.99	66.59 ea
7761	Sneeze Guard Cap*	1 ea	5.85/2.33	58.40 ea
7756	6 ft Shield Support Rod	1 ea	2.60/0.52	53.11 ea
*available in Beige(06), Black(03), Brown(01), Dove Gray(23), Forest Green(08), Red(05), Slate(59)				
7755	Latch Assembly	1 ea	0.35/0.04	34.65 ea
IC225CSB	5" Non-marking Swivel Caster w/Brake	1 ea	2.15/0.12	37.45 ea

(A)	7750	Sneeze Guard Shield
(B)	7751	End Post Shield
(C)	7752	Post Knob
(D)	7753	Shield Knob
(E)	7754	Basin Divider
(F)	7760	Sneeze Guard Post
(G)	7761	Sneeze Guard Cap
(H)	7756	6 ft Shield Support Rod
(I)	7755	Latch Assembly
(J)	IC225CSB	5" Non-marking Swivel Caster w/Brake

MAXIMIZER™ FOOD BAR

shown on page 126

Material: Polyethylene

Prod. No.	Total Height	Total Length	Total Width
7711	54.50	93.00 (end shelf upright)	48.25 (tray slides upright)

MAXIMIZER™ TRAY SLIDE, END SHELF

shown on page 126

Material: Polyethylene

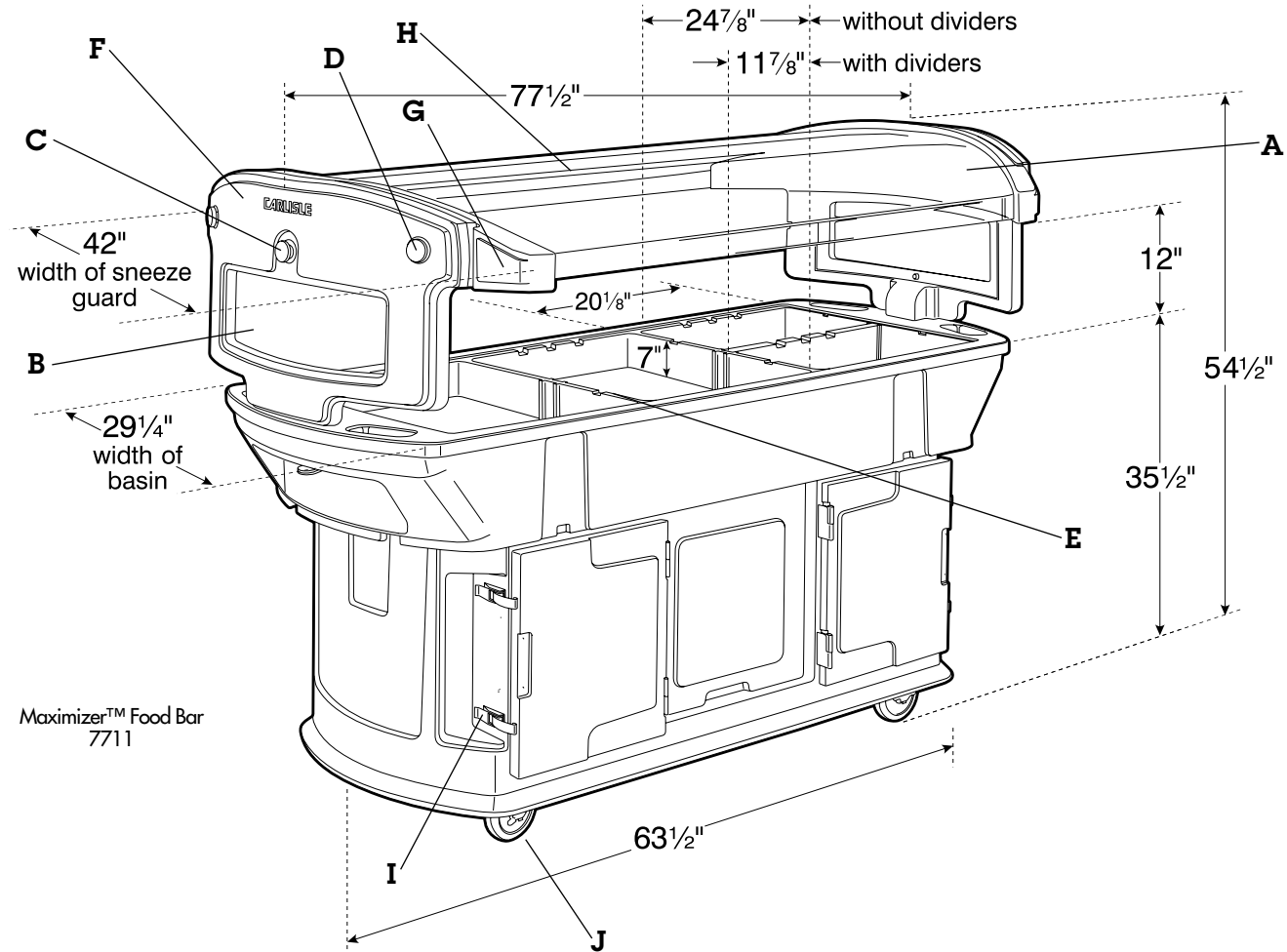
Prod. No.	Length	Width	Height
7721	68.75	8.50	1.75
7725	17.63	25.00	1.63

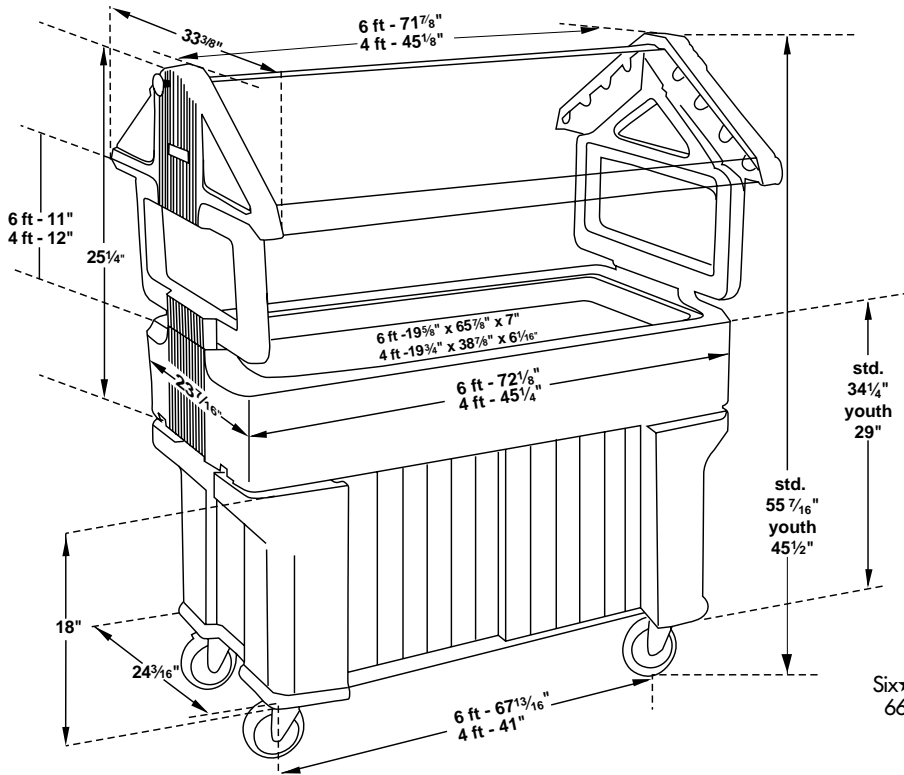
MAXIMIZER™ ORGANIZERS

shown on page 127

Material: ABS

Prod. No.	Overall Length	Overall Width	Overall Height
7731	20.85	26.00	0.25
7734	20.85	26.00	0.25
7741	20.85	26.00	0.25





Six★Star™ Food Bars 6611, 6605, 6606, 6607, 6608, 6600, 6601

REPLACEMENT PARTS

SIX★STAR™ & FIVE★STAR™ FOOD BARS

Prod. No.	Description	Case Pack	Case Wt. Cube	List Price
Six★Star™ Acrylic Shields				
6677	4 ft Shield (Side)	1 ea	10.35/1.26	106.44 ea
6679	6 ft Shield (Side)	1 ea	17.00/2.08	137.07 ea
6695	4 ft Ridge Channel	1 ea	3.20/0.13	14.33 ea
6696	6 ft Ridge Channel	1 ea	5.15/0.21	20.32 ea
Six★Star™ Parts				
6616	Storage Kit for 6 ft Food Bar	1 ea	26.85/1.81	853.86 ea
6684	Sneeze Guard Post	1 ea	7.30/1.50	94.51 ea
6686	6 ft Door	1 ea	6.45/1.91	98.20 ea
6687	Standard Food Bar Leg	1 ea	11.25/4.17	191.00 ea
6688	Youth Food Bar Leg	1 ea	9.00/2.51	191.00 ea
above items available in Beige(06), Black(03), Brown(01) Dove Gray(23), Forest Green(08), Red(05), Slate(59)				
6693	Faucet Assembly	1 ea	0.60/0.05	11.78 ea
IC225CS	5" Non-marking Caster Fixed	1 ea	2.15/0.12	34.34 ea
IC225CSB	5" Non-marking Swivel Caster w/Brake	1 ea	2.15/0.12	37.45 ea
6697	Tray Slide Bracket - Chrome	1 ea	1.20/0.06	34.72 ea
6705	Hardware for Leg/Basin	1 ea	0.60/0.05	18.19 ea
6706	Hardware for Sneeze Guard Post	1 ea	0.30/0.05	18.19 ea
6707	Hardware for Tray Slides	1 ea	0.30/0.05	12.14 ea
6708	Hardware for End Shelf	1 ea	0.30/0.05	12.14 ea
6709	Tabletop Drain Plug Assembly	1 ea	0.15/0.05	18.19 ea

Note: 6615, 6616, 6676, 6677, 6679 can ship UPS/FedEx Ground at oversize cost; 6678 cannot ship UPS/FedEx Ground

Five★Star™ Food Bar Owners: For replacement and upgrade parts, contact your Carlisle Customer Service Representative

Five★Star Buffet Parts

7688	Drain Plug Assembly	1 ea	0.15/0.05	11.74 ea
------	---------------------	------	-----------	-----------------

TECH SPECS

SIX★STAR™ PORTABLE FOOD BARS

shown on page 128

Material: Polyethylene

Prod. No.	Overall Length	Overall Width	Overall Height
6611	72.12	23.68	51.00
6605	45.25	23.68	51.00
6606	72.12	23.68	51.00
6607	45.25	23.68	45.50
6608	72.12	23.68	45.50

SIX★STAR™ TRAY SLIDES, END SHELF

shown on page 128

Material: Polyethylene

Prod. No.	Length	Width	Height
6620	44.00	9.00	2.00
6621	68.75	8.50	1.75
6625	20.62	15.87	1.75

SIX★STAR™ TABLETOP FOOD BARS

shown on page 129

Material: Polyethylene

Prod. No.	Length	Width	Height
6600	45.25	23.68	25.25
6601	72.12	23.68	25.25

REPLACEMENT PARTS

SNEEZE GUARDS

Prod. No.	Description	Case Pack	Case Wt. Cube	List Price
-----------	-------------	-----------	---------------	------------

Sneeze Guard Acrylic Shields

colors: Clear(07) Acrylic

9325	Shield - 24" (3/16" Acrylic)	1 ea	7.70/1.78	75.82 ea
9345	Shield - 48" (3/16" Acrylic)	1 ea	14.75/3.00	121.31 ea
9365	Shield - 60" (3/16" Acrylic)	1 ea	19.80/4.34	159.22 ea
9375	Shield - 73-3/8" (3/16" Acrylic)	1 ea	22.30/4.50	154.70 ea

Note: 9345, 9365 can ship UPS/FedEx Ground at oversize cost; 9375 cannot ship UPS/FedEx Ground

Sneeze Guard Assembly Blocks (see below)

9001	Assembly Block - 1" 30° 2 Prong	1 pr	0.30/0.05	20.14 pr
9005	Assembly Block - 1" 60° 3 Prong	1 pr	0.55/0.10	21.99 pr
9002	Assembly Block - 1" 90° 3 Prong	1 pr	0.40/0.05	20.48 pr
9003	Assembly Block - 1-1/4" 90° 3 Prong	1 pr	0.50/0.05	21.99 pr
9004	Assembly Block - 1" 90° 2 Prong	1 pr	0.20/0.05	7.58 pr

Note: see page 130 for more information

Standard Sneeze Guards

colors: Black(03) or Satin Finish Aluminum(23); 9850 in Black only

9547	1" Spar - 48" *	1 ea	1.80/1.36	22.75 ea
9561	1" Spar - 60" *	1 ea	2.60/0.46	26.53 ea
9573	1" Spar - 73-3/8" *	1 ea	2.75/0.56	30.33 ea
9848	Legs (only) - Standard-Single Sided	1 pr	3.40/0.98	90.98 pr
9850	Legs (only) - Standard-Double Sided	1 pr	5.00/1.10	156.94 pr
9645	4 ft Ridge Channel **	1 ea	2.16/0.36	24.56 ea
9675	6 ft Ridge Channel **	1 ea	3.51/0.56	35.62 ea

Note: 9573 and 9675 can ship UPS/FedEx Ground at oversize cost

* Fits top only on adjustable sneeze guards. Fits top and bottom on standard.

** Also fits sneeze guards

Prod. No.	Description	Case Pack	Case Wt. Cube	List Price
-----------	-------------	-----------	---------------	------------

Adjustable Sneeze Guards

■ colors: 9660, 9672, 9948 available in Black(03) or Satin Aluminum(23) Finish

■ 9648, 9851 in Black(03) only

■ 9002, 9003, 9004 also available in Gray(31) color code for 9407, 9417 is (00)

9648	1-1/4" Spar - 48" - Bottom - Adj.	1 ea	1.70/0.36	22.75 ea
9660	1-1/4" Spar - 60" - Bottom - Adj.	1 ea	2.75/0.46	26.53 ea
9672	1-1/4" Spar - 73-1/4" - Bottom - Adj.	1 ea	3.10/0.56	30.33 ea
9948	Legs (only) - Adjustable-Single Sided	1 pr	7.00/0.94	121.31 pr
9851	Legs (only) - Adjustable-Double Sided	1 pr	5.75/1.10	177.41 pr
7702	Hardware for Single-Sided Sneeze Guard	1 ea	0.15/0.05	11.56 ea
7704	Hardware for Two-Sided Tabletop Sneeze Guard	1 ea	0.15/0.05	12.14 ea
9407	Hardware Kit Single Suspended Sneeze Guard	1 ea	1.60/0.05	53.09 ea
9417	Hardware Kit Double Sided Suspended	1 ea	1.55/0.05	53.09 ea

Note: 9672 can ship UPS/FedEx Ground at oversize cost

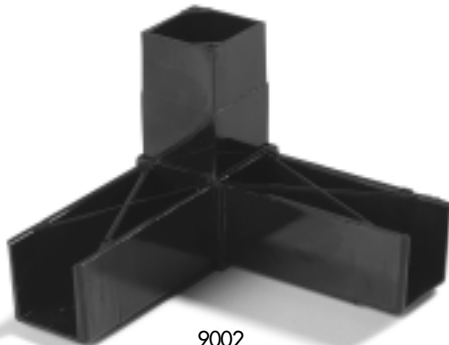
SNEEZE GUARD ASSEMBLY BLOCKS REFERENCE GUIDE



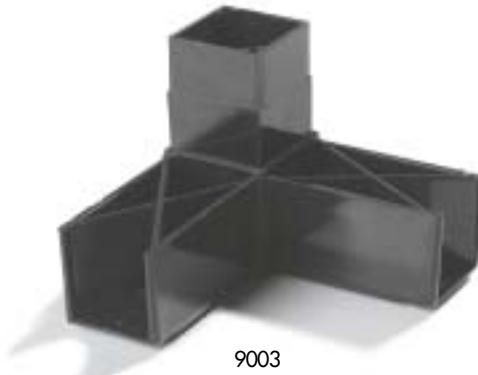
9005



9001



9002



9003



9004