



Delfield

18PTB

Single/Double Section Self-Contained Refrigerated Pizza Prep Tables

Project _____

Item _____

Quantity _____

CSI Section 11400

MODELS:

18648PTB 48" Pizza Prep Table
12 pan capacity

18660PTB 60" Pizza Prep Table
14 pan capacity

18672PTB 72" Pizza Prep Table
18 pan capacity

18PTB Single/Double Section Refrigerated Pizza Prep Tables



Model 18660PTB

STANDARD FEATURES

- Top, sides and ends are constructed of 18-gauge stainless steel
- Units are mechanically cooled with diestamped openings to accommodate 12" x 20" hotel pans or fractional pans
- Pans and adapter bars by others
- Pans are recessed 2" to provide proper cooling for NSF 7
- High density polyurethane foam throughout unit
- Dart style quick change gaskets
- Stainless steel removable hinged covers
- On/off switch and rail on/off is located behind the louver
- Front louver is hinged for access to condensing unit and allow adequate air flow back of the unit
- 8' long electrical cord
- Environmentally friendly HFC-404A refrigerant
- One year parts and 90 day labor standard warranty

OPTIONS AND ACCESSORIES

- Stainless steel back
- Laminate facing (full front)
- Laminate end
- Laminate back
- Tray racks
- Cutting board (.5" x 20")
- Legs, set of four
- Legs, set of six
- Cheese grates with removable catch pans
- 18" deep single tier stainless steel overshef
- 19" wide refrigerated drawers (2) high, holds 6" deep pans
- 19" wide refrigerated drawers (3) high, holds 4" deep pans
- 27" wide refrigerated drawers (2) high, holds 6" deep pans
- 27" wide refrigerated drawers (3) high, holds 4" deep pans
- Lock
- *220V/50 cycle electrical system
- Additional shelf (specify door size)

*Inclusion of this option will alter the electrical specifications of the unit



SPECIFICATIONS

Exterior Top: Constructed of one-piece 18-gauge stainless steel, with integral 2.12" (5.4cm) high square nosing at the front. Top has a mechanically cooled refrigerated raised rail at the rear with openings to accommodate pans (provided by others). Rail interior is 22-gauge stainless steel. Raised rail openings have 20-gauge stainless steel removable lids. Unit is equipped with separate expansion valve and on/off switch for refrigerated rail. Temperature in top openings maintains 33°F (1°C) to 41°F (5°C) with pans recessed 2" (5.1cm) at 86°F ambient room temperature, meeting NSF 7 requirements.

Exterior Back and Bottom: 24-gauge galvanized steel. Exterior ends are finished with stainless steel.

Base Interior: Stainless steel back and bottom. Base interior sides and door frames are thermoformed ABS plastic. Each interior door section has (1) 25" (63.5cm) deep removable epoxy coated wire shelf. Base is insulated with 2" (5.1cm) high density foamed in place polyurethane. End of base has a machine compartment with condensing unit installed.

Door(s): 22-gauge stainless steel exterior front, with a thermoformed ABS plastic interior liner.

Refrigeration System: HFC-404A refrigerant. Cabinet has a blower coil assembly with expansion valve (1) on 48", 60" and 72" models, located in coil housing. Base is equipped with independently controlled thermostat, solenoid valve and condensate evaporator. Refrigerated base maintains temperature of 36°F (2°C) to 40°F

(4°C). Recessed on/off switches for rail and base are located behind the hinged louver door.

Electrical Connections: 115 volt, 60 Hertz, single phase. Unit is wired with 3-wire, grounded, maximum 8' (2.4m) cord and plug.

Castors: Equipment is mounted on 5" (12.7cm) diameter casters; overall height of casters is 6.13" (15.6cm).



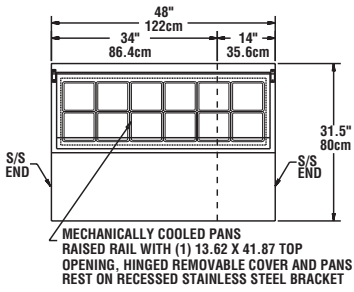
980 S. Isabella Road
Mt. Pleasant, MI 48858
www.delfield.com

Phone: 800-733-8948
Fax: 800-669-0619
Email: info@delfield.com

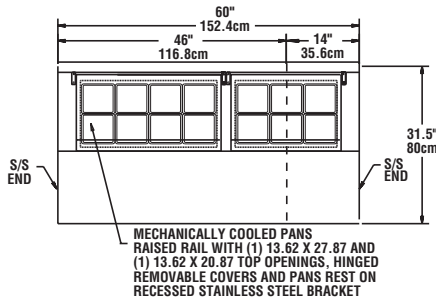
Approval _____

Date _____

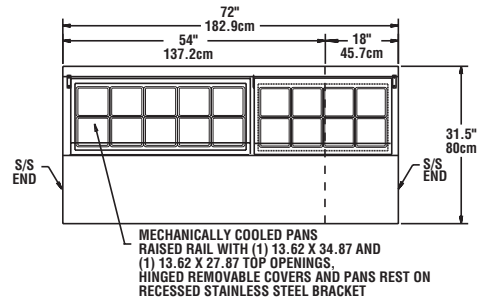
18PTB SINGLE/DOUBLE SECTION PIZZA PREP TABLE



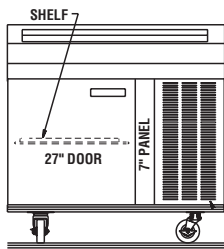
**PLAN VIEW
18648PTB**



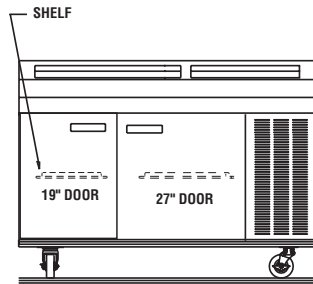
**PLAN VIEW
18660PTB**



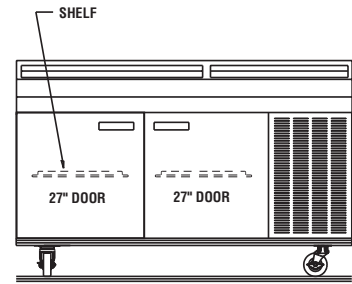
**PLAN VIEW
18672PTB**



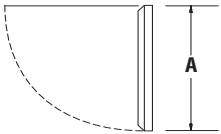
**ELEVATION VIEW
18648PTB**



**ELEVATION VIEW
18660PTB**

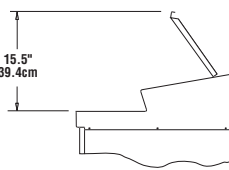


**ELEVATION VIEW
18672PTB**

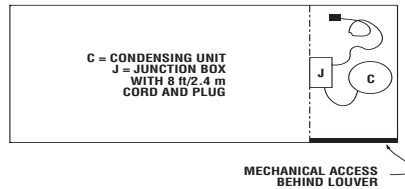


19" DOOR (A= 19.5" or 49.5cm)
 27" DOOR (A= 27.5" or 70cm)
 32" DOOR (A= 32.5" or 82.5cm)

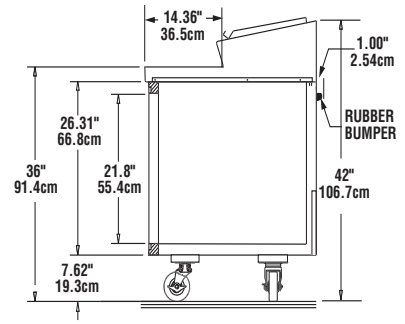
**DOOR CLEARANCE DETAIL
ALL MODELS**



**LID HEIGHT DETAIL
ALL MODELS**



**MECHANICAL ACCESS
(PLAN VIEW) ALL MODELS**



**TYPICAL END VIEW
ALL MODELS**

**NOTE: PANS AND ADAPTER
BARS ARE NOT INCLUDED**

Mechanical Data—Standard Unit

MODEL NUMBER	PAN CAP.	# OF SHELVES	STORAGE CU. FT.	SHELF AREA SQ. FT.	STORAGE CAP.	H.P.	VOLTAGE	AMPS	NEMA PLUG	SHIP WEIGHT
18648PTB	12	1	8.39	3.36	8.39ft ³	1/4	115	10.0	5-15P	520lbs
18660PTB	14	2	14.31	5.63	14.31ft ³	1/3	115	12.0	5-15P	580lbs
18672PTB	18	2	16.77	7.72	16.77ft ³	1/2	115	14.0	5-20P	635lbs