



18600VD

Versa Drawer™

Project _____
 Item _____
 Quantity _____
 CSI Section 11400
 Approved _____
 Date _____

18600VD: VERSA DRAWER™

Models

18650VDL	50" Versa Drawer with (2) 32" drawers and compressor on the left
18650VDR	50" Versa Drawer with (2) 32" drawers and compressor on the right
18682VDL	82" Versa Drawer with (4) 32" drawers and compressor on the left
18682VDR	82" Versa Drawer with (4) 32" drawers and compressor on the right



18682VDL

Standard Features

- 4 temperature operation—each drawer is completely independent and can operate as a refrigerator, freezer, chiller or thaw cabinet at any time
- Easy to use microprocessor control with push button function selection
- HACCP electronic record keeping, alarm notifications, and service diagnostics
- Heavy-gauge stainless steel top
- Standard on 6" casters
- Mechanical access on compressor end of unit
- 32" heavy duty full extension drawers with (2) 12"x20" pan capacity per drawer
- NSF 7 certified
- High density polyurethane foam throughout
- Dart style quick change gaskets
- 8' long electrical cord
- Environmentally friendly HFC-404A refrigerant
- 34" ADA height standard
- One year parts, one year labor and 5 year compressor warranty

Options & Accessories

- 6" legs
- 230/50/1 electrical

Specifications

Exterior Top: Constructed of one-piece heavy-gauge stainless steel with integral 2.12" (5.4cm) high square nosing at front.

Exterior Sides, Back and Bottom: heavy-gauge stainless steel sides with removable stainless steel mechanical access panel on compressor end. Back and bottom are constructed of galvanized steel.

Interior: Interior of each drawer section is a polyethylene rotocast liner with ABS drawer front liners

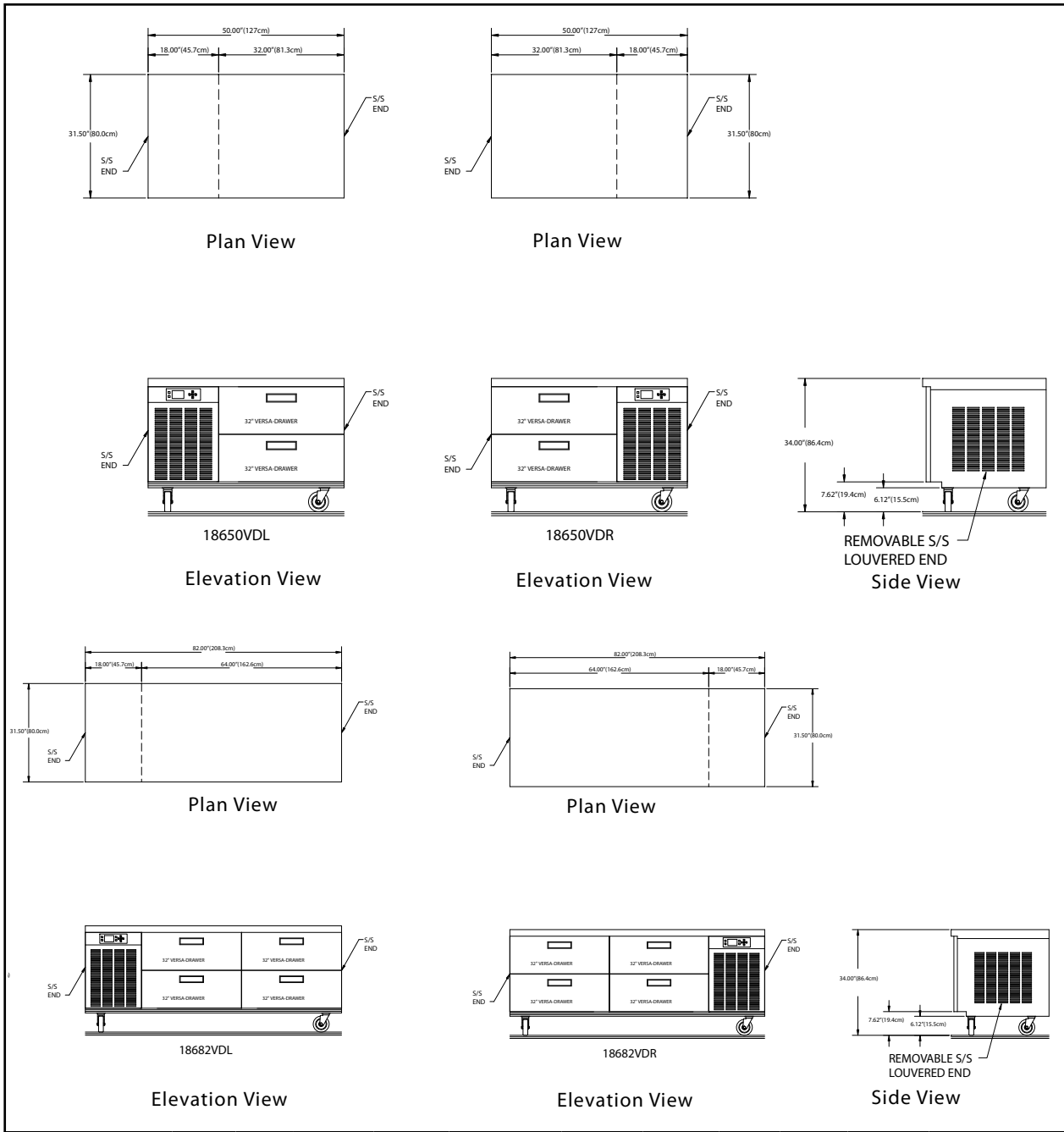
Drawers: Heavy-gauge stainless steel exterior front, with a thermoformed ABS plastic interior liner. Frame and tracks are constructed of 11 and 12-gauge stainless steel. Roller track assemblies have self-lubricating Delrin™ rollers.

Refrigeration System: Environmentally friendly HFC-404A refrigerant. Each independent drawer has its own evaporator coil with expansion valve. Digital control acts as thermometer, thermostat and diagnostic center for each drawer. Hot gas defrost system is also utilized during thaw operation.

Electrical Connections: 115 volt, 60 Hertz, single phase. Unit is wired with 3-wire, grounded, maximum 8' (2.4m) cord and plug.

The Delfield Versa Drawer is a unique food holding device that includes an open food container disposed within a refrigerated cabinet such that both the container and interior of the cabinet are exposed to the same refrigerated environment, thereby eliminating the need for conventional dual environment systems which refrigerate food disposed within insulated, closed containers, while maintaining the interior of the cabinet at ambient temperature.





Specifications

Model Number	Overall			32" Drawers	12"x20" Pans	Storage Capacity	H.P.	Voltage	Amps	NEMA Plug	Ship Weight lbs.	Energy Consumption kwh
	L	D	H									
18650VDL	50"	31.5"	34"	2	4	9ft ³ /255L	1/3	115	6.0	5-15	520	1.50*/4.01**
18650VDR	50"	31.5"	34"	2	4	9ft ³ /255L	1/3	115	6.0	5-15	520	1.50*/4.01**
18682VDL	82"	31.5"	34"	4	8	18ft ³ /510L	(2) 1/3	115	12.0	5-15	720	3.0*/8.02**
18682VDR	82"	31.5"	34"	4	8	18ft ³ /510L	(2) 1/3	115	12.0	5-15	720	3.0*/8.02**

*All drawers refrigerators.
** All drawers freezers.