



PROJECT	
ITEM #	
QUANTITY	DATE
APPROVAL	

ACR-26S

Air Curtain Refrigerator

Short Form Specifications

Exterior Body: Construction of 20-gauge stainless steel and 2" (5.08cm) of high density foamed in place polyurethane insulation provides durability and energy savings. A rear handle with rubber end bumpers combined with flush recessed handle grips on the side make positioning the unit easy. The unit is mounted on 4" (10.2cm) diameter casters (with brakes) with an overall height of 5.37" (13.6cm), and rolls where needed for loading, storage or serving. Unit is wired with cord and plug.

Doors: The fully insulated door is constructed of 20-gauge stainless steel with magnetic catch, and opens 270 degrees for ease in loading or unloading. Specify left or right hinging when ordering. Doors can be field reversed with hinges ordered from the factory. A security lock is standard.

Interior Cabinet: 22-gauge stainless steel construction, sealed joints and seams provide the ACR-26S with a strong and durable interior. Corners are rounded for ease of cleaning and conforms to NSF standards. Interior air ducts on the left, right and top provide proper air flow to the cabinet. The interior is designed for use with 18" x 26" (46cm x 58cm) trays on adjustable slides spaced 3.75" (9.5cm) apart. Interior panels and brackets are removable for easy cleaning.

Air Curtain: When the door is open, Delfield's patented air curtain design directs cold air across the cabinet opening, keeping hot air out and cold air in for extended periods of time. The unit will maintain a maximum of 45°F box temperature at 70°F ambient with the door open and all trays fully behind the air curtain, during peak production times, quickly returning to a normal 36°F. With the door closed, a maximum 40°F at 100°F ambient is maintained (normal operation) while running only 15% in an 85° room.

Refrigeration: The base of the cabinet houses the condensing unit. Louvered front and rear panels provide ventilation, as well as easy access for cleaning and servicing the condensing unit and electrical wiring. The refrigeration system uses HFC-404A refrigerant. Compressor is 1/2 horsepower (120v-60c-1ph).

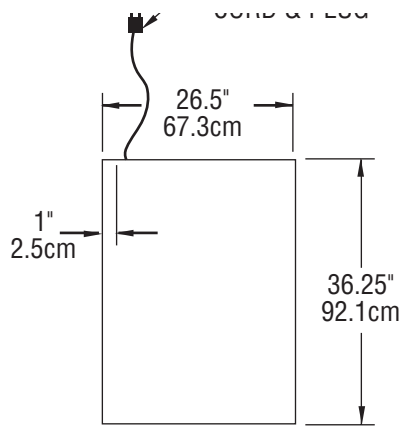
Microprocessor: Solid state control with temperature and time display, clean condenser alert and self diagnostic functions.



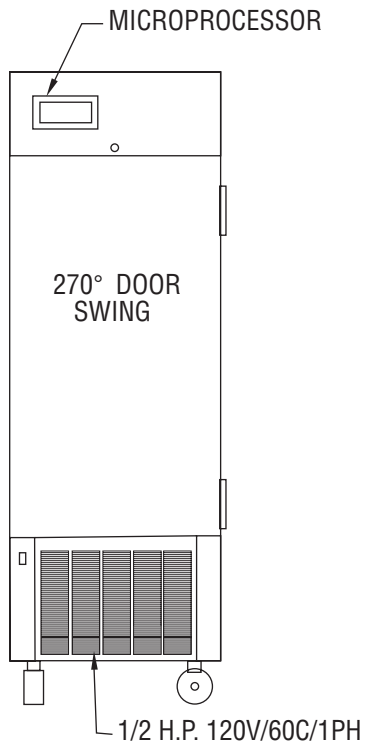
Model ACR-26S



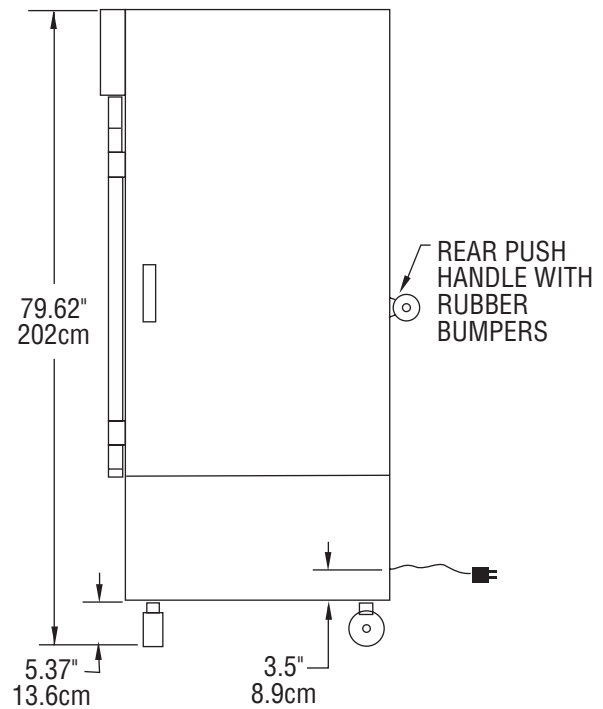
The Delfield Company, 980 S. Isabella Rd., Mt. Pleasant, MI 48858, U.S.A. • (800) 733-8821 • Fax (800) 669-0619 • www.delfield.com
Delfield reserves the right to make changes in design or specifications without prior notice. ©2002 The Delfield Company. All rights reserved. Printed in U.S.A.



PLAN VIEW



ELEVATION VIEW



END VIEW

Mechanical Data—Standard Unit

MODEL NUMBER	VOLTAGE (60Hz/1ph)	AMPS	STORAGE CAPACITY	18" X 26" TRAY CAPACITY	UNIT H.P.	BTU/HR DOOR CLOSED	BTU/HR SYSTEM CAP.	SHIP WEIGHT	NEMA PLUG
ACR-26S	115	12.0	15.5 cu. ft.	10	1/2	504	3300	592 lbs/ 266 kg	5-15P