



PROJECT	
ITEM #	
QUANTITY	DATE
APPROVAL	

4460N/D4460N

Front-Breathing Flat Top Refrigerated Bases

Short Form Specifications

Exterior top is one-piece, 22-gauge stainless steel with integral 2.12" (5.1cm) square nosing at the front.

Exterior back and bottom is two-piece 24-gauge galvanized steel. Exterior ends are stainless steel.

Interior sides are thermoformed ABS plastic. Shelves are supported on plugs. Base is fully insulated with high-density foamed in place polyurethane.

Refrigeration system uses HFC-404A refrigerant. Compressor is 1/2 H.P., with condenser coil and condensate evaporator mounted on rear of the cabinet. Evaporator coils and temperature control are located on the interior rear wall of the cabinet. Refrigerant flow is controlled by a capillary tube. Cabinet maintains an interior cabinet temperature of 36°F to 40°F (2°C to 4°C).

Electrical connections are 115 volt, 60 Hertz, single phase. Unit has an 8' (2.4m) long electrical cord and NEMA 5-15P plug.

Casters: Equipment is mounted on 2" (5.08cm) diameter casters, with front two locking. Equipment clearance above the floor is 2.5" (6.35cm).

The following applies to two door models only:

Doors have a 22-gauge stainless steel exterior, with thermoformed ABS plastic interior liner. Cabinet is supplied with one adjustable epoxy-coated wire shelf per door opening.

The following applies to four drawer models only:

Drawer fronts have a 22-gauge stainless steel exterior, with thermoformed ABS plastic interior liner. Drawer frames are 14-gauge stainless steel. Drawer slides are 14-gauge stainless steel, with stainless steel bearings. Top drawer will hold one 12" x 20" (30.5cm x 50.8cm) pan 4"-6" (10.1cm-15.2cm) deep. Bottom drawer holds one 4" (10.1cm) deep full size pan. Pans are supplied by others.

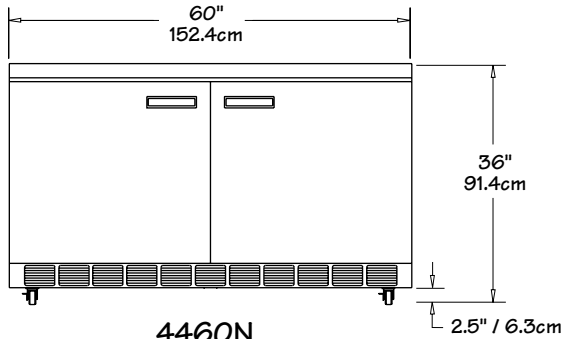
Optional Accessories and Modifications:

- 18" wide single tier overshelf
 - Stainless steel finish on back
 - Plastic laminate on front
 - Additional wire shelves
 - Door lock
 - 36" height available for UC
 - Cutting tops/boards — composite or polyethylene
 - *220V/50 Hertz electrical system
- *Inclusion of this option will alter electrical specifications of the unit.

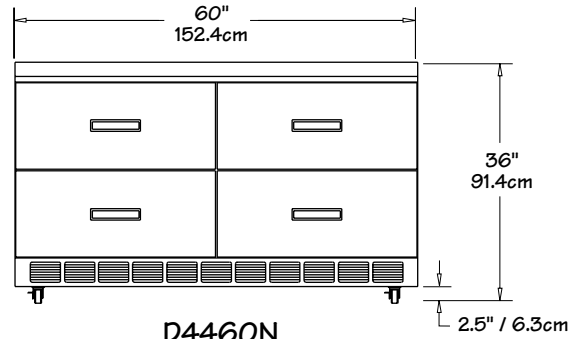


4460N

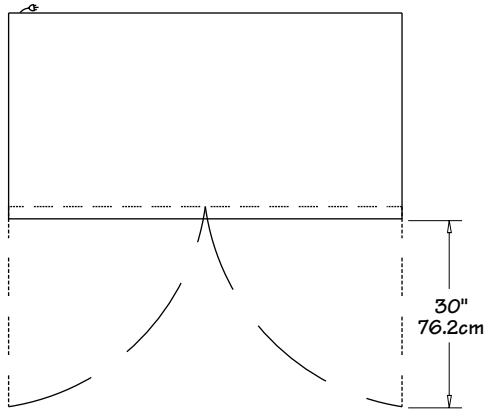




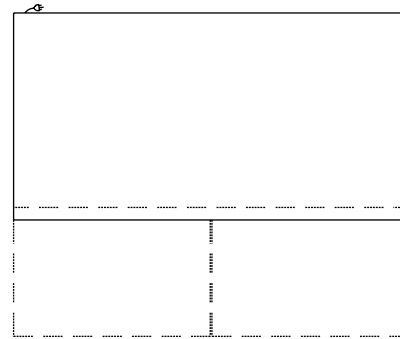
**4460N
ELEVATION VIEW**



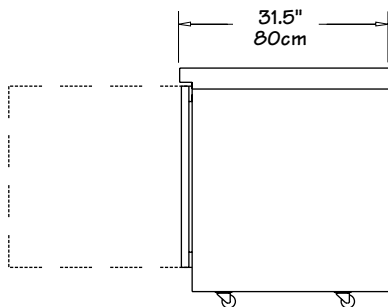
**D4460N
ELEVATION VIEW**



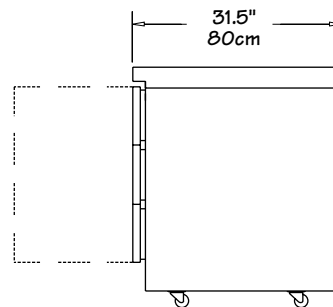
**4460N
PLAN VIEW**



**D4460N
PLAN VIEW**



**4460N
END VIEW**



**D4460N
END VIEW**

Mechanical Data — Standard Unit

MODEL NUMBER	#OF SHELVES	SHELF AREA. SQ. FT.	STORAGE CAP. CU. FT.	H.P.	VOLTS/HERTZ/ PHASE	AMPS	NEMA PLUG	SHIP WEIGHT
4460N	2	7.36	15.7	1/2	115/60/1	12.0	5-15P	340 lbs/ 154kg
D4460N	NA	NA	2.7	1/2	115/60/1	12.0	5-15P	375 lbs/ 170kg