



Glass Door Merchandisers

Counter Top Glass Door Cooler

Project _____

Item _____

Quantity _____

CSI Section 11400

Approved _____

Date _____

Models

- DMER3-G - 3ft³ capacity counter top glass door cooler



DMER3-G

Standard Features

- Built in door handle
- Blue top header sign standard
- Forced air evaporator for quick temperature pull down
- Heavy duty hinges with automatic return
- Attractive PVC frame
- Double paned Low-e glass door
- Two heavy duty shelves
- Robust body with thick walls, injected with CFC-free polyurethane
- Exterior cabinet made of galvanized, pre-painted steel, with baked polyester paint
- Listed to NSF-7 for the storage and/or display of packaged or bottled product
- Heavy duty condensing unit for R134a, located in front for easy-access maintenance
- Forced-air condenser made of copper and aluminum, resistant to rust and saline environments
- Reinforced 16-gauge steel base
- One year parts and labor warranty and an additional four year compressor warranty (U.S.A./Canada only)

Options & Accessories

Specifications

The exterior is constructed of galvanized, pre-painted steel, with a baked polyester paint. The base is reinforced 16-gauge steel.

The interior is an attractive, NSF approved, white interior cabinet. It's robust body is constructed of 1-1/4" thick walls. The entire cabinet structure is insulated with high-density foamed in place CFC-free polyurethane. Innovative LED interior lighting design is protected by safety shielding. Two adjustable heavy duty coated wire shelves are provided.

Refrigeration System: Forced air condenser is made of copper and aluminum, resistant to rust and saline solutions. The self-contained refrigeration system uses environmentally friendly (CFC-free) 134A refrigerant. It is located in the front of the unit for easy access. The refrigerant flow is controlled using a capillary tube. Forced air evaporator ensures quick temperature pull-down.

Door: Extruded frame door is constructed with Low-E, double pane thermal glass. They are the latest in energy efficient technology. Each door has heavy duty hinges with automatic return. Handle shall be built in.



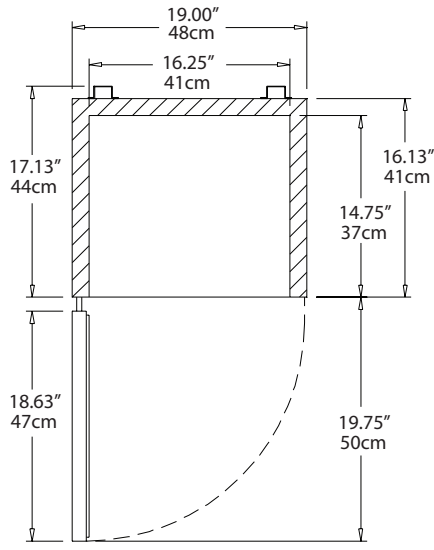
Glass Door Merchandisers: Counter Top Glass Door Cooler



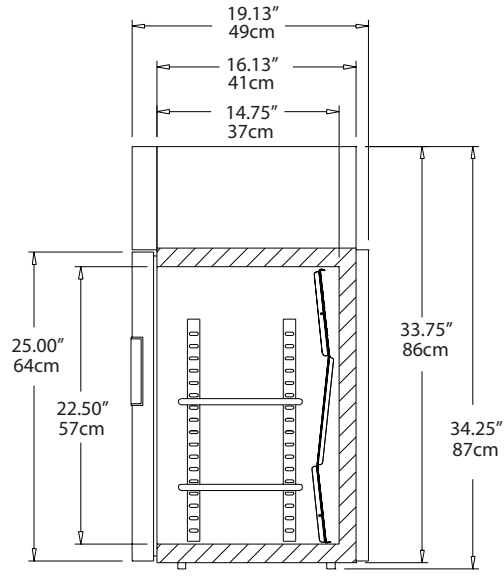


Glass Door Merchandisers

Counter Top Glass Door Cooler



Top View



Side View

Specifications					
Model	Capacity	H.P.	Amps	Voltage	Shipping Weight
DMER3-G	3 ft ³	1/8	3.0	115V/60Hz/1Ph	119lbs/54kg

Delfield reserves the right to make changes to the design or specifications without prior notice.

980 S. Isabella Rd.
Mt. Pleasant, Michigan 48858

Phone: 800-733-8948 or 989-773-7981
Fax: 800-669-0619
www.delfield.com

Printed in the U.S.A.
DSDMER3
07/11

