



# GoCart Mobile Kiosks

## Dry Storage Module

Project \_\_\_\_\_

Item \_\_\_\_\_

Quantity \_\_\_\_\_

CSI Section 11400

Approved \_\_\_\_\_

Date \_\_\_\_\_

GoCart Mobile Kiosks - Dry Storage Module

### Models

- DMR316 - Dry storage module, hinged right
- DML316 - Dry storage module, hinged left



DML316

### Standard Features

- Stainless steel construction and finish – interior and exterior
- 7.0ft<sup>3</sup> (198L) capacity
- Lockable door (operator side)
- (3) Adjustable shelves
- Available in left or right configurations
- Heavy duty casters
- Vinyl night cover
- One year parts and labor standard warranty

### Options & Accessories

- Graphics

### Specifications

The dry storage module offers additional storage space for the operator. Used commonly as bulk storage for dry food, condiments and accessories the dry module offers a lockable storage option.

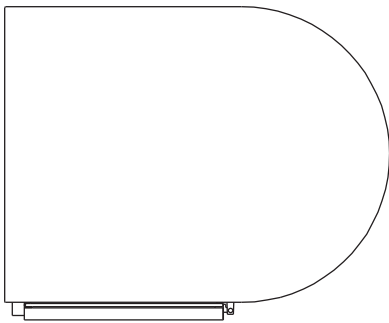
The main body, counter top, base, door and frame are constructed of 316 stainless steel. The unit is mounted on heavy duty casters.



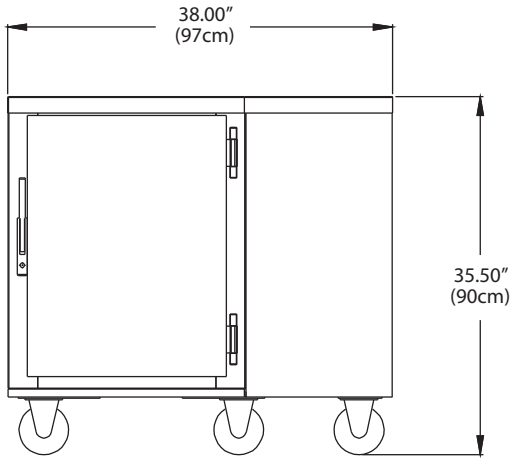


# GoCart Mobile Kiosks

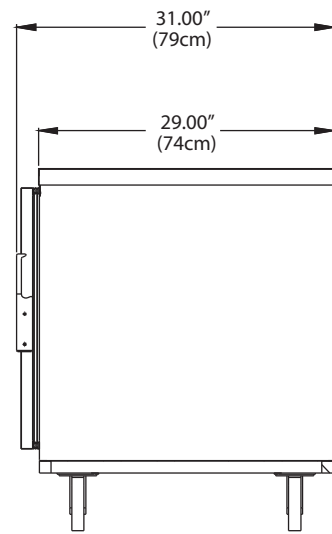
Dry Storage Module



Plan View



Elevation View



Side View

Specifications	
Model	Ship Weight lbs (kg)
DMR316, DML316	216 (98)

Delfield reserves the right to make changes to the design or specifications without prior notice.

980 S. Isabella Rd.  
Mt. Pleasant, Michigan 48858

Phone: 800-733-8948 or 989-773-7981  
Fax: 800-669-0619  
www.delfield.com

Printed in the U.S.A.  
DSGCDMRL  
09/11

