



PROJECT	
ITEM NUMBER	
QUANTITY	DATE
APPROVAL	

F2600 & F2700

Low-Profile Freezer Base Equipment Stands

Short Form Specifications

Exterior top is 18-gauge stainless steel, with standard marine edge. Exterior sides and front are 22-gauge stainless steel. Exterior back and bottom are 24-gauge galvanized steel.

Interior subtop is 22-gauge stainless steel, with foamed-in-place polyurethane insulation. Interior back and bottom are 22-gauge stainless steel. Interior sides are ABS plastic. Unit is supplied with a wall bracket and threaded rod to allow installation of the unit against a solid surface.

Drawer frames are 14-gauge stainless steel. Drawer slides are 14-gauge stainless steel, with stainless steel bearings. Drawer fronts are 32.00" (81.3 cm) wide, and are 22-gauge stainless steel. Interior of drawer fronts is ABS plastic over polyurethane foam insulation. Each drawer holds (2) 12.00" x 20.00" x 4.00" deep (30.5 cm x 50.8 cm x 10.2 cm deep) pans, supplied by others.

Unit is mounted on 6.13" (15.6cm) high adjustable stainless steel legs or casters. Add a "C" to the model number when ordering with casters.

Refrigeration system uses HFC-404A refrigerant, and maintains 0°F (-18°C) to -5°F (-21°C) interior cabinet temperature at 100°F (38°C) ambient room temperature. Both remote and self-contained models are standard with electric condensate evaporators.

Electrical connections shall be 115 volt, 60 Hertz, single phase.

THE FOLLOWING APPLIES TO F2700 SERIES (REMOTE) ONLY:

Remote models have a digital thermometer installed in the removable access panel, defrost timer, thermostat and solenoid valve. Remote models must be hard-wired at the installation site.

THE FOLLOWING APPLIES TO F2600 SERIES (SELF-CONTAINED) ONLY:

Self-contained models have a pre-wired condensing unit, a digital thermometer installed in the removable louver and is supplied with an 8.0' (2.4 m) cord and plug.



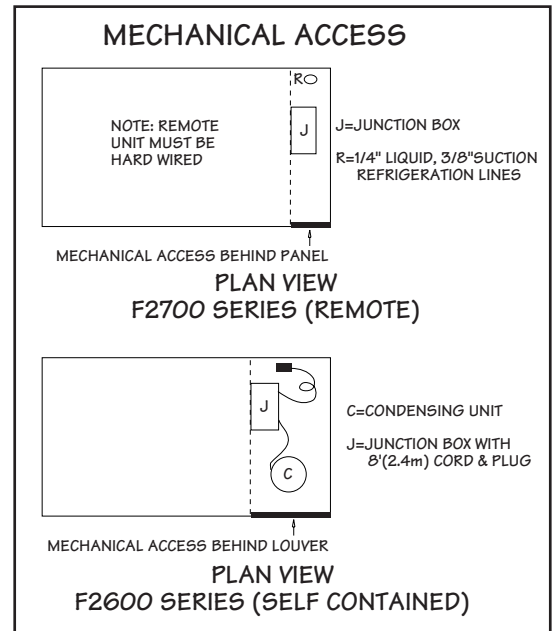
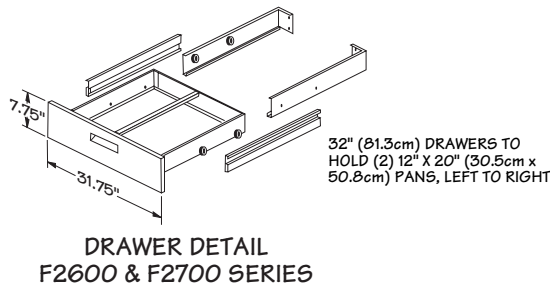
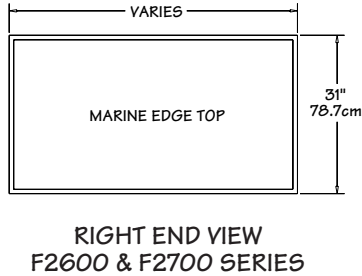
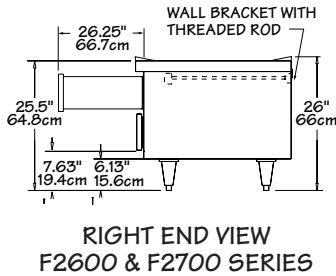
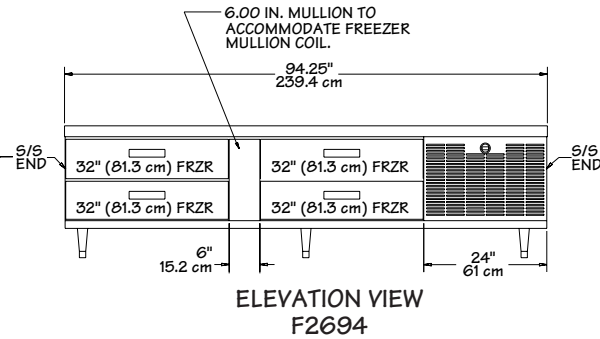
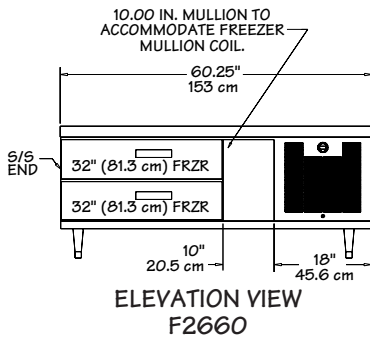
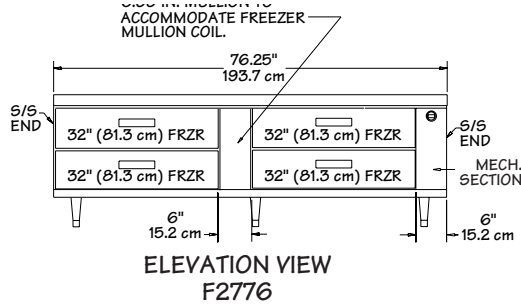
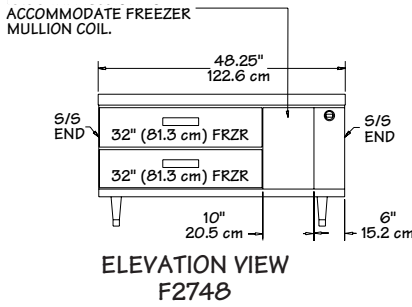
Model F2660

Optional Accessories and Modifications

- 108 Drawer locks
 - 213 *220 volt, 50 Hertz electrical system
- *Inclusion of these options will alter the electrical specifications of the unit.



Low-Profile Freezer Base Equipment Stands



NOTE: Add a "C" to the model number when ordering with casters. (example - F2660C)

Mechanical Data—Standard Unit

MODEL NUMBER	# OF PANS	# OF DRAWERS	VOLTAGE/HERTZ/PHASE	AMPS	H.P.	NEMA PLUG	SHIP WEIGHT LBS/KG	BTU LOAD	BTU SYSTEM	EVAP. CAP. BTU/*TD
F2748	4	2	115/60/1	10.0	1/2*	N/S	295/134	1032	—	160
F2776	8	4	115/60/1	10.0	3/4*	N/S	375/170	1770	—	160
F2660	4	2	115/60/1	12.0	1/2	5-15P	418/190	925	1776	—
F2694	8	4	115/60/1	16.0	3/4	5-20P	505/229	1558	2713	—

*= Remote; horsepower shown is recommended N/S= Not supplied, must be hard wired