



Delfield

F5 Servview Drop In

24" Deep See Through Self-Contained Refrigerated Display Cases

Project _____

Item _____

Quantity _____

CSI Section 11400

MODELS:

- F5SC48N** 24" Deep Self-Contained Drop In Display Section
- F5SC72N** 24" Deep Self-Contained Drop In Display Section



F5SC48N

STANDARD FEATURES

- Display exterior sides are made of 18-gauge stainless steel
- ABS plastic interior sides with molded shelf supports
- (4) adjustable epoxy coated wire shelves
- On/off switch for the display section light(s)
- Top mount coil with multiple fans circulating the air throughout the cabinet
- Display section runs off a thermostatic control
- Sliding and removable self-closing .50" thick argon filled, low-E, warm edge insert, thermopane glass doors with left and right vertical gasket
- High density polyurethane foam throughout unit
- Three adjustable epoxy coated shelves for each door
- Environmentally friendly HFC-404A refrigerant

OPTIONS AND ACCESSORIES

- 48" shelf (48" long units only)
- 72" shelf (72" long units only)
- 220 volt/50 cycle - inclusion of this option will alter specifications



SPECIFICATIONS

Display section exterior sides are made of 18-gauge stainless steel. Exterior display section top to be 22-gauge galvanized metal. Interior sides are made of .095" thick ABS plastic with molded shelf supports. The interior bottom is constructed with stainless steel for long lasting durability. Display section is fully insulated with high density polyurethane foam between the interior and exterior. Four adjustable epoxy coated wire shelves are provided for the display section. An on/off switch for the display section light(s) is located at the right end of the front facing, above the display section doors.

Display case refrigeration system consists of a full-length top mounted coil with multiple fans circulating the air throughout the cabinet utilizing

a thermostatic control. An ABS plastic drip pan is placed below the coil with a clear drain hose for running the condensation to the lower base mechanical section.

Front of the display section is equipped with two sliding and removable self-closing .50" thick argon filled, low-e glass doors with a warm edge spacer. The vertical outsides of each door tuck into an extruded channel running vertically up each side. Front and rear nosing to be 20-gauge stainless steel.

Self-contained models have a pre-wired condensing unit housed in a 16-gauge cage hanging from the units exterior bottom. Cage also is supplied with an 8' cord and plug and electrical junction box. Electrical connections are 115V-60H-1PH.

Refrigeration system components are HFC-404A.

Display cabinet blower coil assembly shall have a coated evaporator coil and fans. Interior refrigerated base cabinet and display section to maintain 36 to 40 degree temperatures at 100-degree ambient room temperature.

Back has (1) .62" thick argon filled, low-e glass panel.



980 S. Isabella Road
Mt. Pleasant, MI 48858
www.delfield.com

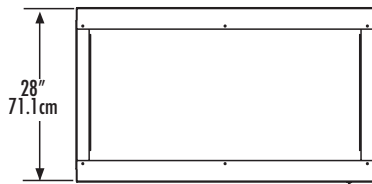
Phone: 800-733-8948
Fax: 800-669-0619
Email: info@delfield.com

Approval _____

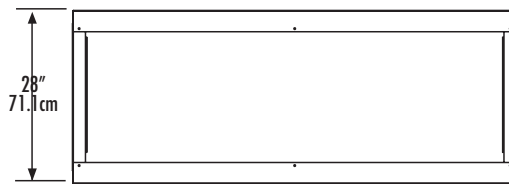
Date _____

F5 24" DEEP SEE THROUGH SELF-CONTAINED DROP INS REFRIGERATED DISPLAY CASES

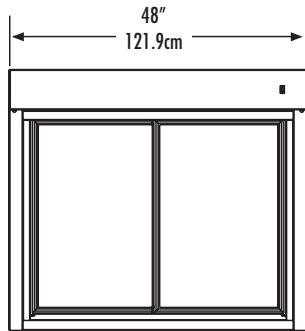
F5 24" Deep Mirrored Self-Contained Refrigerated Display Cases



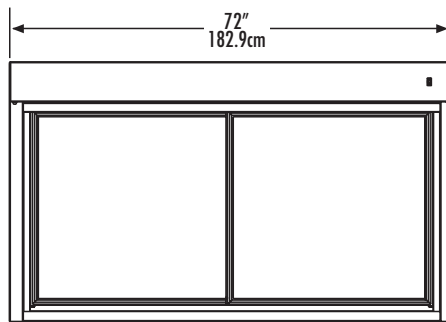
PLAN VIEW F5SC48N



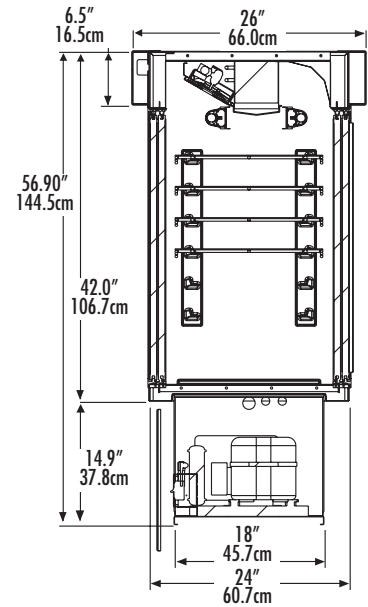
PLAN VIEW F5SC72N



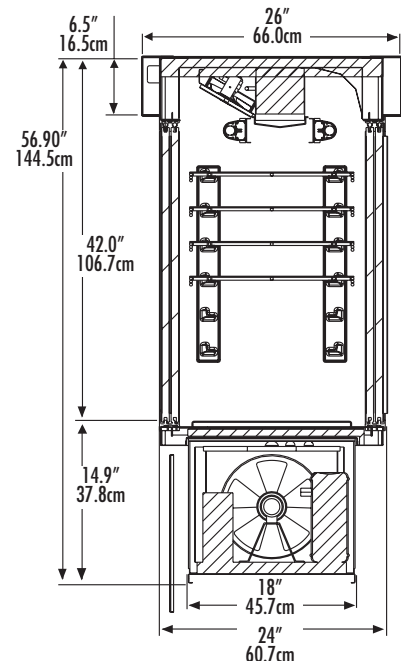
ELEVATION VIEW F5SC48N



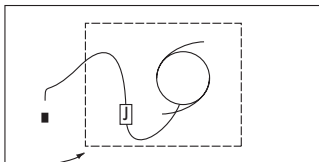
ELEVATION VIEW F5SC72N



RIGHT END VIEW
48" MODELS



RIGHT END VIEW
72" MODELS



CUTOUT DIMENSIONS:

- 48" LONG MODELS
23.62" x 18.62" (60.0cm x 47.3cm)
- 72" LONG MODELS
32.62" x 18.62" (82.9cm x 47.3cm)

**MECHANICAL ACCESS
PLAN VIEW ALL MODELS**

INSTALLATION NOTE:

Refrigeration system is designed so air will flow front to rear on 48" models and right to left on 72" models, using the supplied louvered panels. Louver cut-out dimensions are 24" by 15.5" (60.1cm x 39.4cm). Unobstructed airflow must be maintained to insure unit performance and maintain warranty.

Mechanical Data—Standard Unit

MODEL NUMBER	SHELF AREA SQ. FT.	STORAGE CU. FT.	H.P.	SYS. CAP BTU/HOUR	CABINET LOAD BTU/HOUR	VOLTS/HERTZ PHASE	AMPS	NEMA PLUG	SHIPPING WEIGHT
F5SC48N	20.8	14.3	1/2	3160	1802	115/60/1	12.0	5-15P	433/196
F5SC72N	32.8	22.2	3/4	5758	2708	115/60/1	16.0	5-20P	595/270