



PROJECT	
ITEM #	
QUANTITY	DATE
APPROVAL	

FT2-SN

Mobile open frame multi-stack tray and rack dispensers

Short form specifications

Framework shall be integrally welded 1.00" (2.5cm) O.D. 16-gauge stainless steel tubing welded to a 16-gauge stainless steel base. Frame shall have stainless steel horizontal support rods affixed to the tubing. Base shall be reinforced with full-length 14-gauge stainless steel angles.

Center housing shall be two-piece molded fiberglass, specify color, with stainless steel corners. The fiberglass reinforced polyester (F.R.P.) shall be molded with permanent color. Center housing top shall be 16-gauge stainless steel. Top should contain two Shelleymatic model ND drop-in napkin dispensers.

Silverware bin shall be stainless steel, welded and polished, with ten holes to accept silverware cylinders. Silverware bin shall be provided with 10 plastic silverware cylinders. Unit shall have 4.00" (10.2cm) diameter polyolefin swivel casters (all locking), and non-marking gray bumpers at each corner.

Dispenser platform carrier shall be 18-gauge stainless steel and shall be removable for cleaning. Each dispenser shall have two self-leveling mechanisms.

Self-leveling mechanisms shall be field adjustable by adding or removing stainless steel extension springs located inside the elevator housing.

NOTE: For more information on the drop-in napkin dispensers, request a specification sheet for Shelleymatic model ND.

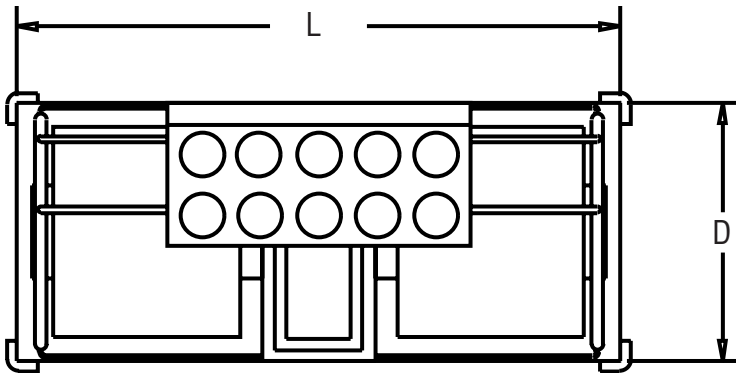
Optional Accessories & Modifications

- Heavy-duty casters (consult factory)
- Special tray dispenser sizes
- Flange-mount feet in lieu of casters
- Stainless steel center housing in lieu of fiberglass
- Stainless steel silverware cylinders in lieu of plastic
- Additional plastic or stainless steel silverware cylinders
- Wrap-around bumpers (adds 1.75 [4.4cm] to overall length and depth)

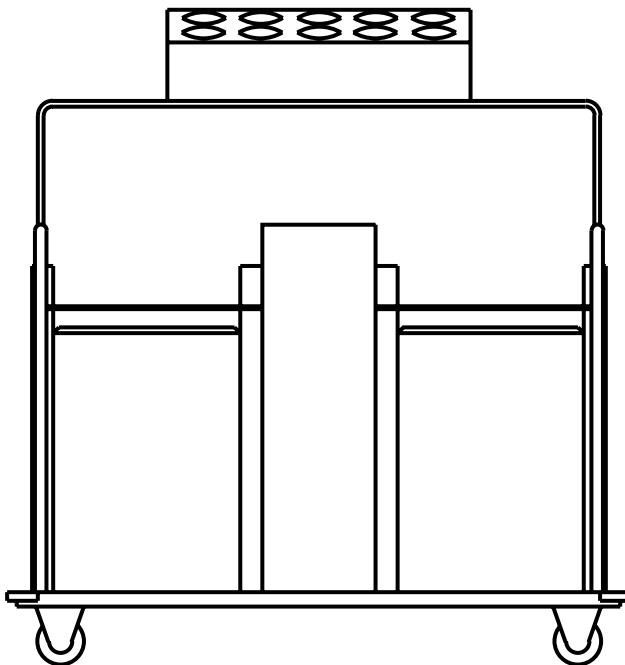


MODEL FT2-SN-1418

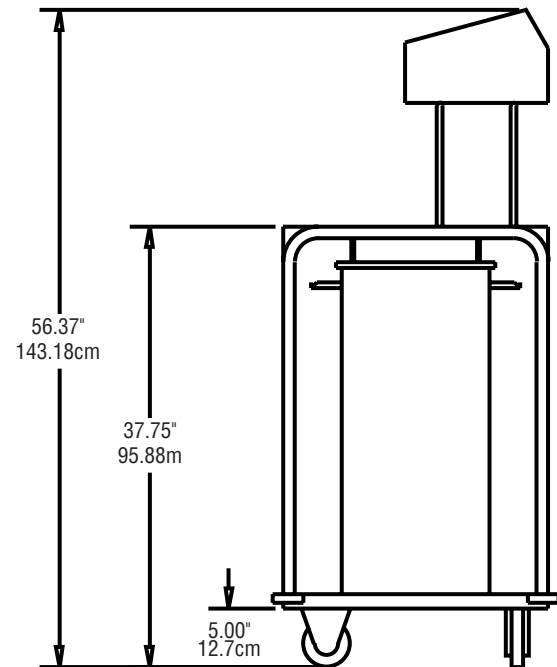




PLAN VIEW
FT2-SN MODELS



ELEVATION VIEW
FT2-SN MODELS



RIGHT END VIEW
FT2-SN MODELS

Technical Data—Standard Unit

MODEL NUMBER	LENGTH	DEPTH	MAXIMUM TRAY SIZE	SHIP WEIGHT
FT2-SN-1216	43.75" (111.1cm)	22.12" (26.2cm)	12" x 16" (30.5cm x 40.6cm)	284lbs/129kg
FT2-SN-1418	47.75" (121.3cm)	22.12" (26.2cm)	14" x 18" (35.6cm x 45.7cm)	298lbs/135kg
FT2-SN-1622	51.75" (131.4cm)	22.12" (26.2cm)	16" x 22" (40.6cm x 55.9cm)	306lbs/139kg

NOTES:

- Standard corner bumpers add 1.75" (4.4cm) to overall length and width.