



GoCart Mobile Kiosks

Mini

Project _____

Item _____

Quantity _____

CSI Section 11400

Approved _____

Date _____

GoCart Mobile Kiosks - Mini

Models

- MINI316 - Mini mobile kiosk



MINI316

Standard Features

- Stainless steel construction and finish
- Electrical distribution board
- Pull up counter extensions
- Drop down customer service shelf
- Interior storage shelf
- Removable frame cap for umbrella fitting
- Heavy duty casters
- One year parts and labor standard warranty

Options & Accessories

- Graphics

Specifications

The GoCart Mini is a small range of carefully designed products to compliment the main range of mobile kiosks. The GoCart Mini range offers solutions for locations and applications that have space restrictions. Ideal for single coffee machine operation or added wash up capabilities the GoCart Mini can compliment the other products in the range or be used as a stand alone merchandising/serving solution.

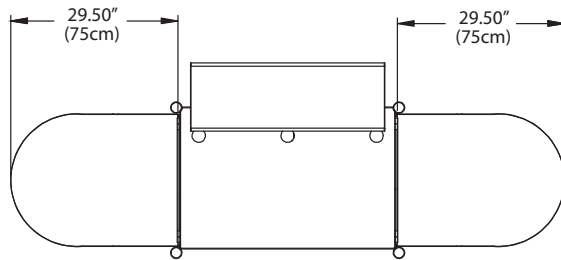
The main body, counter top, base, door and frame are constructed of 316 stainless steel. The unit is mounted on heavy duty casters.

The GoCart Mini's energy management unit features a duplex receptacle for the water pump. For additional needs there is a duplex 15A receptacle, 10.5A max load.

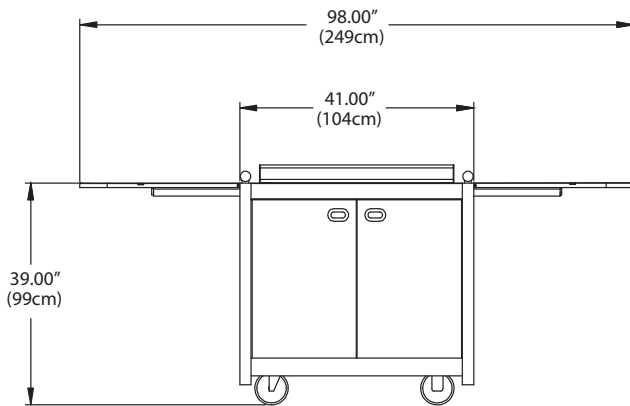




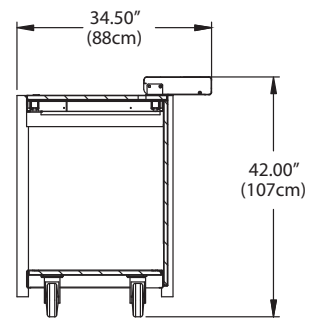
GoCart Mobile Kiosks Mini



Plan View



Elevation View



Side View

Specifications					
Model	V/Hz/Ph	Watts	Amps	Nema Plug	Ship Weight lbs (kg)
MINI316	120/60/1	1,440	12.0	5-15P	505 (229)

Delfield reserves the right to make changes to the design or specifications without prior notice.

980 S. Isabella Rd.
Mt. Pleasant, Michigan 48858

Phone: 800-733-8948 or 989-773-7981
Fax: 800-669-0619
www.delfield.com

Printed in the U.S.A.
DSGCMINI
09/11

