

# NSCF

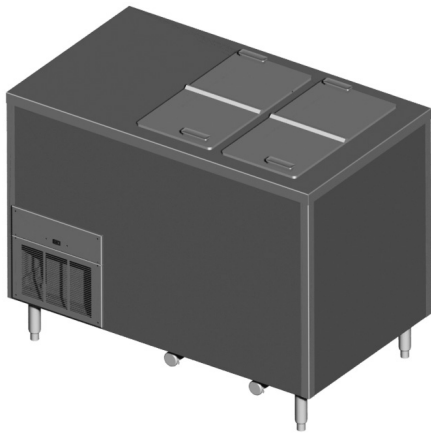
Free-Standing Self-Contained Milk & Ice Cream Dispenser

Project \_\_\_\_\_  
Item \_\_\_\_\_  
Quantity \_\_\_\_\_  
CSI Section 11400  
Approved \_\_\_\_\_  
Date \_\_\_\_\_

NSCF: Free-Standing Self-Contained Milk & Ice Cream Dispenser

## Models

- NSCF 48" dispenser with 126 half pint cartons & 210 3oz. ice cream cups capacity



NSCF-48

## Standard Features

- Cabinet top, corners and sides are stainless steel
- 1.25" IPS drain
- Units insulated with foamed in place high density environmentally friendly, Kyoto Protocol Compliant, Non ODP (Ozone Depletion Potential), Non GWP (Global Warming Potential) polyurethane
- Insulated folding lid
- Self-leveling mechanisms shall be adjustable
- Dispenser platform carrier shall be stainless steel and removable for cleaning
- (6) Anodized aluminum divider trays per opening
- 6" adjustable stainless steel legs
- 9' cord and plug supplied
- (2) Interior liners to be water tight stainless steel
- Refrigerated temperatures maintain 36°F to 40°F (2°C to 4°C)
- Freezer temperatures maintain 0°F to 5°F (-18°C to -15°C)
- One year parts and 90 day labor standard warranty

## Options & Accessories

- Wrap-around bumpers (adds 1.75" to length and depth)
- Four 4" diameter heavy duty polyurethane casters with corner bumpers (adds 1.75" to length and depth)
- Adjustable height casters
- Lid locking device
- 220 volt, 50/60 cycle, single phase electrical connections\*
- LEXAN lid
- Wire baskets

\* Inclusion of these options will alter the electrical specifications of unit

## Specifications

**Exterior** sides shall be 22-gauge stainless steel. Top and corner supports shall be 16-gauge stainless steel, welded, ground and polished into one integral unit.

**Interior** shall have (2) separate compartments, one refrigerated and one freezer. Inner liners shall be water-tight and constructed of 22-gauge stainless steel with a 1.25" (3cm) I.P.S. drain. Unit shall be insulated with high-density, foamed-in-place environmentally friendly, Kyoto Protocol Compliant, Non ODP (Ozone Depletion Potential), Non GWP (Global Warming Potential) polyurethane insulation with a non-conductive top breaker strip.

Each opening shall have an insulated, stainless steel folding lid with high impact plastic liner, molded rubber edge and black plastic handles.

(3) **stainless steel louvers** shall be installed in the end and sides of the cabinet to allow proper air flow to the condensing unit.

**Each self-leveling mechanism** shall be field adjustable by adding or removing stainless steel extension springs in the elevator housing inside the unit. The elevators shall be

connected by removable platform carriers constructed of 18-gauge stainless steel.

(6) anodized aluminum divider trays will be supplied per cabinet section.

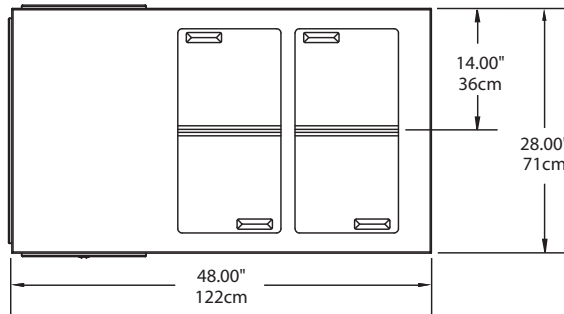
**Refrigeration system** shall use HFC-404A refrigerant. Refrigerator section shall be controlled by an EPR valve; the freezer section shall be controlled by a pressure control. Controls shall be located near the condensing unit. Cabinet shall maintain 36°F to 40°F (2°C to 4°C) temperature in the refrigerator section, and 0°F to 5°F (-18°C to -15°C) temperature in the freezer section with lids closed for storage.

**Electrical connections** shall be 115 volt, 60 cycle, single phase. Unit shall have a 9' (2.7m) long electrical cord and NEMA 5-15P plug.

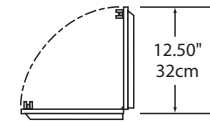
**Legs:** Unit shall be mounted on 6.00" (15cm) high adjustable stainless steel legs.

**NOTE:** This equipment is intended for storage and /or display of pre-packaged or bottled products only.

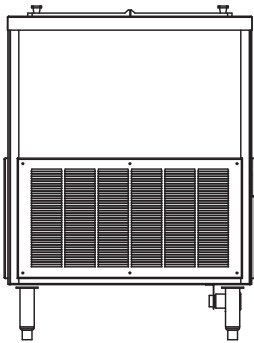




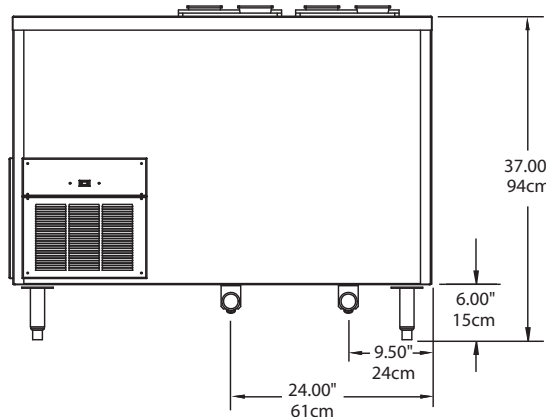
Plan View  
Model NSCF-48



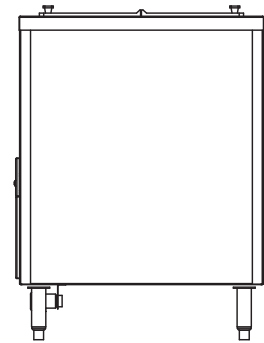
Lid Opening Detail  
Model NSCF-48



Left End View  
Model NSCF-48



Elevation View  
Model NSCF-48



Right End View  
Model NSCF-48

Specifications

Model	Capacity	H.P.	V/Hz/Ph	Amps	Refrig. BTU Load	Refrig. BTU Capacity	Freezer BTU Load	Freezer BTU Capacity	Nema Plug	Ship Weight
NSCF-48	126 half pint cartons & 210 3oz. ice cream cups	1/4	115/60/1	6.0	140	1600	410	800	5-15P	390lbs/ 177kg

Delfield reserves the right to make changes to the design or specifications without prior notice.

NSCF