

# SALD-1

## Salad and Vegetable Drier

Project \_\_\_\_\_

Item \_\_\_\_\_

Quantity \_\_\_\_\_

CSI Section 11400

Approved \_\_\_\_\_

Date \_\_\_\_\_

### Models

- SALD-1 115V/60Hz salad and vegetable drier



SALD-1

### Standard Features

- Body is 18-gauge stainless steel
- Legs are 1" diameter 16-gauge stainless steel tubing
- (3) 4.00" diameter polyurethane locking stem casters
- Outer lid is 18-gauge stainless steel
- Inner liner is perforated durable polyethylene plastic
- Water-tight motor and controls are mounted on the bottom of the unit
- 6' cord and plug supplied
- Unit standard with 1" OD drain and 6ft hose with hose clamp
- Adjustable ON/OFF timer for drying times up to 5 minutes
- Lid and cover storing hooks come standard
- One year parts and labor warranty

### Options & Accessories

- Extra polyurethane liner and inner lid (part# AS6230116) ship loose

### Specifications

**Outer body** is constructed of 18-gauge stainless steel. Legs are 1.00" (25mm) outside diameter, 16-gauge stainless steel tubing with 4.00" (10cm) diameter locking stem casters for mobility.

**Outer lid** is constructed of 18-gauge stainless steel.

**Inner liner** is a one-piece durable polyethylene plastic with 0.38" (1cm) diameter holes for proper water disbursement.

Unit has a completely enclosed, water-tight motor mounted underneath the unit.

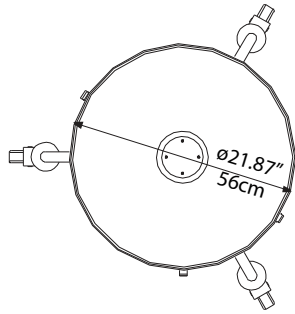
Unit has a 1" (2.54cm) outside diameter drain standard with 6ft (1.83m) drain hose (hose and clamp shipped loose for field installation). Adjustable on/off timer standard for selection of drying cycles of up to five minutes.

Stainless steel hooks are mounted on the lid and sides of the unit for storage of the lid and cord when unit is not in use.

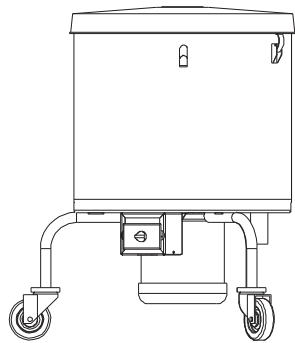
**Electrical** box for capacitor and timer control is mounted on the bottom of the unit. Six foot cord and plug are supplied. SALD-1 is 115 Volt, 60 Hertz single phase.



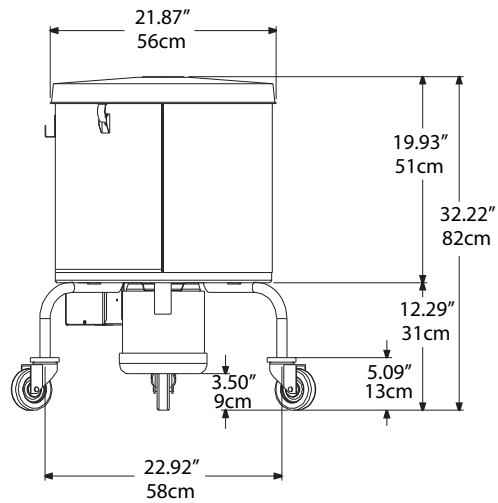
SALD-1: Salad and Vegetable Drier



Plan View  
SALD-1



Elevation View  
SALD-1



Side View  
SALD-1

SALD-1 Salad and Vegetable Drier

Specifications							
Model	Inner Liner Capacity	Inner Liner Diameter	Inner Liner Depth	V/Hz/Ph	Amps	NEMA Plug	Ship Weight
SALD-1	20 Gal (77L)*	15.62" (40cm)	16.87" (43cm)	115/60/1	2.7	5-15P	70lbs/ 32kg

\*Inner liner can hold up to 18 heads of chopped lettuce.

Welbilt reserves the right to make changes to the design or specifications without prior notice.