



GoCart Mobile Kiosks

Wash Station

Project _____
 Item _____
 Quantity _____
 CSI Section 11400
 Approved _____
 Date _____

Models

- WASH1-316 - Wash station mobile kiosk, one sink
- WASH2-316 - Wash station mobile kiosk, two sinks
- WASH3-316 - Wash station mobile kiosk, three sinks



WASH2-316

Standard Features

- Stainless steel construction and finish
- Available in single, double or triple sink configurations
- 5 gallon water storage
- Hot water heater
- Water pump and filter
- (2) 13 gallon waste water tanks
- Retractable water faucet
- Electrical distribution board
- Pull up counter extensions
- Drop down customer service shelf
- Removable frame cap for umbrella fitting
- Heavy duty casters
- One year parts and labor standard warranty

Options & Accessories

- Graphics

Specifications

The mini wash stations are ideal for any catering function, or additional wash space to compliment the Gullwing. The mini wash station offers a fully integrated wash up area for any application. Available in single, double or triple sink configurations, the wash stations offer flexibility and assists mobile set ups in meeting a range of commercial health and hygiene standards.

The main body, counter top, base, door and frame are constructed of 316 stainless steel. The sink is constructed of 304 stainless steel. The unit is mounted on heavy duty casters.

The GoCart mini wash station's energy management unit features a duplex receptacle for the water pump. For additional needs there is a duplex 15A receptacle, 10.5A max load.



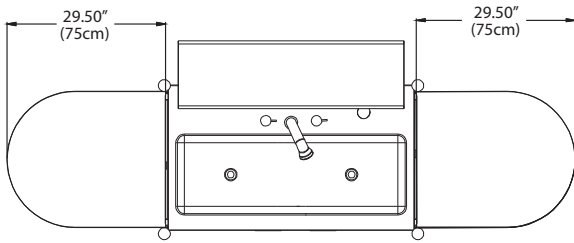
GoCart Mobile Kiosks - Wash Station



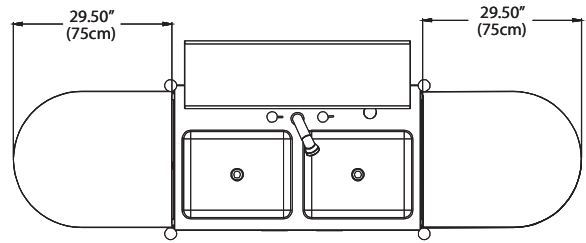


GoCart Mobile Kiosks

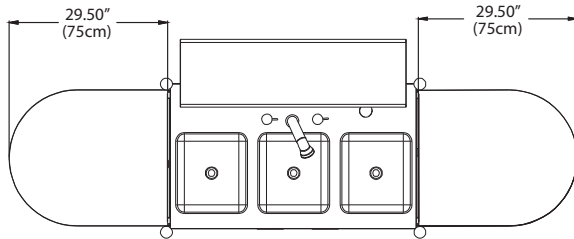
Wash Station



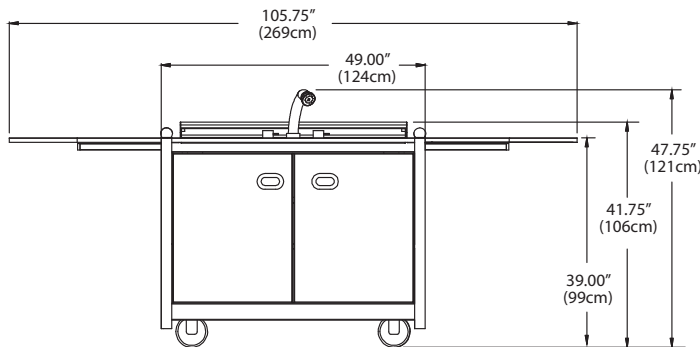
Plan View
WASH1-316



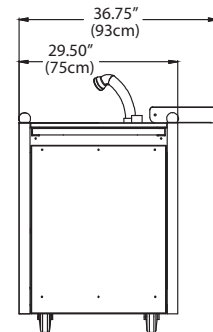
Plan View
WASH2-316



Plan View
WASH3-316



Elevation View
All Models



Side View
All Models

Specifications

Model	Sink Specifications	Sink Capacity	Water Tank	Waste Tank	V/Hz/Ph	Watts	Amps	Nema Plug	Ship Weight lbs (kg)
WASH1-316	(1) 41.34"x13.98"x9.84"	25 gal	5 gal	(2) 13 gal	120/60/1	1,440	12.0	5-15P	556 (252)
WASH2-316	(2) 20.67"x16.73"x9.84"	(2) 15 gal	5 gal	(2) 13 gal	120/60/1	1,440	12.0	5-15P	578 (262)
WASH3-316	(3) 11.81"x11.81"x11.81"	(3) 8.5 gal	5 gal	(2) 13 gal	120/60/1	1,440	12.0	5-15P	590 (268)

Delfield reserves the right to make changes to the design or specifications without prior notice.

980 S. Isabella Rd.
Mt. Pleasant, Michigan 48858

Phone: 800-733-8948 or 989-773-7981
Fax: 800-669-0619
www.delfield.com

Printed in the U.S.A.
DSGCWASH
09/11

