



# Flav-R-Savor® Holding and Display Cabinets

Models: FSD-1, -1X, -2, -2X  
FSDT-1, -1X, -2, -2X

The Hatco Flav-R-Savor® offers a unique concept in food holding and display. Balancing a precise combination of heat and humidity, Flav-R-Savor Cabinets increase sales and profits by reducing waste, maintaining quality and displaying food with appealing design. Utilized in cafeterias, convenience stores, schools, restaurants and supermarkets, Flav-R-Savor Cabinets are a perfect way to merchandise your hot food items such as pizza, fried foods, bakery and more.

Our quick recovery heating system and extremely even temperatures throughout the cabinet eliminate “hot spots” and ensure consistent product quality and long hold times (1 to 4 hours)..

## Standard features

- Fluorescent lights help showcase food product
- Tempered glass door and side panels provide maximum heat retention and allow for full cabinet display
- ¾ gallon (3-liters) stainless water reservoir provides all day moisture, is easily filled through the front mounted water cup and easily drained and cleaned through the inside mounted drain tube
- Low-water protection prevents heating element burnout and alerts operator to low water condition
- 120-volt operation with attached 15-amp cord set operates on a standard outlet, and draws a maximum of 12 amps
- Large access doors are field reversible and will accept a 19" (483 mm) diameter pizza pan

## WATER QUALITY REQUIREMENTS

Incoming water in excess of 3.0 grains of hardness per gallon (GPG) (.75 grains of hardness per liter) must be treated and softened before being supplied to booster heater(s). Water containing over 3.0 GPG (.75 GPL) will decrease the efficiency and reduce the operating life of the unit.

**Note: Product failure caused by liming or sediment buildup is not covered under warranty.**

Project \_\_\_\_\_  
 Item # \_\_\_\_\_  
 Quantity \_\_\_\_\_



FSDT-1 with standard 4-tier circle rack and optional Designer Black color

FSD-2X with standard 3-tier pan rack, optional mechanical controls and accessory food pans.



## Options (available at time of purchase only)

### Designer Colors

Non-standard colors are non-returnable –

Clear Anodized Aluminum standard –

- Warm Red    Black    Gray Granite    White Granite  
 Navy Blue    Hunter Green    Antique Copper

Mechanical Controls

7½" (191 mm) Display Sign Holder (one per side, three max) (sign not included)

## Accessories

4" (102 mm) Adjustable Legs

Motorless Rack Coupling (for -X models only)

Racks for FSD models only

- 5-shelf Multi-Purpose Rack    3-tier Circle Rack\*    3-tier Pan Rack

Racks for FSDT models only

- 7-shelf Multi-Purpose Rack    4-tier Circle Rack\*    5-tier Circle Rack  
 4-tier Pan Rack    3-shelf Angle Rack    3-tier Pretzel Tree\*

Decorative Kit:

Two Inset Side Panels

(Non-standard colors are non-returnable – Designer Black standard)

- Crescent    Wave

Curved Header

(Non-standard colors are non-returnable – Designer Black standard)

- Hinged for control side    Non-hinged for non-control side

Base Skirts (requires 4" [102 mm] adjustable legs, not included)

(Non-standard colors are non-returnable – Designer Black standard)

- Flat front, back and sides    Curved front, flat back and sides  
 Curved front and back, flat sides

\*Requires coupling for -1X or -2X

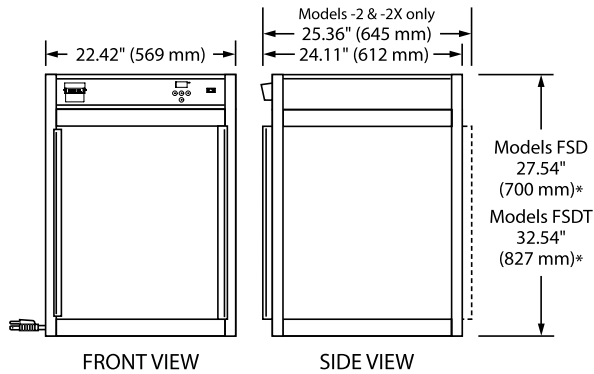


**HATCO CORPORATION** | P.O. Box 340500 Milwaukee, WI 53234-0500 U.S.A.  
 (800) 558-0607 | (414) 671-6350 | www.hatcocorp.com | support@hatcocorp.com



# Flav-R-Savor® Holding and Display Cabinets

Models: FSD-1, -1X, -2, -2X FSDT-1, -1X, -2, -2X



## SPECIFICATIONS Holding and Display Cabinets

The shaded areas contain electrical information for International models

Model <sup>o</sup>	Type	Dimensions (W x D x H*)	Volts	Watts	Amps	Plug	Ship Weight*
<b>FSD-1 and FSDT-1</b>	FSD-1: 1 Door with 3-tier circle rack with motor	FSD-1: 22.42" x 24.11" x 27.54" (569 x 612 x 700 mm)	120	1440	12.0	NEMA 5-15P	FSD-1: 110 lbs. (50 kg) FSDT-1: 118 lbs. (54 kg)
	FSDT-1: 1 Door with 4-tier circle rack with motor	FSDT-1: 22.42" x 24.11" x 32.54" (569 x 612 x 827 mm)	220	1440	6.5	CEE 7/7 Schuko	FSD-1: 110 lbs. (50 kg) FSDT-1: 118 lbs. (54 kg)
			240	1440	6.0	BS-1363, AS 3112	
			220-230 (CE)	1440-1574	6.5-6.8	CEE 7/7 Schuko	
			230-240 (CE)	1323-1440	5.8-6.0	BS-1363	
<b>FSD-1X and FSDT-1X</b>	FSD-1X: 1 Door with 3-tier pan rack without motor (not available for retrofit)	FSD-1X: 22.42" x 24.11" x 27.54" (569 x 612 x 700 mm)	120	1440	12.0	NEMA 5-15P	FSD-1X: 110 lbs. (50 kg) FSDT-1X: 118 lbs. (54 kg)
	FSDT-1X: 1 Door with 4-tier pan rack without motor (not available for retrofit)	FSDT-1X: 22.42" x 24.11" x 32.54" (569 x 612 x 827 mm)	220	1440	6.5	CEE 7/7 Schuko	FSD-1X: 110 lbs. (50 kg) FSDT-1X: 118 lbs. (54 kg)
			240	1440	6.0	BS-1363, AS 3112	
			220-230 (CE)	1440-1574	6.5-6.8	CEE 7/7 Schuko	
			230-240 (CE)	1322-1440	5.8-6.0	BS-1363	
<b>FSD-2 and FSDT-2</b>	FSD-2: 2 Doors with 3-tier circle rack with motor	FSD-2: 22.42" x 25.36" x 27.54" (569 x 645 x 700 mm)	120	1440	12.0	NEMA 5-15P	FSD-2: 114 lbs. (52 kg) FSDT-2: 122 lbs. (55 kg)
	FSDT-2: 2 Doors with 4-tier circle rack with motor	FSDT-2: 22.42" x 25.36" x 32.54" (569 x 645 x 827 mm)	220	1440	6.5	CEE 7/7 Schuko	FSD-2: 114 lbs. (52 kg) FSDT-2: 122 lbs. (55 kg)
			240	1440	6.0	BS-1363, AS 3112	
			220-230 (CE)	1440-1574	6.5-6.8	CEE 7/7 Schuko	
			230-240 (CE)	1322-1440	5.8-6.0	BS-1363	
<b>FSD-2X and FSDT-2X</b>	FSD-2X: 2 Doors with 3-tier pan rack without motor (not available for retrofit)	FSD-2X: 22.42" x 25.361" x 27.54" (569 x 645 x 700 mm)	120	1440	12.0	NEMA 5-15P	FSD-2X: 112 lbs. (51 kg) FSDT-2X: 114 lbs. (52 kg)
	FSDT-2X: 2 Doors with 4-tier pan rack without motor (not available for retrofit)	FSDT-2X: 22.42" x 25.36" x 32.54" (569 x 645 x 827 mm)	220	1440	6.5	CEE 7/7 Schuko	FSD-2X: 112 lbs. (51 kg) FSDT-2X: 114 lbs. (52 kg)
			240	1440	6.0	BS-1363, AS 3112	
			220-230 (CE)	1440-1574	6.5-6.8	CEE 7/7 Schuko	
			230-240 (CE)	1322-1440	5.8-6.0	BS-1363	

<sup>o</sup> Non-humidified cabinets available, unit will only operate in dry mode.

• Height includes standard 1" (25 mm) legs.

\* Shipping weight includes packaging.

### CABINET OPENING

Standard models: 19"W x 18.62" H (483 x 473 mm).

Tall models: 19"W x 23.75" H (483 x 603 mm).

### CORD LOCATION

Facing controls, left-hand side panel, lower right corner.

### PRODUCT SPECS

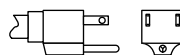
#### Holding and Display Cabinets

The humidity controlled Holding and Display Cabinet shall be a Flav-R-Savor® Model ..., rated at ... volts and ... watts, as manufactured by the Hatco Corporation, Milwaukee, WI 53234 U.S.A.

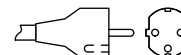
The cabinet shall have ... door(s), tempered glass sides, stationary rack (or revolving display), and fluorescent display lights. It shall include a water reservoir, humidity

### PLUG CONFIGURATIONS

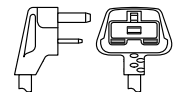
NEMA 5-15P



CEE 7/7 Schuko



BS-1363



AS 3112



selector, temperature selector, On/Off switch, indicating lights, and a 6' (1829 mm) cord with plug attached.

Accessories shall include adjustable legs, display racks, pans, and merchandising display sign(s).

Warranty consists of 24/7 parts and service assistance (US and Canada only).

**HATCO CORPORATION** | P.O. Box 340500 Milwaukee, WI 53234-0500 U.S.A.  
(800) 558-0607 | (414) 671-6350 | www.hatcocorp.com | support@hatcocorp.com