



GLO-RAY® INFRA-BLACK® OVERHEAD FOODWARMERS

Models GRAIH-18, -24, -30, -36, -42, -48, -54, -60, -66, -72 GRAIHL-18, -24, -30, -36, -42, -48, -54, -60, -66, -72
 GRAIH-18D, -24D, -30D, -36D, -42D, -48D, -54D, -60D, -66D, -72D GRAIHL-18D, -24D, -30D, -36D, -42D, -48D, -54D, -60D, -66D

Hatco Glo-Ray Infra-Black Foodwarmers are designed as an extension to the line of traditional Hatco foodwarmers. The Infra-Black unit employs a flat black panel (emitter) as the heat source. This emitter mounts into the standard 6" (152 mm) deep aluminum housing that is used with other Hatco Glo-Ray foodwarmers.

FLEXIBILITY

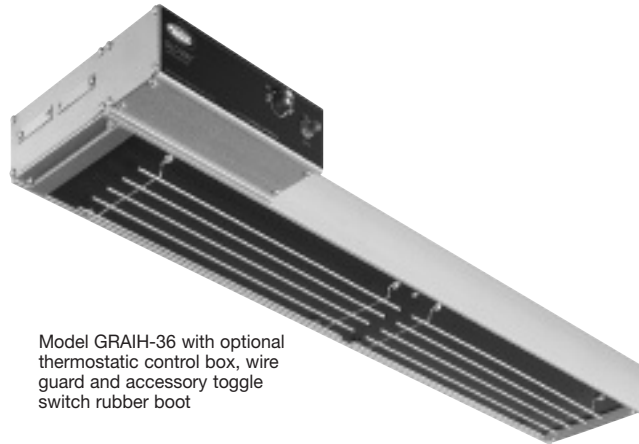
The Infra-Black foodwarmer is designed to be used in applications where the vertical distance from the warmer to the food sitting on a *metallic* surface is between 4" and 10" (102-254 mm). When mounting above a *non-metallic* surface, Infra-Black foodwarmers should not be mounted less than 13½" (343 mm). The emitter provides a very even and precisely controllable heat source that will operate at a wide range of temperatures, resulting in uniform food temperatures at close distances.

Infra-Black Foodwarmers have a thermostat which controls the temperature of the emitter. This allows the unit to be used with a variety of food types, operations, mounting heights between 4" to 10" (102-254 mm) with single units and 8" to 14" (203-356 mm) with dual models. The temperature of the emitter can be easily adjusted to accommodate changing conditions and food product. These warmers require either a thermostatic control box or Remote Control Enclosure.

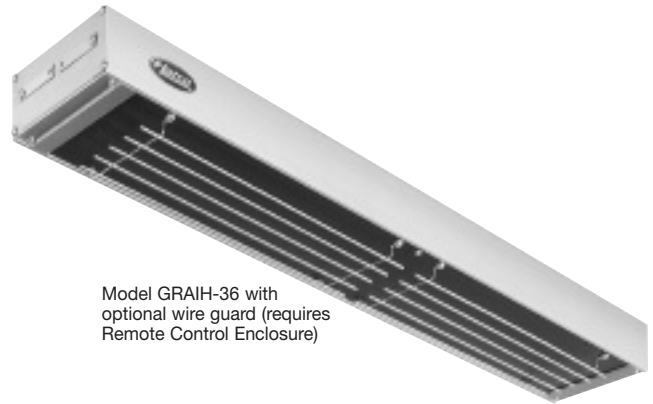
QUALITY

The following features assure the finest performance for years to come:

- Ideal for holding food safely with proper serving temperatures at close distances.
- The temperature is easily adjusted to accommodate changing conditions and food product.
- The flat black emitter provides even, precise controllable heat.
- Available in widths from 18" to 72" (457-1829 mm).
- Sturdy continuous aluminum housings eliminate sagging.
- Optional coated shatter-resistant incandescent lights enhance brilliant product display while safeguarding food products from bulb breakage.



Model GRAIH-36 with optional thermostatic control box, wire guard and accessory toggle switch rubber boot



Model GRAIH-36 with optional wire guard (requires Remote Control Enclosure)



METAL SHEATHED ELEMENTS GUARANTEED AGAINST BURNOUT AND BREAKAGE FOR TWO YEARS.



HATCO CORPORATION P.O. Box 340500 Milwaukee, WI 53234-0500 U.S.A.
 (800) 558-0607 • (414) 671-6350 • Fax (800) 543-7521 • Int'l. Fax (414) 671-3976
 www.hatcocorp.com • E-mail: equipsales@hatcocorp.com

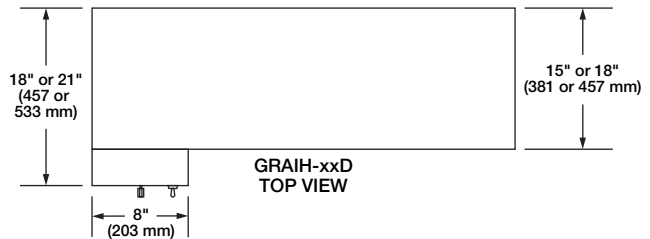
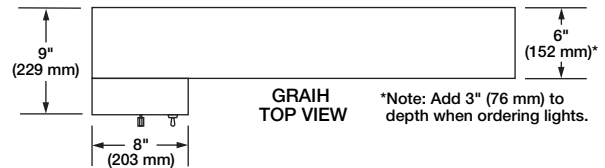
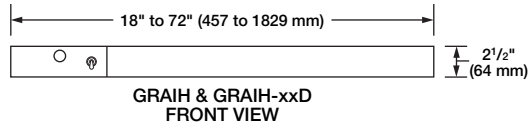
Form No. GRAIH Spec Sheet

Printed in U.S.A.
 January 2007



GLO-RAY® INFRA-BLACK® OVERHEAD FOODWARMERS

Models GRAIH-18, -24, -30, -36, -42, -48, -54, -60, -66, -72 GRAIHL-18, -24, -30, -36, -42, -48, -54, -60, -66, -72
GRAIH-18D, -24D, -30D, -36D, -42D, -48D, -54D, -60D, -66D, -72D GRAIHL-18D, -24D, -30D, -36D, -42D, -48D, -54D, -60D, -66D



SPECIFICATIONS

Infra-Black Models

Model	Watts	Width	Shipping Weight*
GRAIH-18	350	18" (457 mm)	6 lbs. (3 kg)
GRAIH-24	500	24" (610 mm)	11 lbs. (5 kg)
GRAIH-30	660	30" (762 mm)	13 lbs. (6 kg)
GRAIH-36	800	36" (914 mm)	15 lbs. (7 kg)
GRAIH-42	950	42" (1067 mm)	17 lbs. (8 kg)
GRAIH-48	1100	48" (1219 mm)	21 lbs. (10 kg)
GRAIH-54	1250	54" (1372 mm)	24 lbs. (11 kg)
GRAIH-60	1400	60" (1524 mm)	27 lbs. (12 kg)
GRAIH-66	1560	66" (1676 mm)	30 lbs. (14 kg)
GRAIH-72	1725	72" (1829 mm)	33 lbs. (15 kg)

Infra-Black Models with Lights

Model	Watts	Width	Shipping Weight*
GRAIHL-18	470	18" (457 mm)	12 lbs. (5 kg)
GRAIHL-24	620	24" (610 mm)	15 lbs. (7 kg)
GRAIHL-30	780	30" (762 mm)	17 lbs. (8 kg)
GRAIHL-36	980	36" (914 mm)	20 lbs. (9 kg)
GRAIHL-42	1130	42" (1067 mm)	23 lbs. (10 kg)
GRAIHL-48	1340	48" (1219 mm)	26 lbs. (12 kg)
GRAIHL-54	1490	54" (1372 mm)	29 lbs. (13 kg)
GRAIHL-60	1700	60" (1524 mm)	33 lbs. (15 kg)
GRAIHL-66	1860	66" (1676 mm)	34 lbs. (15 kg)
GRAIHL-72	2085	72" (1829 mm)	36 lbs. (16 kg)

Infra-Black Dual Models

Model	Watts	Width	Shipping Weight*
GRAIH-18D	700	18" (457 mm)	13 lbs. (6 kg)
GRAIH-24D	1000	24" (610 mm)	19 lbs. (9 kg)
GRAIH-30D	1320	30" (762 mm)	21 lbs. (10 kg)
GRAIH-36D	1600	36" (914 mm)	24 lbs. (11 kg)
GRAIH-42D	1900	42" (1067 mm)	27 lbs. (12 kg)
GRAIH-48D	2200	48" (1219 mm)	32 lbs. (15 kg)
GRAIH-54D	2500	54" (1372 mm)	35 lbs. (16 kg)
GRAIH-60D	2800	60" (1524 mm)	39 lbs. (18 kg)
GRAIH-66D	3120	66" (1676 mm)	42 lbs. (19 kg)
GRAIH-72D	3450	72" (1829 mm)	46 lbs. (21 kg)

Infra-Black Dual Models with Lights

Model	Watts	Width	Shipping Weight*
GRAIHL-18D	820	18" (457 mm)	18 lbs. (8 kg)
GRAIHL-24D	1120	24" (610 mm)	21 lbs. (10 kg)
GRAIHL-30D	1440	30" (762 mm)	23 lbs. (10 kg)
GRAIHL-36D	1780	36" (914 mm)	27 lbs. (12 kg)
GRAIHL-42D	2080	42" (1067 mm)	30 lbs. (14 kg)
GRAIHL-48D	2440	48" (1219 mm)	35 lbs. (16 kg)
GRAIHL-54D	2740	54" (1372 mm)	38 lbs. (17 kg)
GRAIHL-60D	3100	60" (1524 mm)	42 lbs. (19 kg)
GRAIHL-66D	3420	66" (1676 mm)	44 lbs. (20 kg)

* Does not include RMB.

DIMENSIONS

GRAIH: 18"-72"W x 6"D x 2 1/2"H (457-1829 x 152 x 64 mm).

GRAIHL: 18"-72"W x 9"D x 2 1/2"H (457-1829 x 229 x 64 mm).

GRAIH-xxD & GRAIHL-xxD with 3" (76 mm) Spacer:

18"-72"W x 15"D x 2 1/2"H (457-1829 x 381 x 64 mm).

GRAIH-xxD & GRAIHL-xxD with 6" (152 mm) Spacer:

18"-72"W x 18"D x 2 1/2"H (457-1829 x 457 x 64 mm).

Attached Control Enclosure: 8"W x 3"D x 2 1/2"H
(203 x 76 x 64 mm).

VOLTAGE

120, 208 and 240 volts, single phase.

Models with lights rated 120, 3-wire, 120/208 or 120/240 volts, single phase, 4-wire.

OPTIONS (NOT FOR RETROFIT)

- Designer Colors: Warm Red, Black, Gray Granite, White Granite, Navy Blue, Hunter Green
- Gloss Finishes: Radiant Red, Brilliant Blue, Bold Black
- Remote Control Enclosure
- Element (Emitter) Wire Guards
- Dual Mounting with 3" or 6" (76 or 152 mm) Spacer†
- Halogen Bulbs in lieu of Standard Display Lights

† Relay required for 120V 42"-72" (1067-1829 mm) and 208V 72" (1829 mm) models.

ACCESSORIES

- Non-Adjustable Tubular Dual Stands – 4", 6", 8", 10", 12" or 14" (102, 152, 203, 254, 305 or 356 mm) Height
- Wall Brackets
- Adjustable Angle Brackets
- Chain Suspension
- Threaded Rubber Boot for Toggle Switch

PRODUCT SPECS

Infra-Black Foodwarmer

The Infra-Black Foodwarmer shall be a Glo-Ray®, manufactured by the Hatco Corporation, Milwaukee, WI 53234 U.S.A.

With 24/7 service (U.S. and Canada only), the foodwarmer shall be an Infra-Black® Model, rated atwatts,volts, single phase and beinches (millimeters) in overall width.

The Glo-Ray shall consist of an aluminum housing and require either a thermostatic control box or remote control enclosure.

The infrared heating element shall be tubular metal sheathed. The foodwarmer shall be factory assembled ready for electrical installation.

Accessories shall include non-adjustable tubular stand, wall brackets, adjustable angle brackets, suspension chain and toggle boot switch.

HATCO CORPORATION P.O. Box 340500 Milwaukee, WI 53234-0500 U.S.A. • (800) 558-0607 • (414) 671-6350
Fax (800) 543-7521 • Int'l. Fax (414) 671-3976 • www.hatcocorp.com • E-mail: equipsales@hatcocorp.com