



## GLO-RAY® HEATED STONE SHELVES

Models GRSSR-16, -18, -20 GRSS-2418, -3018, -3618, -4818, -6018, -7218  
GRSSB-2418, -3018, -3618, -4818, -6018, -7218 GRSSR20-DL77516

The Hatco Glo-Ray Heated Stone Shelf has a blanket-type foil element to create a uniform heat across the entire Swanstone™ surface, an NSF-approved food-safe material. Adjustable thermostats controls allow surface temperature to range from 100° to 200°F (38°-94°C).

### FLEXIBILITY

Ideal for use on buffet lines and hors d'oeuvre displays, these unique foodwarmers are available in portable and built-in models, and in four Decorative Stone colors to match or compliment any display area. They feature a thermostatically-controlled heated base to help hold your food hot and delicious.

Built-in models include a remote box with a 3' (914 mm) conduit. Portable units come with a 6' (1829 mm) cord and plug.

### QUALITY

The following features assure the finest performance for years to come:

- Hatco Heated Stone Shelves are NSF approved food-safe materials, available in portable and built-in models.
- Four Decorative Stone colors for the shelf: Gray Granite, Bermuda Sand, Night Sky, and Sawgrass.
- Six *Designer* colors for the GRSSR20-DL77516 lamp.
- Every Heated Stone Shelf features a thermostatically-controlled heated base to help hold your food hot and delicious.

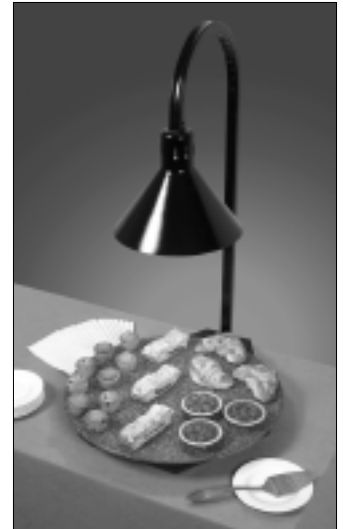
**NOTE:** For any size GRSSB, the next larger size GRA, GR2A, or GR3 will fit over the top. For example, a GRSSB-3018 will require a GRA-36, a GR2A-36, or a GR3L-35. The GRA and GR3 will have a tight fit to the frame of the base. The GR2A will have approximately a 4" (102 mm) space.



Model GRSSR-20



Two GRSS-3618 Models



Model GRSSR20-DL77516 in *Designer* color and Decorative Stone color



Model GRSSB-3018 and stainless steel strip shown below Model GR3L-41 Heated Glass Overshelf with accessory breath protectors

### GRSSB Countertop Cut-Out Dimensions

Model	Minimum Width	Maximum Width	Minimum Depth	Maximum Depth
GRSSB-2418	24½" ( 622 mm)	24¾" ( 629 mm)	18½" (470 mm)	18¾" (476 mm)
GRSSB-3018	30½" ( 775 mm)	30¾" ( 781 mm)	18½" (470 mm)	18¾" (476 mm)
GRSSB-3618	36½" ( 927 mm)	36¾" ( 933 mm)	18½" (470 mm)	18¾" (476 mm)
GRSSB-4818	48½" (1232 mm)	48¾" (1238 mm)	18½" (470 mm)	18¾" (476 mm)
GRSSB-6018	60½" (1537 mm)	60¾" (1543 mm)	18½" (470 mm)	18¾" (476 mm)
GRSSB-7218	72½" (1842 mm)	72¾" (1848 mm)	18½" (470 mm)	18¾" (476 mm)



BLANKET ELEMENTS GUARANTEED AGAINST BURNOUT AND BREAKAGE FOR ONE YEAR.

HATCO CORPORATION P.O. Box 340500 Milwaukee, WI 53234-0500 U.S.A.  
(800) 558-0607 • (414) 671-6350 • Fax (800) 543-7521 • Int'l. Fax (414) 671-3976  
www.hatcocorp.com • E-mail: equipsales@hatcocorp.com

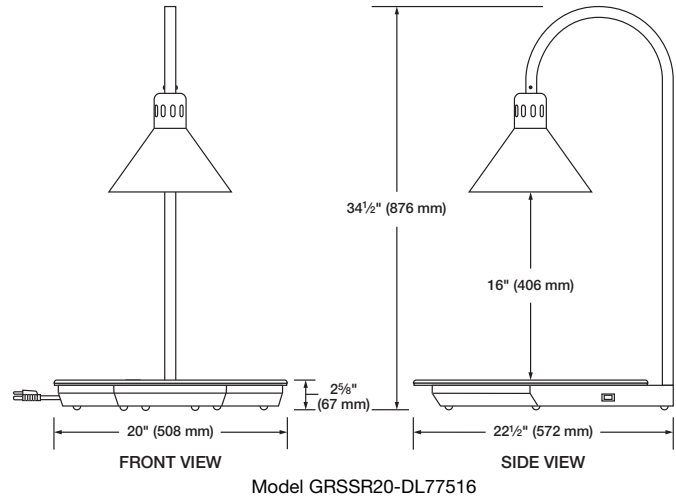
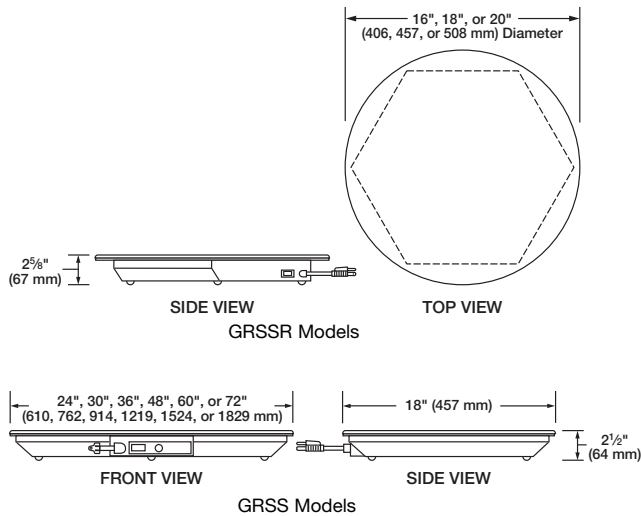
Form No. GRSS/B/R Spec Sheet

Printed in U.S.A.  
April 2007



# GLO-RAY® HEATED STONE SHELVES

Models GRSSR-16, -18, -20 GRSS-2418, -3018, -3618, -4818, -6018, -7218  
GRSSB-2418, -3018, -3618, -4818, -6018, -7218 GRSSR20-DL77516



## SPECIFICATIONS

### Round Models

Model	Watts	Amps	Diameter	Shipping Weight
GRSSR-16	250	2.1	16" (406 mm)	15 lbs. (7 kg)
GRSSR-18	325	2.7	18" (457 mm)	15 lbs. (7 kg)
GRSSR-20	400	3.3	20" (508 mm)	20 lbs. (9 kg)

### Round Model with Display Lamp

Model	Watts	Amps	Width	Shipping Weight
GRSSR20-DL77516	650	5.4	20" (508 mm)	40 lbs. (18 kg)

### Portable Models

Model	Watts	Amps	Width	Shipping Weight
GRSS-2418	635	5.3	24" ( 610 mm)	22 lbs. (10 kg)
GRSS-3018	780	6.5	30" ( 762 mm)	27 lbs. (12 kg)
GRSS-3618	930	7.8	36" ( 914 mm)	32 lbs. (15 kg)
GRSS-4818	1270	10.6	48" (1219 mm)	44 lbs. (20 kg)
GRSS-6018	1560	13.0	60" (1524 mm)	54 lbs. (25 kg)
GRSS-7218	1860	15.6	72" (1829 mm)	64 lbs. (29 kg)

### Built-in Models

Model	Watts	Amps	Width	Shipping Weight
GRSSB-2418	635	5.3	24" ( 610 mm)	27 lbs. (12 kg)
GRSSB-3018	780	6.5	30" ( 762 mm)	32 lbs. (15 kg)
GRSSB-3618	930	7.8	36" ( 914 mm)	37 lbs. (17 kg)
GRSSB-4818	1270	10.6	48" (1219 mm)	54 lbs. (25 kg)
GRSSB-6018	1560	13.0	60" (1524 mm)	64 lbs. (29 kg)
GRSSB-7218	1860	15.6	72" (1829 mm)	74 lbs. (34 kg)

Temperature Range: 100°-200°F (38°-94°C).

## OPTIONS (NOT FOR RETROFIT)

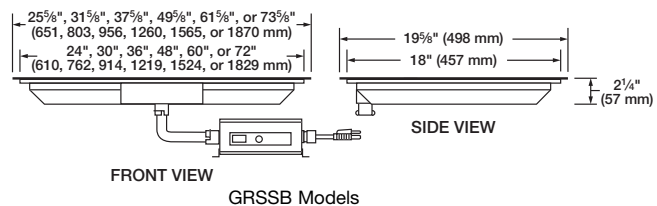
- Decorative Stone Colors: Gray Granite, Bermuda Sand, Night Sky, Sawgrass
- Designer Colors: Warm Red, Black, Gray Granite, White Granite, Navy Blue, Hunter Green (Flush Mount Bezel only)
- Designer Colors: Warm Red, Black, Gray Granite, White Granite, Navy Blue, Hunter Green (GRSSR20-DL77516 Lamp only)

## PRODUCT SPECS

### Heated Stone Shelf

The Heated Stone Shelf shall be a Glo-Ray® Model ...as manufactured by the Hatco Corporation, Milwaukee, WI 53234 U.S.A. With 24/7 service (U.S. and Canada only), the Heated Stone Shelf shall be rated at ....watts, ....volts, and ....inches (millimeters) in overall width. It shall consist of food-safe material, thermostatically-controlled heated base, and a 6' (1829 mm) cord with plug attached (portable models) or remote box with 3' (914 mm) conduit (GRSSB models only).

**HATCO CORPORATION P.O. Box 340500 Milwaukee, WI 53234-0500 U.S.A. • (800) 558-0607 • (414) 671-6350**  
Fax (800) 543-7521 • Int'l. Fax (414) 671-3976 • www.hatcocorp.com • E-mail: equipsales@hatcocorp.com



## DIMENSIONS

GRSSR-16, -18, -20: 16", 18", 20" Dia. x 2 5/8"H (406, 457, 508 x 67 mm).

GRSSR20-DL77516: 20"W x 22 1/2"D x 34 1/2"H (508 x 572 x 876 mm).

GRSS-2418, -3018, -3618, -4818, -6018, -7218: 24", 30", 36", 48", 60", or 72" W x 18"D x 2 1/2"H (610, 762, 914, 1219, 1524, or 1829 x 457 x 64 mm).

GRSSB-2418, -3018, -3618, -4818, -6018, -7218: 25 5/8", 31 5/8", 37 5/8", 49 5/8", 61 5/8", or 73 5/8" W x 19 5/8"D x 2 1/4"H (651, 803, 956, 1260, 1565, or 1870 x 498 x 57 mm).

Cutout Dimensions: (Width - 1 1/8") W x (Depth - 1 1/8") D (Width - 29 mm x Depth - 29 mm).

## VOLTAGE

120 volts, single phase only, (uses NEMA 5-15), (GRSS-6018, GRSS-7218, GRSSB-6018, and GRSSB-7218 use NEMA 5-20P).

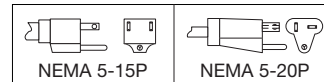
## CORD LOCATION

GRSSR Models and GRSSR20-DL77516: Back side on base.

GRSS Models: Center of side with switch.

GRSSB Models: End of remote enclosure.

## PLUG CONFIGURATIONS



- Flush Mount Control Box with Lighted Power Switch (GRSSB models only)

## ACCESSORIES

- Curved Swanstone® Cutting Board with Gravy Ring (GRSSR models and GRSSR20-DL77516 only)

With 24/7 service, the Heated Stone Shelf with Display Lamp shall be rated at ...watts, ... volts, and ....inches (millimeters) in overall width. It shall consist of a food-safe material, thermostatically-controlled heated base, and a 6' (1829 mm) cord with plug attached.

The Lamp shall be ....inches (millimeters) in overall length and be ....inches (millimeters) away from the shelf. It shall consist of a powdercoated vented lamp shade with heat bulb and mounting.