



Project _____
 Item # _____
 Quantity _____

Split Drawer Warmers

Models: HDW-1R2, -1.5R2, -2R2

Expand holding capacities with Hatco's Split Drawer Warmer. Ideal for holding products that are lower in height profile such as bacon, sausage, hot dogs, rolls, pot pies and delicate products that should not be stacked. Each drawer features adjustable sliding vents and individual thermostatic controls to hold a wide variety of hot foods safely for peak serving periods.

Standard features

- Each drawer has a recessed individual thermostatic control, and temperature monitor – optional touchscreen display control (TTC) available
- Adjustable sliding vents on each drawer (No vents available as an option)
- Standard 20.75" x 12.75" x 2.5" (527 x 324 x 64 mm) pan supplied with each drawer
- Each drawer will accommodate one 1/2 sheet pan
- Units come with 6' (1829 mm) cord, plug, and 4" (102 mm) legs



Options (available at time of purchase only)

- Touchscreen display control (TTC)
- No drawer vents

Accessories

- Stainless Steel Food Pans

For operation, location and safety information, please refer to the Installation & Operating Manual.



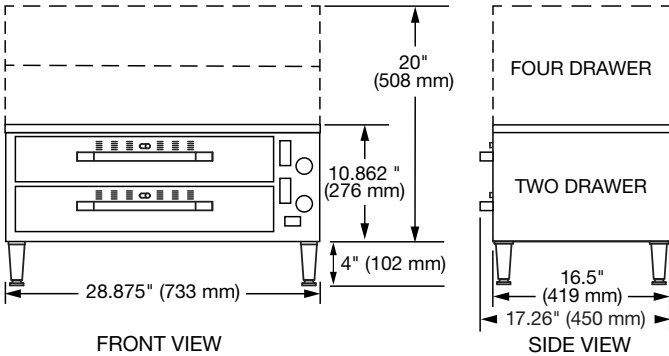
HATCO CORPORATION | P.O. Box 340500 Milwaukee, WI 53234-0500 U.S.A.
 (800) 558-0607 | (414) 671-6350 | www.hatcocorp.com | support@hatcocorp.com



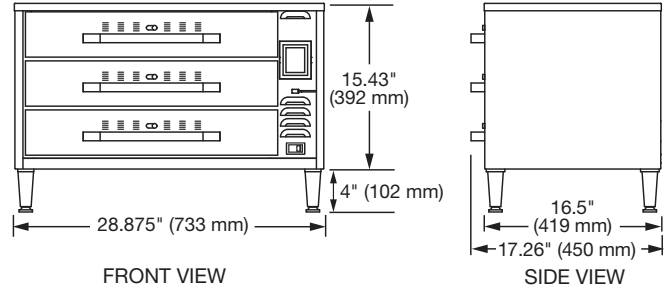
Split Drawer Warmers

Models: HDW-1R2, -1.5R2, -2R2

HDW-1R2, -2R2



HDW-1.5R2



SPECIFICATIONS Split Drawer Warmers STANDARD MECHANICAL CONTROLS

The shaded areas contain electrical information for International models

Model	Dimensions* (Width x Depth x Height)	Volts	Phase	Watts	Amps	Plug [†]	Approx Ship Weight*
HDW-1R2	28.875" x 16.5" x 14.862" (733 x 419 x 378 mm)	120	Single	690	5.8	NEMA 5-15P	90 lbs. (41 kg)
		220		580	2.6	BS-1363, 7/7 Schuko AS-3112	
		230		634	2.8		
		240		690	2.9		
HDW-1.5R2	28.875" x 16.5" x 19.43" (733 x 419 x 494 mm)	120	Single	990	8.3	NEMA 5-15P	112 lbs. (51 kg)
		220		832	3.8	BS-1363, 7/7 Schuko AS-3112	
		230		909	4		
		240		990	4.1		
HDW-2R2	28.875" x 16.5" x 24" (733 x 419 x 610 mm)	120	Single	1290	10.8	NEMA 5-15P	135 lbs. (61 kg)
		220		1084	4.9	BS-1363, 7/7 Schuko, AS-3112	
		230		1185	5.2		
		240		1290	5.4		

SPECIFICATIONS Split Drawer Warmers TOUCH SCREEN CONTROL

The shaded areas contain electrical information for International models

Model	Dimensions* (Width x Depth x Height)	Volts	Phase	Watts	Amps	Plug [†]	Approx Ship Weight*
HDW-1R2	28.875" x 16.5" x 14.862" (733 x 419 x 378 mm)	120	Single	715	6.0	NEMA 5-15P	90 lbs. (41 kg)
		220		605	2.8	BS-1363, 7/7 Schuko AS-3112	
		230		659	2.9		
		240		715	3.0		
HDW-1.5R2	28.875" x 16.5" x 19.43" (733 x 419 x 494 mm)	120	Single	1020	8.5	NEMA 5-15P	112 lbs. (51 kg)
		220		862	3.9	BS-1363, 7/7 Schuko AS-3112	
		230		939	4.1		
		240		1020	4.3		
HDW-2R2	28.875" x 16.5" x 24" (733 x 419 x 610 mm)	120	Single	130	11.0	NEMA 5-15P	135 lbs. (61 kg)
		220		1114	5.0	BS-1363, 7/7 Schuko, AS-3112	
		230		1215	5.3		
		240		1320	5.5		

† Height includes 4" (102 mm) legs (castors not available). Add 1.25" (32 mm) to Depth for drawer handle.

† Plug configuration must be specified for international models (220V, 230V, 240V).

* Shipping weight includes packaging.

Note: If 4" (102 mm) legs are not used, the unit must be sealed to the counter.



Split Drawer Warmers

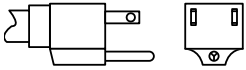
Models: HDW-1R2, -1.5R2, -2R2

CORD LOCATION

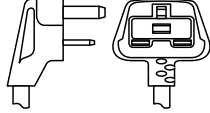
Back of unit, lower left corner.

PLUG CONFIGURATIONS

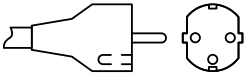
NEMA 5-15P



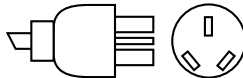
BS-1363



7/7 SCHUKO



AS-3112



PRODUCT SPECS

Split Drawer Warmers

The Drawer Warmers shall be a Hatco model ... , as manufactured by the Hatco Corporation, Milwaukee, WI 53234, U.S.A.

The unit shall have ... drawer(s) and be rated at ... watts, ... amps. Freestanding model shall be equipped with a cord and plug.

The Drawer Warmer shall have a stainless steel exterior, interior, drawer slides,

and assembly. The drawer assembly shall fully extend to allow removal of pans without tilting.

The unit shall be insulated on top, back, bottom and sides of cabinet, thermostat and temperature monitor or optional touch display control on each drawer.

Warranty consists of 24/7 parts and service assistance (U.S. and Canada only).

HATCO CORPORATION

(800) 558-0607 | (414) 671-6350

P.O. Box 340500 Milwaukee, WI 53234-0500 U.S.A.

www.hatcocorp.com | support@hatcocorp.com