



Project \_\_\_\_\_  
 Item # \_\_\_\_\_  
 Quantity \_\_\_\_\_

## Built-In Full-Size Uninsulated Heated Wells – UR, C-UR Fabricator Components

Models: HWBLRT-FUL, -FULD  
 HWBLRN-FUL, -FULD  
 HWBRT-FUL, -FULD  
 HWBRN-FUL, -FULD  
 HWBHRT-FUL, -FULD  
 HWBHRN-FUL, -FULD

Hatco's Built-In Full-Size Uninsulated UR and C-UR Heated Wells are recognized as having UL components that hold hot food products at safe serving temperatures, plus have the added benefit of allowing fabricators the freedom to design their own steam tables. The rugged, quality construction ensures that Hatco Heated Wells will last through the rigors of commercial use.

### Standard features

- Rectangular Full-Size Uninsulated Heated Well in top or bottom mount
- Thermostatic controls feature a separate lighted ON/OFF switch and temperature dial, allowing preset temperatures to be maintained
- Thermostatic or infinite controls available (Not available on 120V High Watt)
- Without conduit and control box enclosure
- Available with or without a drain
- 50% larger drain with flat screen simplifies cleaning and holds pans level
- Low (120V only), Standard and High Watt
- Thicker stainless steel construction and solid brazed joints for durability
- Easy service access to heating elements and thermostats
- Mounting kits for combustible or thicker countertops available
- EZ locking hardware for quick installation
- Accessory adapters to convert full-size wells to hold round pans

\*Fabricator will need to obtain UL approvals.



### Options (available at time of purchase only)

- Additional Power Supply Lead Wire in 1' (305 mm) increments for "RN" (Infinite Control) Components (Lead Wire only - Conduit not included)

### Accessories

Rectangular Full-Size Stainless Steel Food Pans:

- Third-Size (2.5" [64 mm] H)  Half-Size (2.5" [64 mm] H)
- Full-Size (2.5" [64 mm] H)  Full-Size (4" [101 mm] H)
- Full-Size (6" [152 mm] H)

Round Food Pans:

- 4-Quart (4-Liter)  7-Quart (7-Liter)

Hinged Lid for Round Pans:

- 4-Quart (4-Liter)  7-Quart (7-Liter)

Notched Lid for Round Pans:

- 4-Quart (4-Liter)  7-Quart (7-Liter)

Stainless Steel Wire Trivets:

- Half-Size  Full-Size

Adapter to convert warmers to hold Round Pans

- Holds three 4-Quart (4-Liter) Inserts  Holds two 7-Quart (7-Liter) Inserts

Support Bars:

- 12" (305 mm)  20" (508 mm)

Mounting Kit for:

- Combustible countertops  Thicker countertops
- 3/4" Ball Valve for unit with Drains
- 3/4" Gate Valve for unit with Drains
- Heated Well Remote Handle for 3/4" Drains (requires a Ball or Gate Valve)



HATCO CORPORATION | P.O. Box 340500 Milwaukee, WI 53234-0500 U.S.A.  
 (800) 558-0607 | (414) 671-6350 | www.hatcocorp.com | support@hatcocorp.com



# Built-In Full-Size Uninsulated Heated Wells — UR, C-UR Fabricator Components

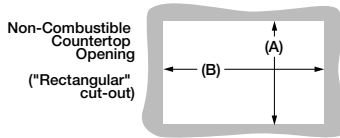
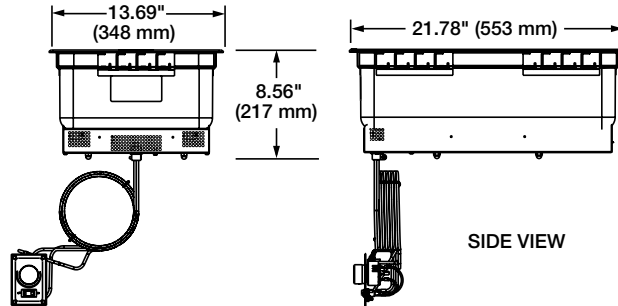
Models: HWBLRT-FUL, -FULD, HWBLRN-FUL, -FULD, HWBRT-FUL, -FULD, HWBRN-FUL, -FULD, HWBHRT-FUL, FULD, HWBHRN-FUL, FUL

## Ordering Instructions

(Please specify the following with each order)

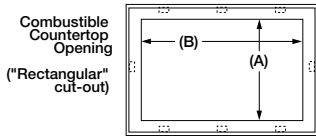
1. **Desired Voltage:** 120, 208 or 240V  
(export voltage available)
2. **Base Size of Heated Well:**  
Rectangular: Full (12" x 20" [305 x 508 mm])
3. **Drain** (With or without)
4. **Mounting Style**  
A. Top Mounted  
B. Bottom Mounted
5. **Wattage**  
A. High Watt  
B. Standard Watt  
C. Low Watt (120V only)
6. **Agency:**  
A. UR and C-UR (UL recognized – Conduit and control enclosures not included). Fabricators will need to obtain approvals

### HWB-FUL-UR Series



#### Cutout Dimensions for Non-Combustible Countertops

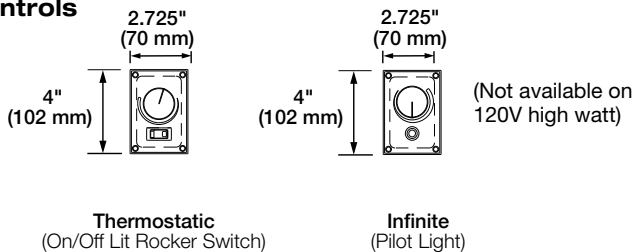
Model	Minimum Width (A)	Maximum Width (A)	Minimum Depth (B)	Maximum Depth (B)
HWB-FUL	12.625" (321 mm)	12.94" (328 mm)	20.625" (524 mm)	20.94" (531 mm)



#### Cutout Dimensions for Combustible Countertops

Model	Minimum Width (A)	Maximum Width (A)	Minimum Depth (B)	Maximum Depth (B)
HWB-FUL	14" (356 mm)	14.25" (362 mm)	22" (559 mm)	22.25" (565 mm)

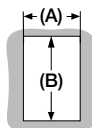
### Controls



**Thermostatic**  
(On/Off Lit Rocker Switch)

**Infinite**  
(Pilot Light)

Control Box Opening  
(Thermostatic or Infinite shown)



#### Cutout Dimensions for Control Boxes

Control Box	Minimum Width (A)	Maximum Height (B)
T-Stat Control	2.125" (54 mm)	3.375" (86 mm)
Infinite Control	2.125" (54 mm)	3.375" (86 mm)



# Built-In Full-Size Uninsulated Heated Wells — UR, C-UR Fabricator Components

Models: HWBLRT-FUL, -FULD, HWBLRN-FUL, -FULD, HWBRT-FUL, -FULD, HWBRN-FUL, -FULD, HWBHRT-FUL, FULD, HWBHRN-FUL, FUL

## Full-Size Rectangular Uninsulated Models — UR, C-UR Fabricator Components

■ The shaded areas contain electrical information for International models only

	Model*	Dimensions (Width x Depth x Height)	Volts* (Single Phase)	Watts	Amps	Optional Control Configurations		Ship Weight
Low Watt	HWBLRT-FUL HWBLRT-FULD HWBLRN-FUL HWBLRN-FULD (Top or Bottom Mount)	13.69" x 21.78" x 8.56" (348 x 553 x 218 mm)	120	750	6.3	Thermostatic (ON/OFF lit rocker switch)	Infinite (control with pilot light)	21 lbs. (10 kg) 24 lbs. (11 kg) 20 lbs. (9 kg) 24 lbs. (11kg)
	19 lbs. (9 kg) 20 lbs. (9 kg) 19 lbs. (9 kg) 20 lbs. (9 kg)							
Standard	HWBRT-FUL HWBRT-FULD HWBRN-FUL HWBRN-FULD (Top or Bottom Mount)	13.69" x 21.78" x 8.56" (348 x 553 x 218 mm)	120	1200	10.0	Thermostatic (ON/OFF lit rocker switch)	Infinite (control with pilot light)	21 lbs. (10 kg) 18 lbs. (8 kg) 21 lbs. (10 kg) 20 lbs. (9 kg)
			208		5.8			
			240		5.0			
			220	1200	5.5			
			240		5.0			
High Watt	HWBHRT-FUL HWBHRT-FULD HWBHRN-FUL HWBHRN-FULD (Top or Bottom Mount)	13.69" x 21.78" x 8.56" (348 x 553 x 218 mm)	120	1650	13.8	Thermostatic (ON/OFF lit rocker switch)	Infinite (control with pilot light)	21 lbs. (10 kg) 18 lbs. (8 kg) 21 lbs. (10 kg) 20 lbs. (9 kg)
			208		7.9			
			240		6.9			
			220	1650	7.5			
			240		6.9			

- \*"RT" added to model name indicates unit with thermostat control, lit rocker switch and 36" (914 mm) or 72" (1829 mm) capillary.
- \*"RN" added to model name indicates unit with infinite switch control, pilot light and 36" (914 mm) leads. Additional lengths available in one foot (305 mm) increments.
- \*CE Mark not available.

### PRODUCT SPECS Built-In Full-Size Uninsulated Heated Wells

The Built-In Rectangular Uninsulated Heated Well – UR, C-UR Fabricator Components shall be a Model ....as manufactured by the Hatco Corporation, Milwaukee, WI 53234 U.S.A.

The Built-In Uninsulated Rectangular Heated Well shall be rated at ....watts, ....volts, and be ....inches (millimeters) in overall width and be ....inches (millimeters) in overall depth. It shall consist of stainless and aluminized steel housing with a

metal sheathed heating element, EZ locking hardware for installation, and a remote thermostat with lighted power switch. Models with a drain consist of a 3/4" NPT drain. Warranty consists of 24/7 parts and service assistance (US and Canada only)

**HATCO CORPORATION** | P.O. Box 340500 Milwaukee, WI 53234-0500 U.S.A.  
(800) 558-0607 | (414) 671-6350 | www.hatcocorp.com | support@hatcocorp.com