



Project \_\_\_\_\_  
 Item # \_\_\_\_\_  
 Quantity \_\_\_\_\_

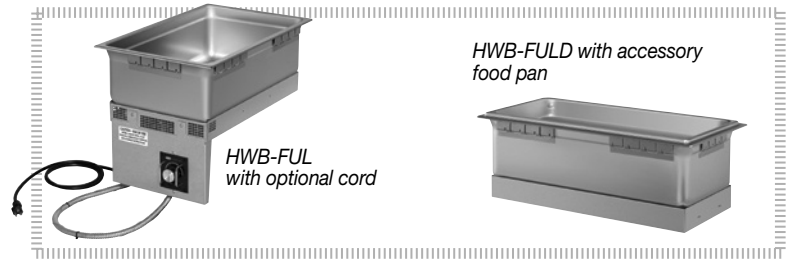
## Built-In Full-Size Uninsulated Heated Wells

Models: HWBL-FUL, -FULD, -FULDA  
 HWB-FUL, -FULD, -FULDA  
 HWBH-FUL, -FULD, -FULDA

Hatco Built-In Rectangular Heated Wells provide flexibility and quality, with many options to choose from. These units hold steam table food hot and fresh with thermostats that read the actual temperatures and add heat only when needed.

### Standard features

- Uninsulated rectangular full-size well in top or bottom mount
- Superior thermostat controls that read the actual temperature of the well and add heat only if needed
- Controls feature a separate lighted ON/OFF rocker switch and temperature dial, allowing preset temperatures to be maintained
- Low (120V only), Standard and High Watt available
- Available with or without a drain (50% larger drain with flat screen simplifies cleaning and holds pans level)
- EZ locking hardware for quick installation
- Thicker stainless steel construction and solid brazed joints for durability
- Easy service access to heating elements and thermostats
- Accessory mounting kits for combustible countertops available
- Accessory adapters to convert full-size wells to hold round pans
- Available in a standard front or optional right or left auto-fill location



### Options (available at time of purchase only)

- Additional Power Supply Lead Wire available in one foot (305 mm) increments (Lead wire only – conduit not included) (Models are shipped with 1' [305 mm] of lead wire – no conduit included)
- HWB-FUL with Optional Cord
- Control Box (Options not available for Auto-fill):
  - Standard Thermostat with 6' (1829 mm) Capillary (Standard 120V)
  - ITC Control with Large Control (Not available for low watt, auto-fill configurations or units without a drain)
  - Larger Recessed Thermostatic Control (Standard for 220/240V and not available for auto-fill configurations)
  - WM Control Assembly Replacement (Not available for auto-fill or export models)
- Control Box Bezel in *Designer Colors* for WM Control Assembly or Flush Mount only: (not available for the HWB-FUL w/Cord, Non-standard colors are non-returnable)
  - Warm Red  Black  Gray Granite  White Granite
  - Navy Blue  Hunter Green  Antique Copper
- Left or Right Water Fill Hole for HWBL-, HWB-, HWBH-FULDA only (Front is standard)
  - Right  Left

### Accessories

- Rectangular Full-Size Stainless Steel Food Pans:
  - Third-Size (2.5" [64 mm] H)  Half-Size (2.5" [64 mm] H)
  - Full-Size (2.5" [64 mm] H)  Full-Size (4" [101 mm] H)
  - Full-Size (6" [152 mm] H)
- Round Food Pans:
  - 4 Quart (4 Liter)  7 Quart (7 Liter)
- Hinged Lid for Round Pans:
  - 4 Quart (4 Liter)  7 Quart (7 Liter)
- Notched Lid for Round Pans:
  - 4 Quart (4 Liter)  7 Quart (7 Liter)
- Stainless Steel Wire Trivets:
  - Half-Size  Full-Size
- Adapter to Convert Warmers to hold Round Pans:
  - Holds three 4-Quart (4-Liter) Inserts  Holds two 7-Quart (7-Liter) Inserts
- Support Bars:
  - 12" (305 mm)  20" (508 mm)
- Mounting Kit for:
  - Combustible Countertops  Thick Countertops
  - 3/4" Ball Valve for Unit with Drains
  - 3/4" Gate Valve for Unit with Drains
  - Heated Well Remote Handle for 3/4" drains (Includes a Ball Valve)



**HATCO CORPORATION** | P.O. Box 340500 Milwaukee, WI 53234-0500 U.S.A.  
 (800) 558-0607 | (414) 671-6350 | www.hatcocorp.com | support@hatcocorp.com



# Built-In Full-Size Uninsulated Heated Wells

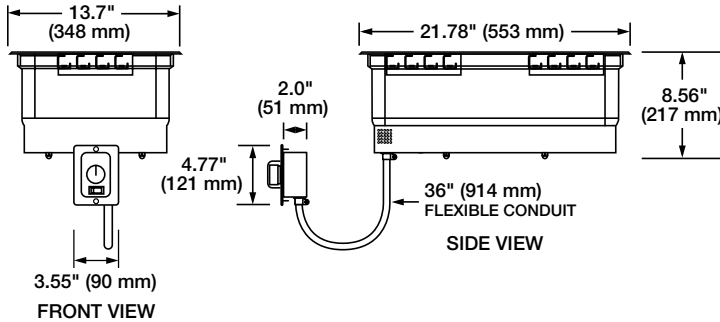
Models: HWBL-FUL, -FULD, -FULDA, HWB-FUL, -FULD, -FULDA, HWBH-FUL, -FULD, -FULDA

## Ordering Instructions

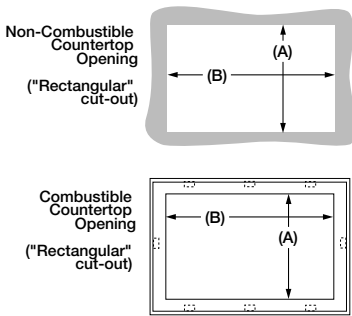
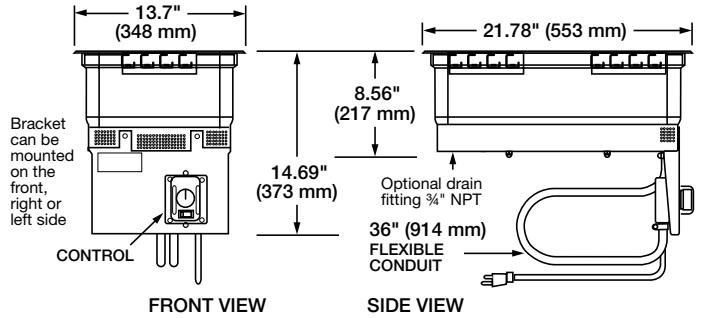
(Please specify the following with each order)

1. **Desired Voltage:** 120, 208, 220 or 240V  
(export voltage available)
2. **Drain** (With or without)
3. **Auto-fill** (With or without)
  - A. Front location (Standard)
  - B. Left location
  - C. Right location
4. **Mounting Style**
  - A. Top Mounted
  - B. Bottom Mounted
5. **Wattage**
  - A. High Watt
  - B. Standard Watt
  - C. Low Watt (120V only)
6. **Agency:**
  - A. UL, C-UL
  - B. UL-EPH (Sanitary listing)
  - C. CE mark available

### HWB-FUL Series (Uninsulated-Shown with Standard Control)



### HWB-FUL Series (Uninsulated Top Mount With Optional Cord)



### Cutout Dimensions for Non-Combustible Countertops

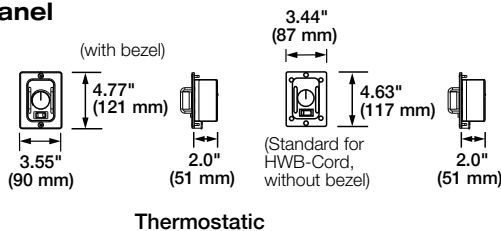
Model	Minimum Width (A)	Maximum Width (A)	Minimum Depth (B)	Maximum Depth (B)
HWB-FUL Series	12.625" (321 mm)	12.94" (328 mm)	20.625" (524 mm)	20.94" (531 mm)
HWB-FULDA Series	12.625" (321 mm)	12.94" (328 mm)	20.625" (524 mm)	20.94" (531 mm)

### Cutout Dimensions for Combustible Countertops ▲

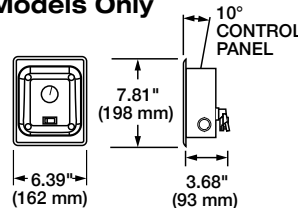
Model	Minimum Width (A)	Maximum Width (A)	Minimum Depth (B)	Maximum Depth (B)
HWB-FUL Series	14" (356 mm)	14.25" (362 mm)	22" (559 mm)	22.25" (565 mm)
HWB-FULDA Series	14" (356 mm)	14.25" (362 mm)	22" (559 mm)	22.25" (565 mm)

▲ Accessory Mounting Kit required for Top Mounts

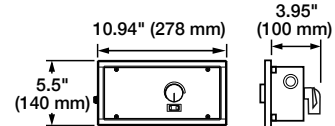
### Standard Control Panel



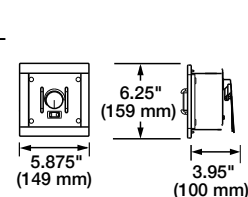
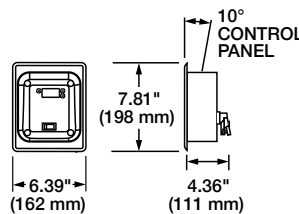
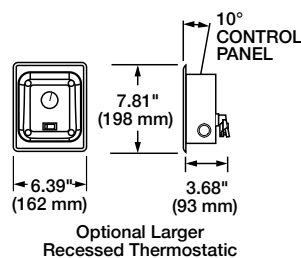
### Standard Control Panel for International Models Only



### Standard Control Panel for Auto-fill Only



### Optional Control Panels (not available for auto-fill)



WM Assembly Replacement (not available for International Models)

Optional ITC Electronic (not available for low watt units and only for units with a drain)

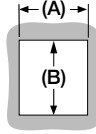


# Built-In Full-Size Uninsulated Heated Wells

Models: HWBL-FUL, -FULD, -FULDA, HWB-FUL, -FULD, -FULDA, HWBH-FUL, -FULD, -FULDA

## Cutout Dimensions for Control Boxes

Control Box Opening  
(Larger Recessed  
Thermostatic shown)



Control Box	Width (A)	Height (B)	International Models
Standard Thermostatic without bezel	2.16" (55 mm)	3.375" (86 mm)	Not available
Standard Thermostatic with bezel	3.25" (83 mm)	3.75" (95 mm)	Not available
Optional Larger Recessed Thermostatic	5.875" (149 mm)	6.375" (162 mm)	Standard
Optional ITC Electronic (not available for 4-QT [4-Liter]) or Low Watt	5.875" (149 mm)	6.375" (162 mm)	Optional
Optional WM Assembly Replacement	4.78" (121 mm)	5.00" (127 mm)	Not available
Standard Auto-fill	10.125 (257 mm)	4.75 (121 mm)	Standard

## Full Size Uninsulated Rectangular Models

The shaded areas contain electrical information for International models only

	Model	Dimensions (Width x Depth x Height)	Volts (Single Phase)	Watts	Amps	Optional Plug Hardwired Standard	Control Configuration*		Ship Weight*
							Standard	Optional	
Low Watt	HWBL-FUL HWBL-FULD (Top or Bottom Mount)	13.7" x 21.78" x 8.56" (348 x 553 x 217 mm)  Optional HWB-Cord: 13.7" x 21.78" x 14.69" (348 x 553 x 373 mm) †	120	750	6.3	Not Available	Thermostatic (with bezel)	WM Assembly or Larger Recessed Thermostatic	22 lbs. (10 kg)
						NEMA 5-15P			
	HWBL-FULDA (Top or Bottom Mount)	13.7" x 21.78" x 8.56" (348 x 553 x 217 mm)	120	765	6.3	Not Available	Auto-fill	None	30 lbs. (14 kg)
Standard Watt	HWB-FUL HWB-FULD (Top or Bottom Mount)	13.7" x 21.78" x 8.56" (348 x 553 x 217 mm)  Optional HWB-Cord: 13.7" x 21.78" x 14.69" (348 x 553 x 373 mm) †	120	1200	10.0	NEMA 5-20P	Thermostatic (with bezel)	WM Assembly, Larger Recessed or ITC Control* (*HWB-FULD only)	22 lbs. (10 kg)
			208		5.8	NEMA 6-15P			
			240		5.0	NEMA 6-15P			
			240		5.5	CEE 7/7 SCHUKO	Larger Recessed	ITC Control (HWB-FULD only)	
			240		5.0	BS-1363 or AS 3112			
			220-230 (CE)		5.5	CEE 7/7 SCHUKO			
			230-240 (CE)		5.0	BS-1363			
	HWB-FULDA (Top or Bottom Mount)	13.7" x 21.78" x 8.56" (348 x 553 x 217 mm)	120	1215	10.1	Not Available	Auto-fill	None	
			208		5.8				
			240		5.1				
240	5.5	Not Available	Auto-fill	None					
240	5.1								
220-230 (CE)	1215/1328	5.5/5.8							
230-240 (CE)	1116/1215	4.9/5.1							

† Only control for optional HWBI-Cord is the Thermostatic without a bezel



# Built-In Full-Size Uninsulated Heated Wells

Models: HWBL-FUL, -FULD, -FULDA, HWB-FUL, -FULD, -FULDA, HWBH-FUL, -FULD, -FULDA

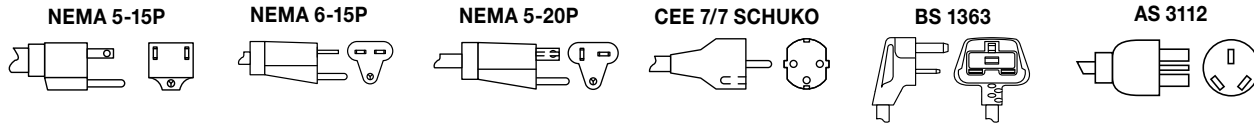
## Full Size Uninsulated Rectangular Models

The shaded areas contain electrical information for International models only

	Model	Dimensions (Width x Depth x Height)	Volts (Single Phase)	Watts	Amps	Optional Plug Hardwired Standard	Control Configuration*		Ship Weight*
							Standard	Optional	
High Watt	HWBH-FUL HWBH-FULD (Top or Bottom Mount)	13.7" x 21.78" x 8.56" (348 x 553 x 217 mm)  Optional HWB-Cord: 13.7" x 21.78" x 14.69" (348 x 553 x 373 mm) †	120	1650	13.8	NEMA 5-20P	Thermostatic (with bezel)	WM Assembly, Larger Recessed or ITC Control* (*HWBH-FULD only)	22 lbs. (10 kg)
			208		7.9	NEMA 6-15P			
			240		6.9				
			220	1650	7.5	CEE 7/7 SCHUKO	Larger Recessed	ITC Control (HWBH-FULD only)	
			240		6.9	BS-1363 or AS 3112			
			220-230 (CE)		7.5	CEE 7/7 SCHUKO			
	230-240 (CE)	6.9	BS-1363						
	HWBH-FULDA (Top or Bottom Mount)	13.7" x 21.78" x 8.56" (348 x 553 x 217 mm)	120	1665	13.9	Not Available	Auto-fill	None	30 lbs. (14 kg)
			208		8.0				
			240		6.9				
			220	1665	7.6	Not Available	Auto-fill	None	
			240		6.9				
220-230 (CE)			1665/1820		7.6/7.9				
230-240 (CE)	1529/1665	6.6/6.9							

† Only control for optional HWBI-Cord is the Thermostatic without a bezel

## PLUG CONFIGURATIONS (Optional)



## PRODUCT SPECS Built-In Rectangular Uninsulated Heated Wells

The Built-In Rectangular Uninsulated Heated Well with or without cord and plug shall be a Model ....as manufactured by the Hatco Corporation, Milwaukee, WI 53234 U.S.A.

Built-in Rectangular Uninsulated Heated Well shall be rated at ....watts, ....volts, and be....inches (millimeters) in overall width and be ....inches (millimeters) in overall depth. It shall consist of stainless and aluminized steel housing with a metal sheathed

heating element, EZ locking hardware for installation, and a remote thermostat with lighted power switch.

Accessories may include stainless steel mounting kit, adapter bars, adapter top, support bars, food pans, remote handle and valves.

Warranty consists of 24/7 parts and service assistance (US and Canada only).