



# HEATED ZONE MERCHANDISER

Models HZMH-24, -30, -36, -42, -48, -54, -60 HZMH-24D, -30D, -36D, -42D, -48D, -54D, -60D  
 HZMS-24, -30, -36, -42, -48, -54, -60 HZMS-24D, -30D, -36D, -42D, -48D, -54D, -60D

ITEM#

The new energy-efficient Hatco Heated Zone Merchandiser safely holds hot packaged food in a smartly designed display that attracts customers. Energy costs are reduced by utilizing Spot On® technology - instant-on overhead elements that are off until a food product is placed on the shelf, compared to other heated merchandisers that stay on full power 100% of the time. Each shelf has multiple heat zones for maximum efficiency. Due to the intensity of the overhead heating elements, Hatco recommends food packaging that can withstand high temperatures.

## FLEXIBILITY

This warmer offers the convenience of self-serve and the efficiency of kitchen-to-server holding.

Available in slant or horizontal shelves, the Heated Zone Merchandising Warmers are offered in both single and dual shelf models. Choose from seven *Designer* colors, (black is standard) to blend the Zone Merchandiser with any décor.

## QUALITY

The following features assure the finest performance for years to come:

- New Spot On technology! Overhead heat is on only when product is present in that zone. Base heat goes from energy saving mode to thermostatically controlled
- New LCD control display for continuous zone monitoring
- Side glass is hinged to the post, and can swing out for easy cleaning. A magnetic catch holds glass in place during standard use.
- These warmers feature a thermostatically-controlled, hardcoated heated base, overhead ribbon elements, and a cord and plug set
- Channel dividers are held in place by magnets, giving the unit more heated surface
- LED lighting on each shelf for illumination, and optional LED accent lighting in support posts

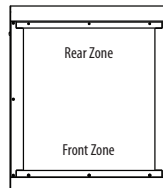
## Heated Zone Merchandiser with Spot-ON® technology

Equipment On Signage Program  
 Hatcographics.com

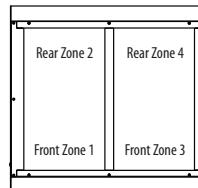


Model HZMS-36D with optional LED accent lighting in support posts

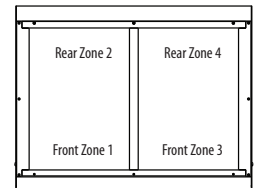
Model Width	Total Zone Space x 21.75"D (552 mm)	Divider Rods Provided	Zone Width	Zones per Shelf
24	20.08"W ( 510 mm)	3 Rods per Shelf	20.08"W (510 mm)	2
30	24.78"W ( 629 mm)	4 Rods per Shelf	12.39"W (315 mm)	4
36	30.74"W ( 780 mm)	4 Rods per Shelf	15.37"W (390 mm)	4
42	36.74"W ( 933 mm)	6 Rods per Shelf	18.37"W (467 mm)	4
48	42.74"W (1085 mm)	6 Rods per Shelf	21.37"W (543 mm)	4
54	47.52"W (1207 mm)	6 Rods per Shelf	15.84"W (402 mm)	6
60	53.52"W (1359 mm)	9 Rods per Shelf	17.84"W (453 mm)	6



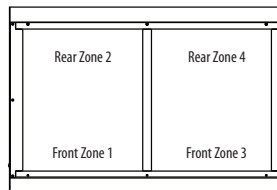
HZM-24



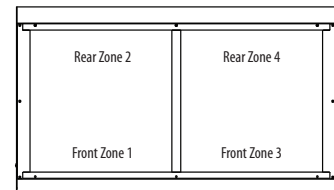
HZM-30



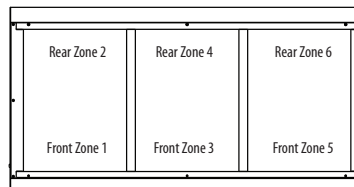
HZM-36



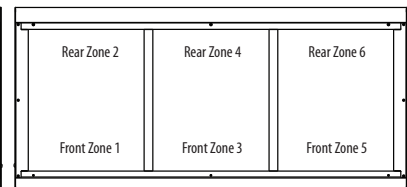
HZM-42



HZM-48



HZM-54



HZM-60



HEATING ELEMENTS GUARANTEED AGAINST BURNOUT AND BREAKAGE FOR ONE YEAR.



HATCO CORPORATION P.O. Box 340500 Milwaukee, WI 53234-0500 U.S.A.  
 (800) 558-0607 • (414) 671-6350 • Fax (800) 543-7521 • Int'l. Fax (414) 671-3976  
 www.hatcocorp.com • E-mail: equipsales@hatcocorp.com

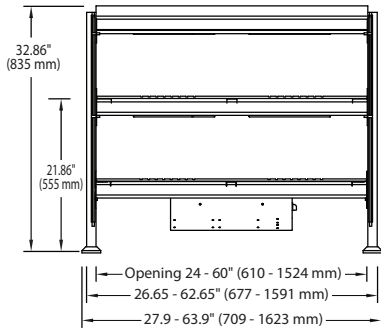
Form No. HZM Spec Sheet

Printed in U.S.A.  
 May 2012

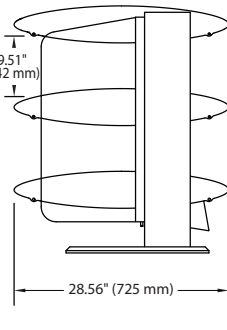


# HEATED ZONE MERCHANDISER

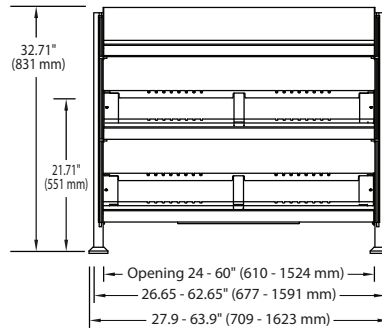
Models HZMH-24, -30, -36, -42, -48, -54, -60 HZMH-24D, -30D, -36D, -42D, -48D, -54D, -60D  
 HZMS-24, -30, -36, -42, -48, -54, -60 HZMS-24D, -30D, -36D, -42D, -48D, -54D, -60D



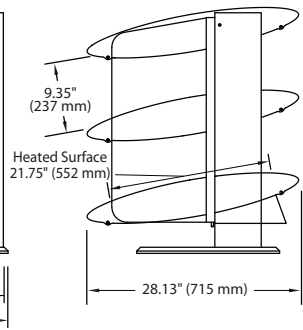
FRONT VIEW  
Horizontal



SIDE VIEW  
Horizontal



FRONT VIEW  
Slant



SIDE VIEW  
Slant

## SPECIFICATIONS Horizontal Models

	Model	Watts	Voltage	No. of Heat Zones
Single Shelf	HZMH-24	750	120	2
	HZMH-30	1350	120	4
	HZMH-36	1400	120	4
	HZMH-42	1450	120	4
	HZMH-48	1500	120	4
	HZMH-54	2100	120/208-240	6
	HZMH-60	2150	120/208-240	6
Dual Shelf	HZMH-24D	1500	120	4
	HZMH-30D	2700	120/208-240	8
	HZMH-36D	2800	120/208-240	8
	HZMH-42D	2900	120/208-240	8
	HZMH-48D	3000	120/208-240	8
	HZMH-54D	4200	120/208-240	12
	HZMH-60D	4300	120/208-240	12

## Slant Models

	Model	Watts	Voltage	No. of Heat Zones
Single Shelf	HZMS-24	750	120	2
	HZMS-30	1350	120	4
	HZMS-36	1400	120	4
	HZMS-42	1450	120	4
	HZMS-48	1500	120	4
	HZMS-54	2100	120/208-240	6
	HZMS-60	2150	120/208-240	6
Dual Shelf	HZMS-24D	1500	120	4
	HZMS-30D	2700	120/208-240	8
	HZMS-36D	2800	120/208-240	8
	HZMS-42D	2900	120/208-240	8
	HZMS-48D	3000	120/208-240	8
	HZMS-54D	4200	120/208-240	12
	HZMS-60D	4300	120/208-240	12

## DIMENSIONS

### Horizontal Models (HZMH) –

Single: 27.9" - 63.9"W x 28.56"D x 21.86"H (709-1623 x 725 x 555 mm).

Dual: 27.9" - 63.9"W x 28.56"D x 32.86"H (709-1623 x 725 x 835 mm).

### Slant Models (HZMS) –

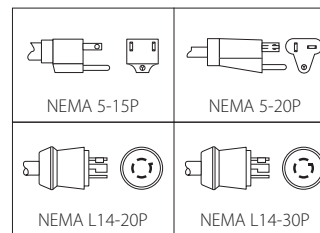
Single: 27.9" - 63.9"W x 28.13"D x 21.71"H (709-1623 x 715 x 551 mm).

Dual: 27.9" - 63.9"W x 28.13"D x 32.71"H (709-1623 x 715 x 831 mm).

## CORD LOCATION

Back center of base, on left side of control box.

## PLUG CONFIGURATIONS



## OPTIONS (NOT FOR RETROFIT)

- Designer Colors: Warm Red, Black (standard), Gray Granite, White Granite, Navy Blue, Hunter Green, Antique Copper
- LED accent lighting in support posts
- Flip-up Doors for front or back (not compatible with optional sneeze guards in same opening)

- Sneeze Guards for front or back (not compatible with optional flip-up doors in same opening)

## ACCESSORIES

- Additional Stainless Steel Divider Rods

## PRODUCT SPECS

### Designer Merchandising Warmer

The Heated Zone Merchandising Warmer shall be model ... as manufactured by the Hatco Corporation, Milwaukee, WI 53234 U.S.A.

With 24/7 service (U.S. and Canada only), the warmer shall be rated at ... watts, ... volts, and be ... inches (millimeters) in overall width. It shall consist of a

thermostatically-controlled heated base, infrared heat from above, full-view tempered glass sides, and LED display lights. The merchandiser shall have fast heating infrared ribbon elements and will have a cord with plug attached.

Accessories shall include additional stainless steel dividers rods.

HATCO CORPORATION P.O. Box 340500 Milwaukee, WI 53234-0500 U.S.A. • (800) 558-0607 • (414) 671-6350  
 Fax (800) 543-7521 • Int'l. Fax (414) 671-3976 • www.hatcocorp.com • E-mail: equipsales@hatcocorp.com