



POP-UP TOASTERS

Models TPT-120, -208, -240,

The Hatco Pop-Up Toasters are economical, fast, dependable and versatile. These toasters provide even golden toasting of a variety of bread products.

FLEXIBILITY

Perfect for self-serve buffet areas and lighter volume restaurants, diners, and cafes, the Hatco Pop-Up Toasters also make a great addition to your conveyor toaster for those non-peak periods when an occasional order of toast is needed.

All models have four self-centering 1.25" (32 mm) extra wide slots.

QUALITY

The following features assure the finest performance for years to come:

- Evenly toasts a variety of bread products including bagels, Texas toast, waffles, and English muffins.
- Durable stainless steel construction.
- Individual progressive color controls.
- Removable crumb trays for easy cleaning.
- 6' (1829 mm) cord with plug.
- A bagel selector switch for single (or double) sided toasting (excluding TPT-120).



Model TPT-208



Model TPT-120



Model TPT-208 or TPT-240



HATCO CORPORATION P.O. Box 340500 Milwaukee, WI 53234-0500 U.S.A.
 (800) 558-0607 • (414) 671-6350 • Fax (800) 543-7521 • Int'l Fax (414) 671-3976
 www.hatcocorp.com • E-mail: equipsales@hatcocorp.com

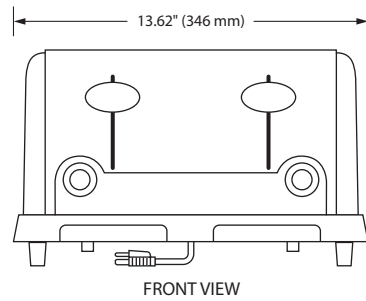
Form No. TPT Spec Sheet

Printed in U.S.A.
 May 2012

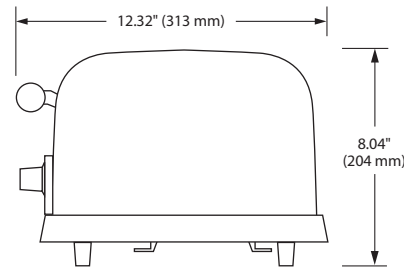


POP-UP TOASTERS

Models TPT-120, -208, -240



FRONT VIEW



SIDE VIEW

SPECIFICATIONS

Model	kW	Type	Shipping Weight
TPT-120	1.8	All	15 lbs. (7 kg)
TPT-120*	1.44	All	15 lbs. (7 kg)
TPT-208	2.7	All	15 lbs. (7 kg)
TPT-240	2.7	All	15 lbs. (7 kg)

* For Canada only.

DIMENSIONS

TPT-120: 13.62"W x 12.32"D x 8.04"H (346 x 313 x 204 mm).

Slot Opening 1.25"W x 5.5"D (32 x 140 mm).

VOLTAGE

TPT-120: 120 volts, 60 Hz, 1800 watts, 15.0 amps (uses NEMA 5-15P).

TPT-120*: 120 volts, 60 Hz, 1440 watts, 12.0 amps
(uses NEMA 5-15P)

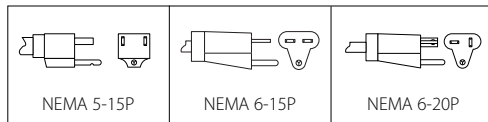
TPT-208: 208 volts, 60 Hz, 2700 watts, 13.0 amps
(uses NEMA 6-15P, NEMA 6-20P for Canada).

TPT-240: 240 volts, 60 Hz, 2700 watts, 11.3 amps
(uses NEMA 6-15P).

CORD LOCATION

Bottom, back center.

PLUG CONFIGURATIONS



PRODUCT SPECS

Pop-Up Toaster

The Pop-Up Toaster shall be Model ... rated at ... volts, and ... watts, single phase, by the Hatco Corporation, Milwaukee, WI 53234 U.S.A.

With 24/7 parts and service assistance (U.S. and Canada only). The Toaster

shall consist of a rugged stainless steel body with 4 slot openings, removable crumb trays, resistance wire elements, and a 6' (1829 mm) cord with plug attached.

HATCO CORPORATION P.O. Box 340500 Milwaukee, WI 53234-0500 U.S.A. • (800) 558-0607 • (414) 671-6350
Fax (800) 543-7521 • Int'l. Fax (414) 671-3976 • www.hatcocorp.com • E-mail: equipsales@hatcocorp.com