

Scotsman®

BGS10 - Ice Bagger

Speedy - Fill Ice Bagging Accessory

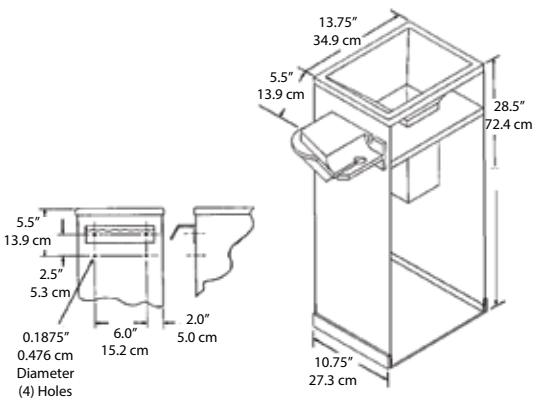


Features

- Maximize your profits from bagged ice.
- Ice is scooped into bags with spilling, eliminates the mess and save time by bagging a bag in seconds.
- Simple design, hooks over an ice bin opening and features an easy to use bag sealer.
- Can be attached to either side for right or left hand operation.
- Used with B222, B322, B330, B530, B842 and B948 bins.

Kit Includes

- Speedy-fill ice bagger
- Tape dispenser (sealer)
- 1 Roll of 180ft tape (will seal approx. 850 bags of ice)
- 1 Case of ice bags (250)
- Bracket to hook bagger onto bin



Accessories

| Model Number | Description |
|--------------|---|
| KBAG | Case of 1,000 bags - 8lb of ice capacity per bag. |
| KTAPE | One roll 180ft (54.9m) |
| KSEALER | Tape Sealer |



Specifications

W x D x H: 19.25" x 10.75" x 28.5"
(48.9 x 27.3 x 72.4 cm)

Shipping Weight: 25lb / 11kg



Certification



Warranty

- 2 years factory parts and labor.
- Warranty valid in North, South & Central America for commercial installations.
- Contact factory for warranty in other regions.

BGS10 - Ice Bagger

Scotsman®

- 101 Corporate Woods Parkway, Vernon Hills, IL 60061 •
- 1-800-SCOTSMAN • Fax: 847-913-9844 • www.scotsman-ice.com • customer.relations@scotsman-ice.com •