

ECC Series Remote Condensing Unit

Air Cooled Remote Condensing Unit

Preliminary

Features

- Energy efficient components save money on utility costs.
- Better corrosion resistance increases life of unit.
- One piece design makes installation and service easier.
- Maximizes ice production by dissipating heat away from ice machine.
- Minimizes air conditioning load.
- Allows for quiet operation in dining and working environments.
- Able to operate in wide outdoor temperature range from -20 ° F to 120 ° F.



ECC Series Condensing Unit -
Dedicated condensing unit for Prodigy Eclipse®

Modular Ice Head Options

Modular Ice Head Options	Condenser Unit	24 hr production (lb/kg)	
		90 ° Air/70 ° Water	70 ° Air/50 ° Water
EH222SL-1C	ECC0800-32A	700/318	850/386
	ECC0800-3A	700/318	850/386
	ECC0800-6A	700/318	850/386
	ECC1410-32A	865/393	1030/468
	ECC1410-3A	865/393	1030/468
EH330SL-1C	ECC1200-32A	1200/545	1330/604
EH430SL-1C	ECC1410-32A	1200/545	1425/647
	ECC1410-3A	1200/545	1425/647
	ECC1800-3A	1600/727	1775/806

Line Sets

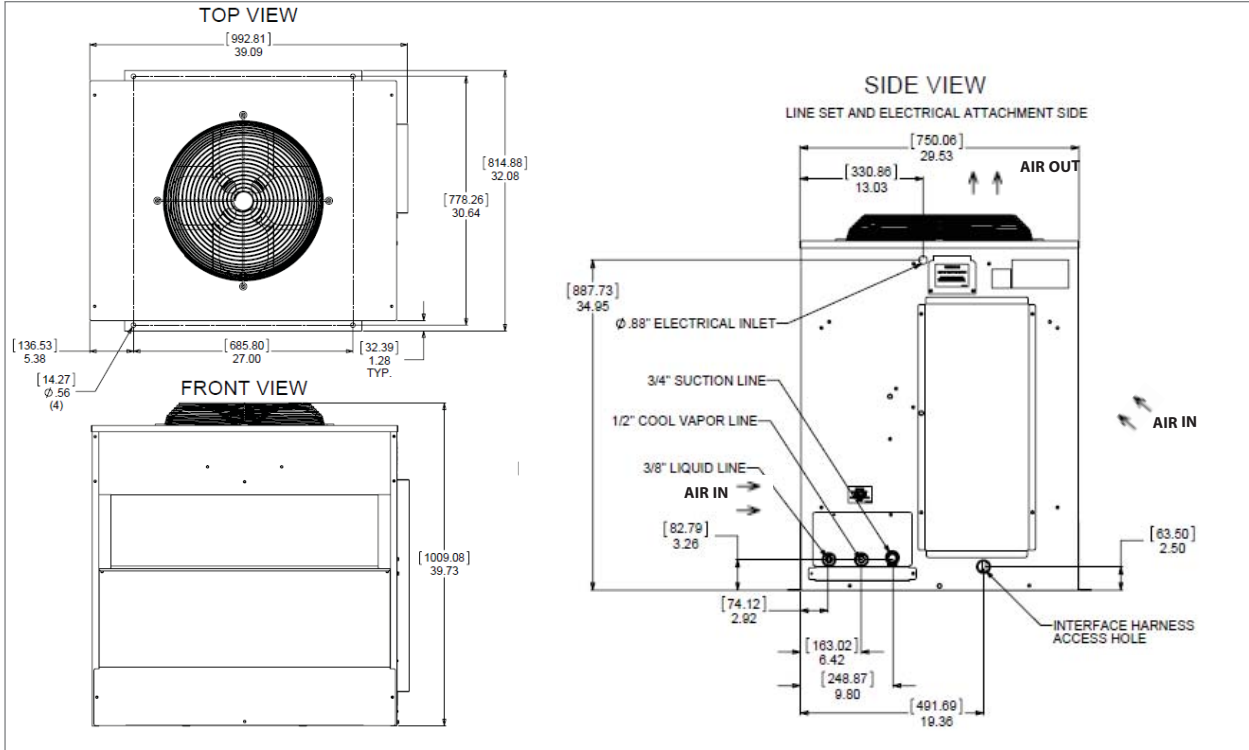
Choice of insulated refrigerant line sets. Available in 20 ft., 35 ft., 50 ft. and 75 ft. lines. Refrigerant and brazing required. Please consult ice machine users manual for installation guidelines.



Warranty

- 3 years parts and labor on all components.

Warranty valid in North, South & Central America. Contact factory for warranty in other regions.



ECC Series Remote Condensing Unit

ECC Series

Operating Requirements: Electrical Voltage Min. -10% Max. +10%

Model Number	Overall Length (in)	Mounting Hole Spacing (in)	Depth (in)	Height (in)	Basic Electrical Circuits	Max. Fuse Size or HACR Circuit Breaker (amps)	Circuit Wires	Min. Circuit Ampacity	Contains Headmaster?	Shipping Weight (lb)	Shipping Carton L x W x H
ECC0800-32A	39.09	27.00	32.06	39.75	208-203/60/1	20	2	14.8	Yes	310	41.63" X 33.38" X 45.13"
ECC0800-3A	39.09	27.00	32.06	39.75	208-230/60/3	15	3	10.6	Yes	310	41.63" X 33.38" X 45.13"
ECC0800-6A	39.09	27.00	32.06	39.75	230/50/1	20	2	16.8	Yes	310	41.63" X 33.38" X 45.13"
ECC1410-32A	39.09	27.00	32.06	39.75	208-230/60/1	30	2	14.5	Yes	310	41.63" X 33.38" X 45.13"
ECC1410-3A	39.09	27.00	32.06	39.75	208-230/60/3	20	3	9.1	Yes	310	41.63" X 33.38" X 45.13"
ECC1200-32A	39.09	27.00	32.06	39.75	208-230/60/1	30	2	17.8	Yes	310	41.63" X 33.38" X 45.13"
ECC1800-3A	39.09	27.00	32.06	39.75	208-230/60/3	30	3	19	Yes	310	41.63" X 33.38" X 45.13"

Note: These units are designed to be controlled by the ice machines they are connected to.

Accessories

- 3BRE20-EH - 25- ft. insulated line set. Refrigerant and brazing required
- 3BRE35-EH - 35 ft. insulated line set. Refrigerant and brazing required
- 3BRE50-EH - 50 ft. insulated line set. Refrigerant and brazing required
- 3BRE75-EH - 75 ft. insulated line set. Refrigerant and brazing required
- KSLT075 - Suction line trap for locating ice maker more than 20 ft. below condenser unit

Scotsman Ice Systems • 775 Corporate Woods Parkway • Vernon Hills, IL 60061

1-800-SCOTSMAN

Fax: 847-913-9844

E-mail: customer.relations@scotsman-ice.com

www.scotsman-ice.com

