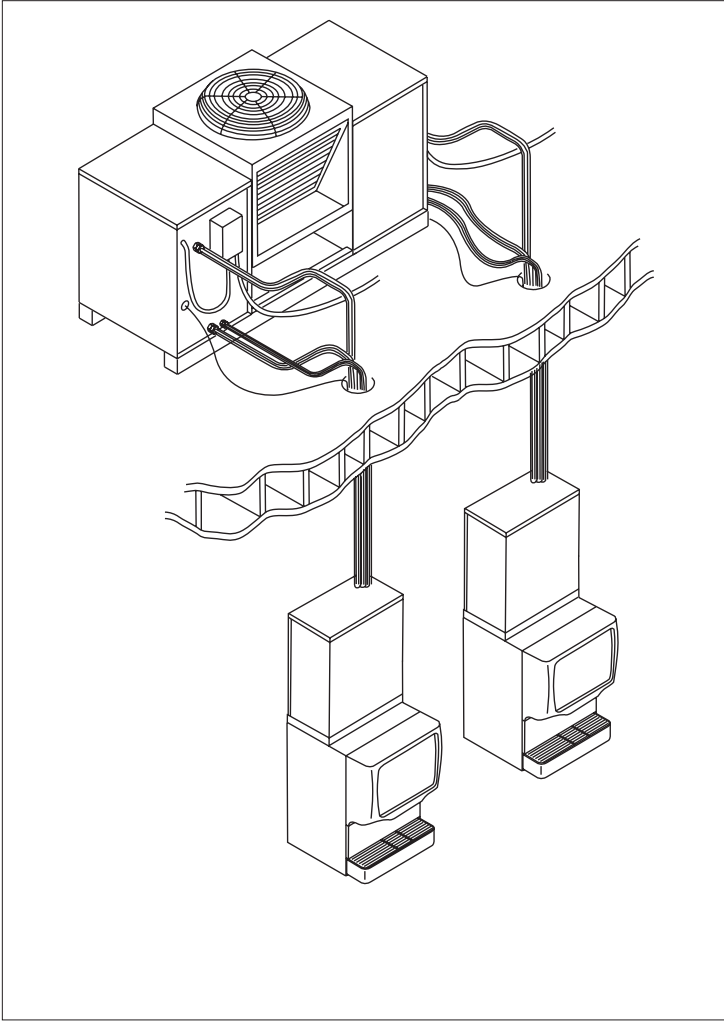
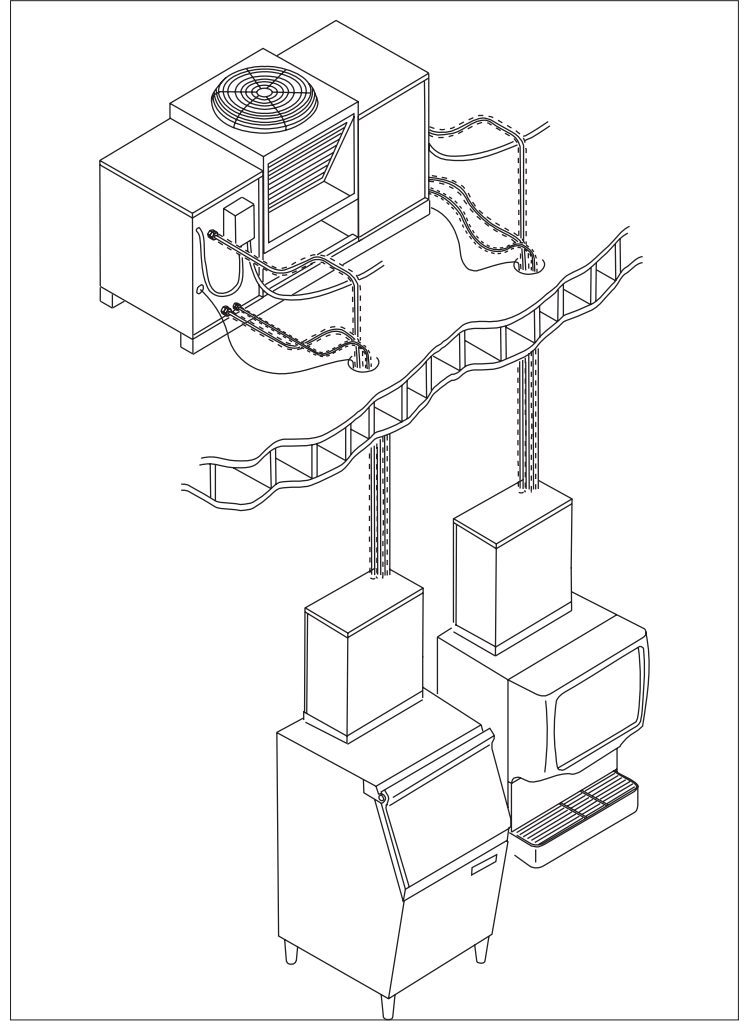


Two Circuit Remote Condenser for Eclipse Systems



Two Circuit System, Shown With Two Ice and Beverage Dispensers

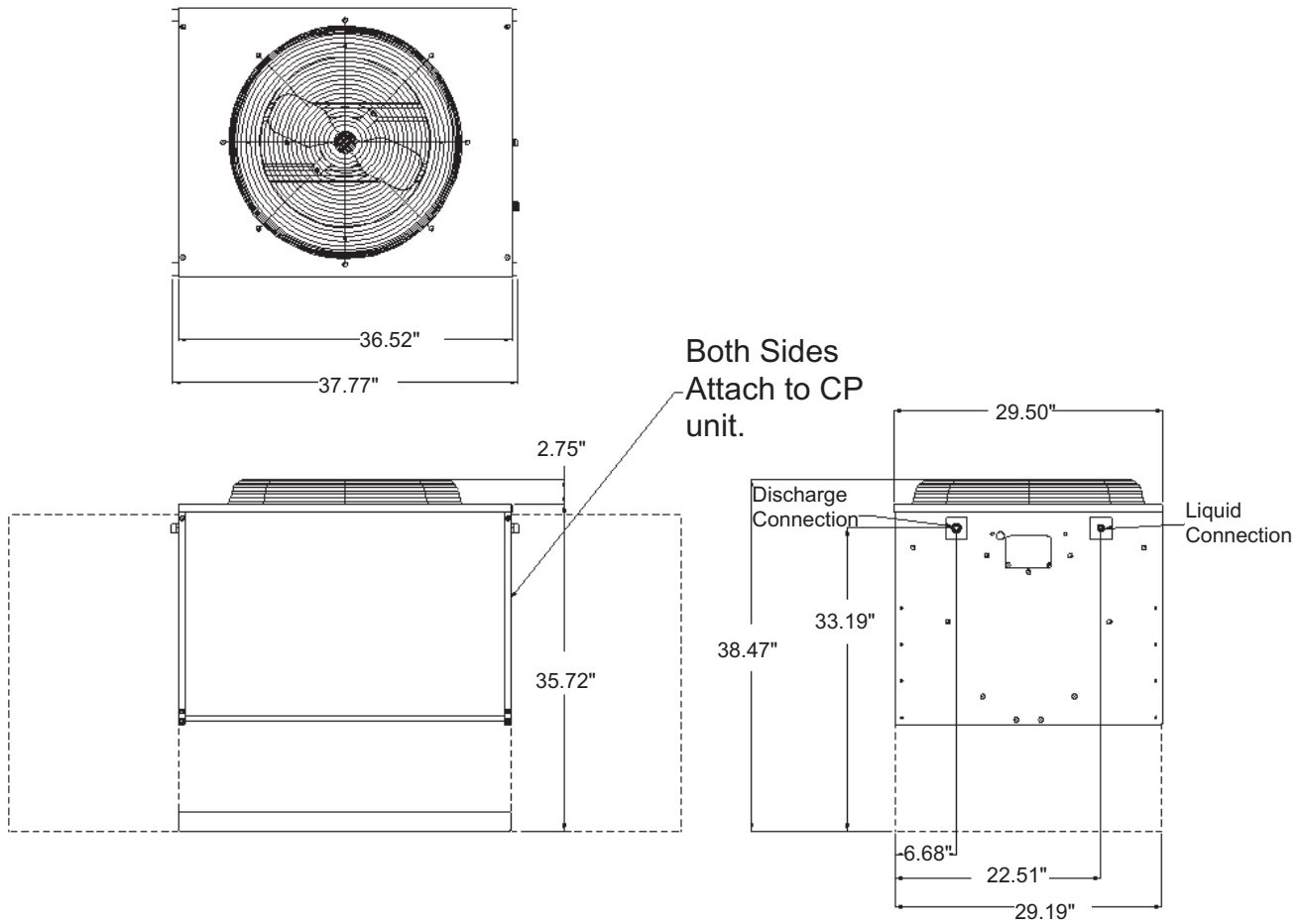


Two Circuit System, Shown With Ice Storage Bin and Beverage Dispenser

- Eclipse technology locates the ice machine compressor and condenser away from the ice making area, moving noise and heat away from an area where they might be objectionable.
- Two refrigeration circuits in one condenser saves equipment cost and space over two separate condensers.

Dual-Loop Remote Condenser Specifications

Preliminary



Model Number	Voltage	Number of Circuits	Use with one or two	Max Fuse Size*	Minimum Circuit Ampacity*	Contains Headmaster?	Shipping Weight
ER2C6810-32A	208-230/60/1	2	600, 800, 1000 Eclipse	15	1.9	No	104 lb.
ER2C1316-32A	208-230/60/1	2	1300 or 1600 Eclipse	15	1.9	No	104 lb.

* The minimum circuit ampacity and maximum fuse size markings apply only when the condenser is not connected to a UL Listed ice machine. Condenser fan is powered by a single CP unit which is rated for use with the condenser fan motor. When two CP units are connected to one condenser, the fan motor will be powered continuously.

Headmaster included with CP unit.

Condenser supplied with quick connect fittings for rapid assembly to CP unit.

Air discharges out the top.

775 Corporate Woods Parkway, Vernon Hills, IL 60061

www.scotsman-ice.com

800-SCOTSMAN

